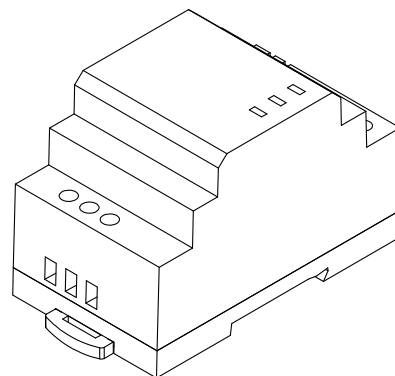


## FEATURES

The PS-K640 is a compact 640 mA KNX power supply with integrated choke which provides the safety extra-low voltage required for KNX installations. A secondary (unchoked) 30 VDC power output is available for devices that need an auxiliary power supply in addition to the power provided via the KNX bus.

- KNX power supply with integrated choke
- Ancillary 30 VDC power output (unchoked)
- Safety extra-low voltage (SELV)
- 640 mA rated output current
- 230 VAC input, 50/60 Hz
- Short-circuit, overload, and over voltage protection
- KNX bus RESET button
- LED indicators for normal operation, bus reset, and overload
- 35mm DIN-rail mounting
- Ultra-compact form factor (3 DIN rail units)

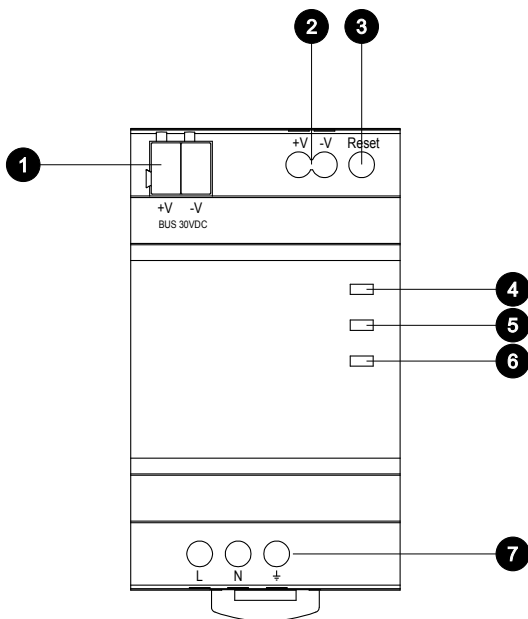


## TECHNICAL SPECIFICATIONS

|                               |                                   |   |  |  |
|-------------------------------|-----------------------------------|---|--|--|
| <b>Mechanical</b>             | Form factor                       | 35 mm DIN-rail mount enclosure (EN 50022)   |  |  |
|                               | Enclosure material                | Plastic ABS – V0  |  |  |
|                               | Degree of protection              | IP20 (DIN EN 60529)   |  |  |
|                               | Dimensions                        | 52.5 x 90 x 58.5 mm   |  |  |
|                               | Weight                            | 215 g   |  |  |
| <b>Environment</b>            | Storage temperature               | -40..85 °C  |  |  |
|                               | Operating temperature             | -30..50 °C  |  |  |
|                               |                                   | -30..70 °C @ 60% load   |  |  |
| Relative humidity             | 20..95% (non-condensing)          |   |  |  |
| <b>Input</b>                  | Supply voltage                    | 180-264 VAC, 47-63 Hz   |  |  |
|                               | Power consumption                 | Typ. 0.22A @ 230 VAC  |  |  |
|                               | Connection                        | Screw terminals   |  |  |
|                               | Recommended wiring                | Conductor section 0.5 to 4 mm <sup>2</sup>  |  |  |
| <b>Output</b>                 | KNX bus output                    | Voltage   | 30 VDC SELV (choked)                       |  |
|                               |                                   | Connection  | Standard KNX TP1 bus connector             |  |
|                               | Ancillary output (aux)            | Voltage   | 30 VDC SELV (unchoked)                     |  |
|                               |                                   | Connection  | Screw terminals                            |  |
|                               |                                   | Rec. wiring   | Conductor section 0.5 to 4 mm <sup>2</sup> |  |
|                               | Rated current (I <sub>MAX</sub> ) | I <sub>BUS</sub> + I <sub>AUX</sub> ≤ 640 mA  |  |  |
|                               | Rated power                       | 19.2 W  |  |  |
|                               | AC failure backup time            | 200 ms at full load   |  |  |
|                               | Overload protection               | 200% rated output power   |  |  |
| Over voltage protection       | 33 VDC                            |   |  |  |
| <b>Control and indicators</b> | Buttons                           | KNX bus RESET button  |  |  |
|                               | LED indicators                    | ON (green): Normal operation<br>RESET (red): RESET button pressed<br>I > I <sub>MAX</sub> (red): Overload / short circuit |  |  |
| <b>Compliance</b>             | Safety standards                  | EN61558-1, EN61558-2-16   |  |  |
|                               | EMC emissions                     | EN50491-5-2, 5-3, -3  |  |  |
|                               |                                   | EN61000-3-2, -3-3   |  |  |
| EMC immunity                  | EN50491-5-2, 5-3                  |   |  |  |
|                               | EN61000-4-2, 3, 4, 5, 6, 8, 11    |   |  |  |

All parameters are measured at 230 VAC input, rated load, and 25°C ambient temperature, unless otherwise stated.  
 Specifications subject to change without notice.

## ELEMENTS



1. KNX bus connector
2. Ancillary 30 VDC output
3. RESET button
4. ON LED indicator
5. RESET LED indicator
6. Overload / short-circuit LED indicator
7. External (mains) power supply

## IMPORTANT SECURITY ADVICE

- This device is designed exclusively for use in indoor environments; it should be installed on a 35mm DIN rail inside an electrical cabinet or electrical distribution box
- Make sure that there is adequate ventilation in the installation location to avoid overheating
- Disconnect mains power during installation
- Once installed, the device should not be accessible from outside
- Do not open the device! Faulty or defective units must be returned to the manufacturer for repair or replacement



**IMPORTANT:** Only qualified electricians should install, service, or manipulate this equipment. Existing regulations for the prevention of accidents must be observed, as well as any national or local codes and regulations and standard safety precautions.