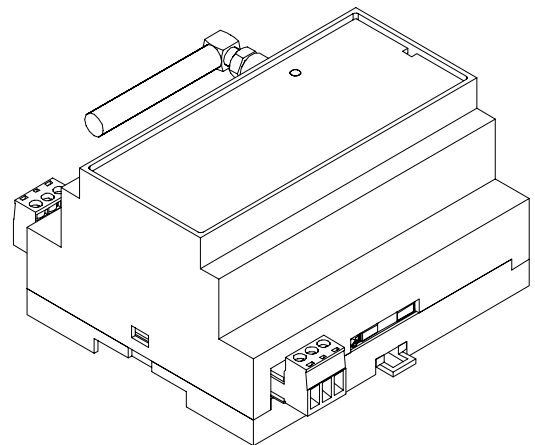


FEATURES

Expansion module for Iddero touch panels and Iddero Home Server. Allows for remote access to the installation from a GSM terminal, providing functionality such as alarm and event notification, or remote control of devices.

- Flexible execution of actions, scenes, and status requests through SMS messages
- Execution of configured actions upon reception of a lost calls
- Notification of alarms and events through SMS messages
- Authorized numbers list with configurable permissions
- DIN-rail mounted
- Pluggable terminal blocks to simplify wiring during the installation process
- Power supply shared with touch panel or Iddero Home Server
- Low power consumption



TECHNICAL SPECIFICATIONS

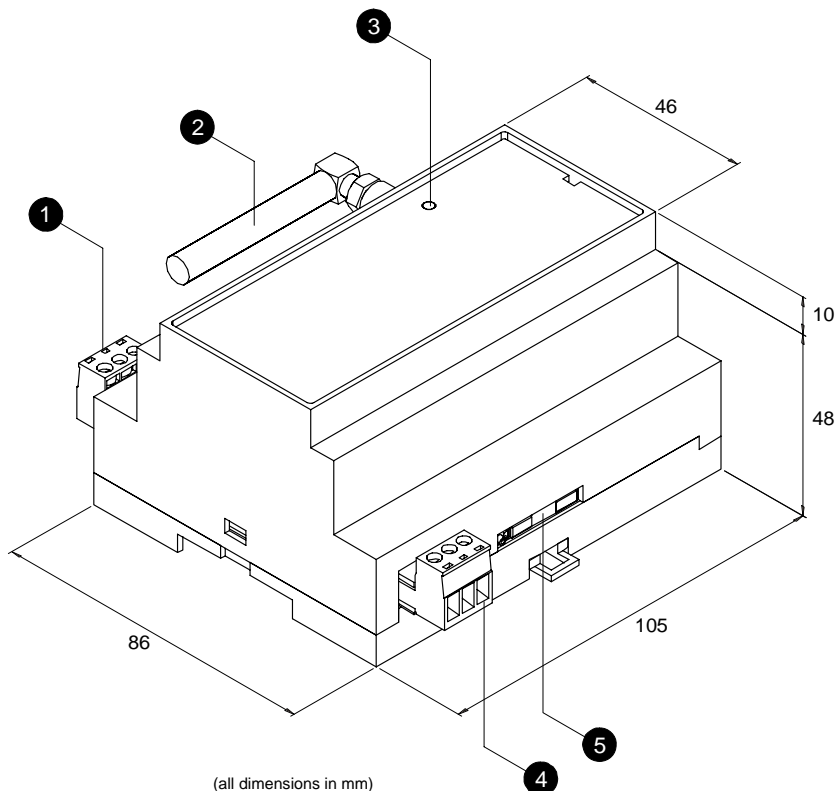
Mechanical	Form factor	35 mm DIN-rail mount enclosure (EN 50022)
	Enclosure material	Self-extinguishing material, UL94-V1 or better
	Degree of protection	IP20 (DIN EN 60529)
	Dimensions	105 x 86 x 58 mm (6 DIN elements)
	Weight	150 g
Environment	Storage temperature	-40..85 °C
	Operating temperature	0..70 °C
	Relative humidity	10..90% (non-condensing)
Power supply	Supply voltage	Nominal supply voltage 12 VDC
	Power consumption	1W typical, 3.8W maximum
	Connection	Pluggable terminal block, 5.08 mm pitch
	Recommended wiring	Conductor section 1.5 mm ² , max. length 3 m
Communications	Type	Communications protocol over RS-485 bus
	Connection	Pluggable terminal block, 5.08 mm pitch
	Recommended wiring	Twisted pair, 0.2 mm ² section (CAT5)
RF interface	GSM type	Compliant with ETSI GSM phase 2/2+
	GSM band	Quad band EGSM 850 / 900 / 1800 / 1900 MHz
	Antenna	Right angle FME F antenna included, G = 0 dB
	Output power	RF output power: <ul style="list-style-type: none"> ▪ Class 4 (2 W) for EGSM850/900 ▪ Class 1 (1 W) for GSM1800/1900
Miscellaneous	SIM card holder	3V SIM card holder (SIM card not included)
	Status indicator	LED status indicator
Compliance	Directives	Directive 1999/5/EC Directives 2002/95/EC and 2002/96/EC
	Standards	ETSI EN 301511 (GSM systems) ETSI EN 301489-1/-7 (Electromagnetic compatibility and radio spectrum matters) EN 60950-1, EN 60215 (Security)

Specifications subject to change without notice.

DIMENSIONS

Main elements:

1. Power supply connector
2. GSM antenna
3. LED status indicator
4. Communications connector
5. SIM card holder

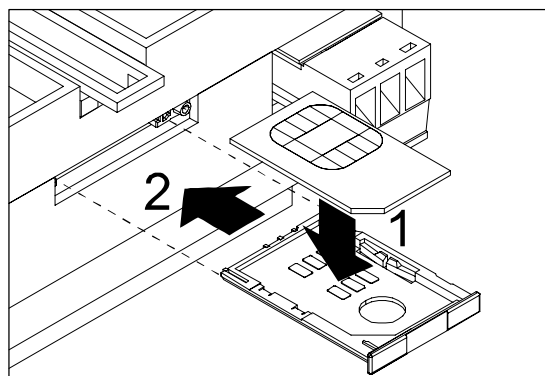
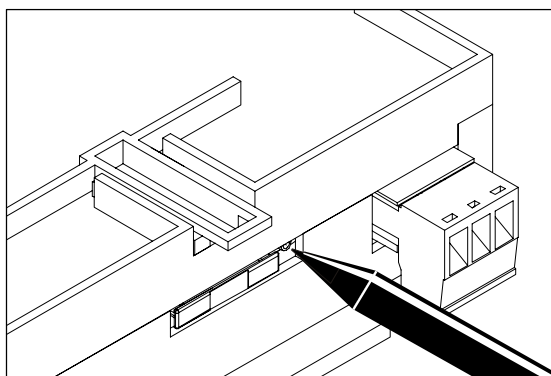


INSTALLATION INSTRUCTIONS

Insertion of SIM card

Before using the GSM module, a compatible SIM card must be inserted. The SIM card must be active, and the PIN access code must have been disabled. Both prepaid and postpaid SIM cards can be used. If using a prepaid SIM card, make sure there is enough credit left. In order to insert the SIM card, please follow these steps:

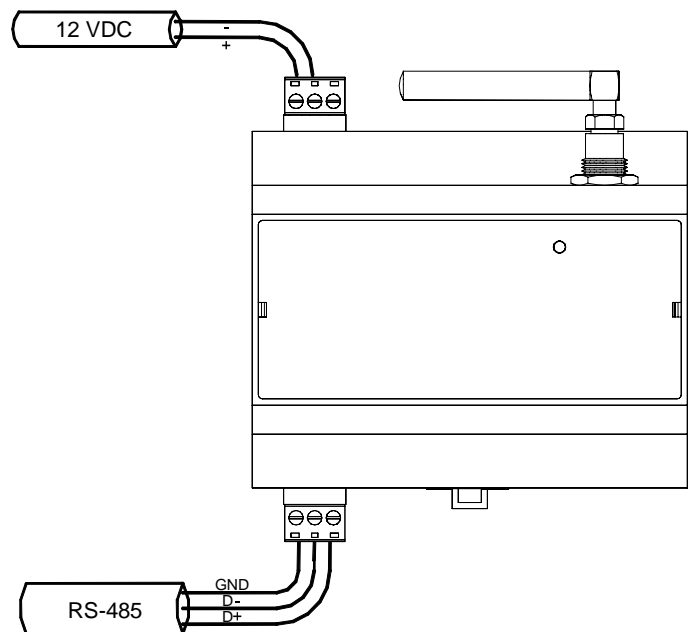
- a) Make sure the GSM module is disconnected from power
- b) Place the GSM module with the top side facing down
- c) Use a ball pen or paper clip to press the eject button on the SIM holder. The SIM holder will be unlocked.
- d) Take the SIM holder out completely, place the SIM card on the tray, and put the SIM holder back into the slot.



Connections

Power supply connector (12 VDC)		
Pin	Description	
1	Do not connect	
2	Power supply return	
3	+12 VDC	

Communications connector (RS-485)		
Pin	Description	
1	Signal ground	
2	DATA-	
3	DATA+	



LED status indicator

Once power supply is connected, the LED indicator shows the current status of the GSM module.

LED mode	GSM module status
Permanently off	The GSM module is not operative
Long flash: 600 ms on / 600 ms off	The GSM module is not logged to the network: <ul style="list-style-type: none"> ▪ No SIM card inserted ▪ SIM card does not have the PIN code disabled ▪ Insufficient network signal strength ▪ Network search / login in progress
Short flash: 75 ms on / 3 s off	The GSM module is logged to the network and fully operative

IMPORTANT: Only qualified electricians should install, service, or manipulate this equipment. Existing regulations for the prevention of accidents must be observed, as well as any national or local codes and regulations and standard safety precautions.