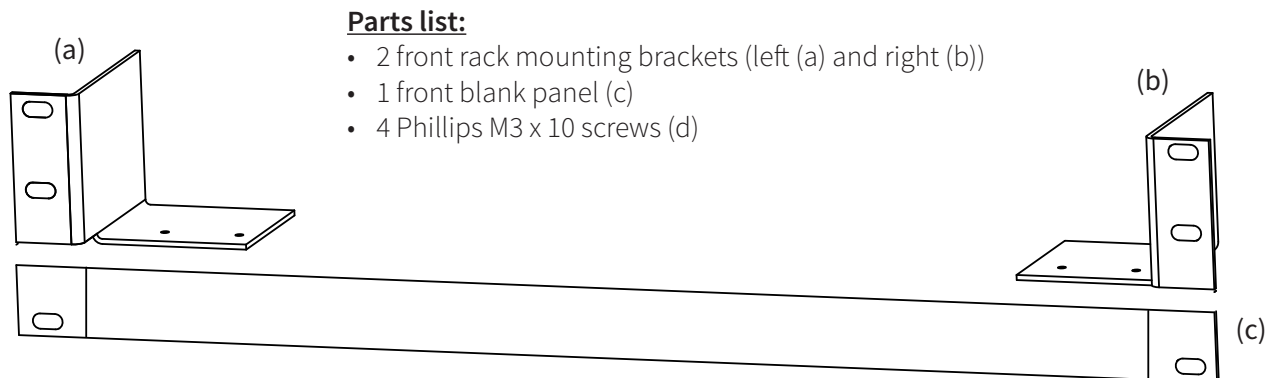


19" Rack Mount for Asano P4 Installation Manual

The **rack mounting kit 719-04** is used to install the **Asano P4 (700-04)** into an industry standard 19-inch equipment rack. This manual contains the instruction for installing the kit.



IMPORTANT

The complete set is two rack units tall. When installing the Asano P4, always allow sufficient free air flow around the enclosure. Never cover the rear cooling fan or the air intake holes located at the bottom of the Asano P4 (e). The blank panel must always be installed below the Asano P4.

How to install:

1. Determine the two units rack space for the Asano P4. Prepare the rack by installing 3 cage or clip nuts (not included) at the front of the rack.
2. Place the Asano P4 upside down on a flat, stable surface with the front facing to you.
3. Unscrew and remove the four feet (f) from the bottom of the Asano P4.
4. Secure both the left and right rack mount brackets (a and b) to the Asano P4 using the four Phillips screws.
5. Mount the Asano P4 into the 19" rack using the rack screws (not included) to the corresponding cage nuts.
6. Mount the front blank panel underneath the Asano P4.

