



# I/O MODULE

FOR DIVUS CIRCLE AND DIVUS CIRCLE small

## TECHNICAL DATA

### I/O MODULE

#### CHARACTERISTICS

The I/O module can control external loads such as electric locks (variable load between 250 mA and 1.5A at 12-24V) and standard lightings (12 - 220V). The module is connected via RS 485 to the master DIVUS CIRCLE or CIRCLE small device and is able to execute the commands programmable on the CIRCLE device.

#### HARDWARE DESCRIPTION

#### SPECIFICATION

POWER SUPPLY	12-50 V DC 12-35 V AC
--------------	--------------------------

OPERATING TEMPERATURE RANGE	-20°C ÷ 70°C
-----------------------------	--------------

#### CONNECTIVITY

RS 485	Max. distance 1km Max Bit rate: 115200 bps Terminal resistance settable via switch
--------	--

#### INPUTS/OUTPUTS

DIGITAL INPUTS	Amount: 4 optoisolated Input type: NPN Type of connection: open-drain, com to GND
----------------	---

OUTPUTS	Amount: 2 Output voltage: 12/24 V DC settable depend on supply voltage board Maximum current deliverable: 1,5 A (total)
---------	---

RELAYS	Amount: 2 Maximum current: 6A resistive load Maximum tension: 250 VAC, 25 VDC Form C relays are SPDT and break the connection with one throw before making contact with the other (break-before-make)
--------	--



# I/O MODULE

FOR DIVUS CIRCLE AND DIVUS CIRCLE small

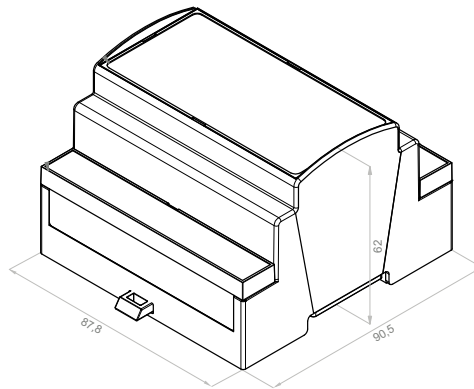
TECHNICAL DATA

I/O MODULE

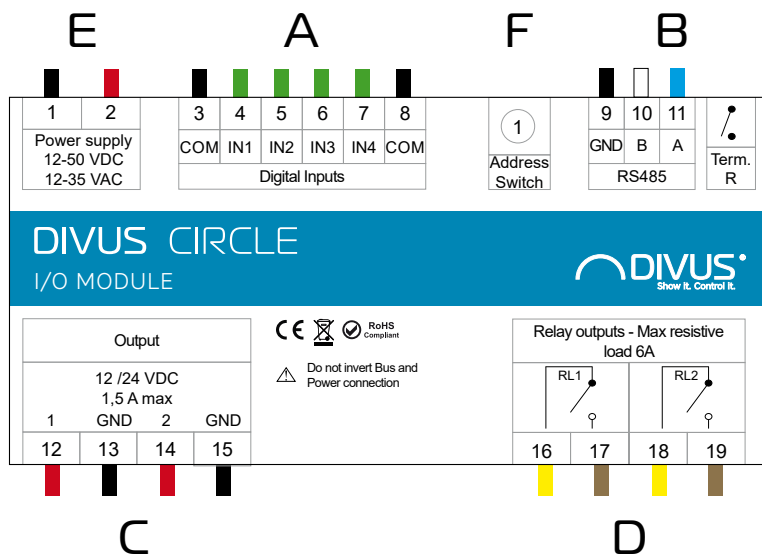
**MECHANICAL DESCRIPTION**

**DIN RAIL MOUNTING BOX**

The container for electronic instruments that can be hooked onto the DIN rail (EN60715) has been chosen according to DIN 438880 standards, as shown in the figure. It's a 5 modules unit.



**CONNECTION DETAILS**



A.	4 digital inputs
B.	RS-485
C.	2 Programmable outputs 12/24 VDC ( max. 1.5 A total) on both ports
D.	2 Relay outputs to connect light, FCU, roller shutter motors, to any other controlled load.
E.	Power supply
F.	Rotary switch for modbus address