

DIVUS CIRCLE small Ø140mm



DATASHEET: APRIL 2018

# DIVUS CIRCLE small

DIVUS CIRCLE small | DIVUS CIRCLE small +

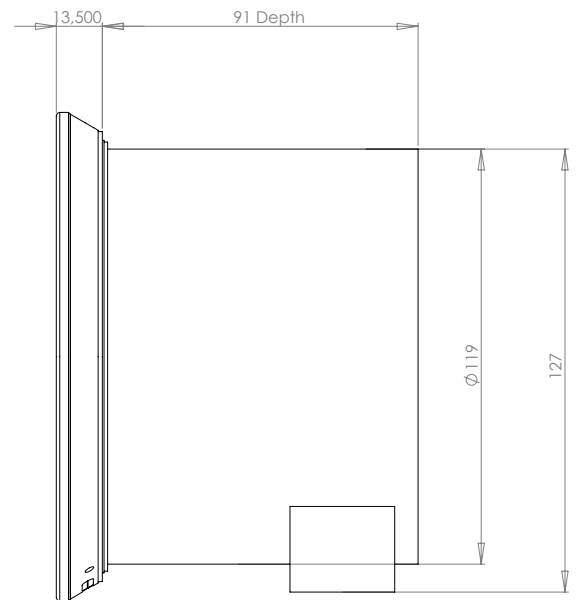
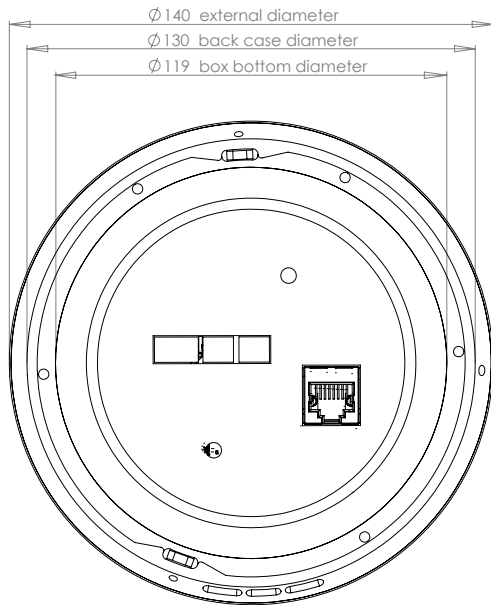
VER.1



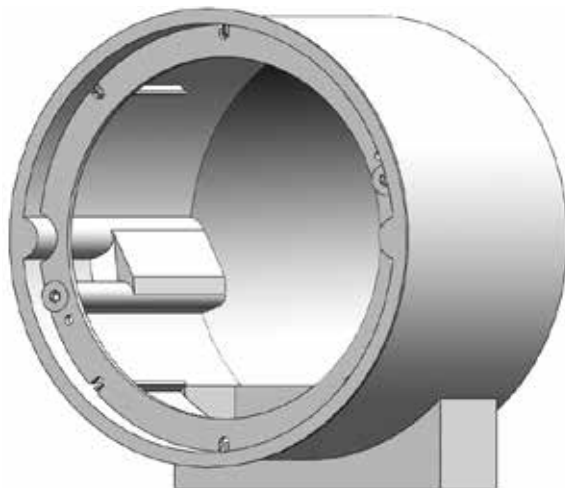
# DIVUS CIRCLE small

OUTDOOR INTERCOM STATION FOR WALL MOUNT  
 TECHNICAL DATA

	DIVUS CIRCLE small	DIVUS CIRCLE small +
<b>FUNCTIONALITIES</b>		
Main functions	Voice communication over SIP/VoIP Video streaming IP cam (MJPEG) Optional: RFID reader (opens door over card / badge) LED light ring for illumination and function signalling	
<b>DIMENSIONS</b>		
DIVUS CIRCLE small	Glass external diameter: 140 mm Depth (protruding from wall) with glass thickness (4mm): 13,5 mm	



Wall mounting box (flush)	Depth: 91 mm Diameter-box bottom: 119 mm	
---------------------------	---	--



# DIVUS CIRCLE small

## OUTDOOR INTERCOM STATION FOR WALL MOUNT TECHNICAL DATA

	DIVUS CIRCLE small	DIVUS CIRCLE small +
<b>DESIGN</b>		
	Compact device for wall mount; noiseless and without any rotating part, low power consumption. Smooth black circular glass surface. Aluminium back case	
Housing	Metal barrel for flush-mounting	
Protection	IP54 in conjunction with suitable housings / no direct sunlight	
<b>ENVIRONMENT CONDITIONS</b> (in protected outdoor areas)		
Temperature	-15°C to +40°C max.	
Relative humidity	15% to 80%	
<b>POWER SUPPLY VOLTAGE</b>		
Power Supply Voltage	48 VDC / Poe+	
<b>CONNECTIVITY</b>		
	RJ45 ethernet RS485 serial interface (connects to the I/O-MODULE)	
<b>CAMERA</b>		
Sensor	1/3 CMOS sensor	
Resolution	1920x1080. 1-25 fps	
	Night vision with IR LEDs	
Lens	Wide-angle fish-eye lens; 1,7 mm, f 1/2,5"	
Coding Format	MJPEG	
<b>AUDIO</b>		
Inout/output	Microphone and loudspeaker (5W)	
Built-in functions	Acoustic echo cancelling, full duplex	
<b>RFID (OPTIONAL)</b>		
Standard	Mifare / ISO 14443A	
Frequency	13,56 MHz	
<b>PROXIMITY SENSOR</b>		
Detection Range	10 cm ÷ 50 cm	
<b>LED</b>		
Luminosity Intensity	surrounding ring of 30 white LEDs; luminance on white: 710-1400 mcd each	
<b>STANDARDS</b>		
	CE conformity	
<b>OUTPUTS</b>		
	Through I/O module (see separated data sheet)	
<b>DISPLAY</b>		
Display	NO display	Graphic OLED, 128 x 32 white on black
Touch	NO touch	Touch: 4 segments



# I/O MODULE

FOR DIVUS CIRCLE AND DIVUS CIRCLE small

## TECHNICAL DATA

I/O MODULE	
<b>CHARACTERISTICS</b>	
<p>The I/O module can control external loads such as electric locks (variable load between 250 mA and 1.5A at 12-24V) and standard lightings (12 - 220V). The module is connected via RS 485 to the master DIVUS CIRCLE or CIRCLE small device and is able to execute the commands programmable on the CIRCLE device.</p>	
<b>HARDWARE DESCRIPTION</b>	
<b>SPECIFICATION</b>	
POWER SUPPLY	12-50 V DC 12-35 V AC
OPERATING TEMPERATURE RANGE	-20°C ÷ 70°C
<b>CONNECTIVITY</b>	
RS 485	Max. distance 1km Max Bit rate: 115200 bps Terminal resistance settable via switch
<b>INPUTS/OUTPUTS</b>	
DIGITAL INPUTS	Amount: 4 optoisolated Input type: NPN Type of connection: open-drain, com to GND
OUTPUTS	Amount: 2 Output voltage: 12/24 V DC settable depend on supply voltage board Maximum current deliverable: 1,5 A (total)
RELAYS	Amount: 2 Maximum current: 6A resistive load Maximum tension: 250 VAC, 25 VDC Form C relays are SPDT and break the connection with one throw before making contact with the other (break-before-make)



# I/O MODULE

FOR DIVUS CIRCLE AND DIVUS CIRCLE Small

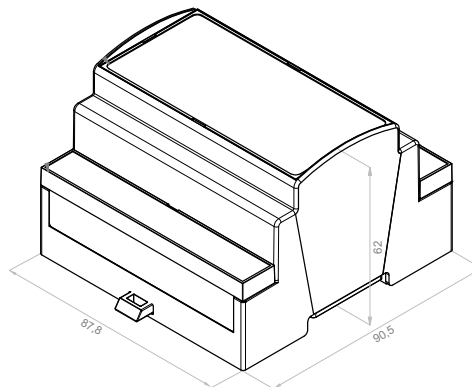
TECHNICAL DATA

I/O MODULE

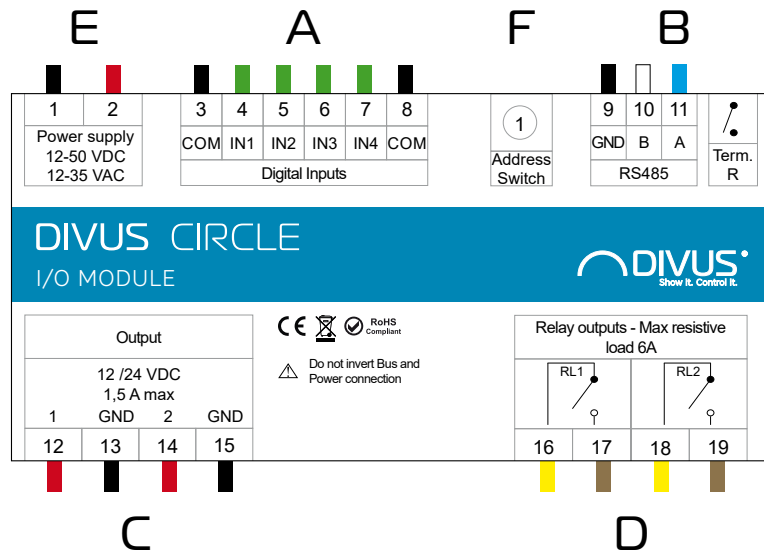
**MECHANICAL DESCRIPTION**

**DIN RAIL MOUNTING BOX**

The container for electronic instruments that can be hooked onto the DIN rail (EN60715) has been chosen according to DIN 438880 standards, as shown in the figure. It's a 5 modules unit.



**CONNECTION DETAILS**



A.	4 digital inputs
B.	RS-485
C.	2 Programmable outputs 12/24 VDC ( max. 1.5 A total) on both ports
D.	2 Relay outputs to connect light, FCU, roller shutter motors, to any other controlled load.
E.	Power supply
F.	Rotary switch for modbus address