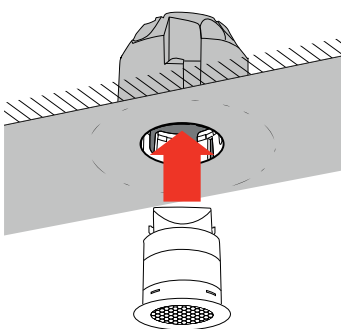
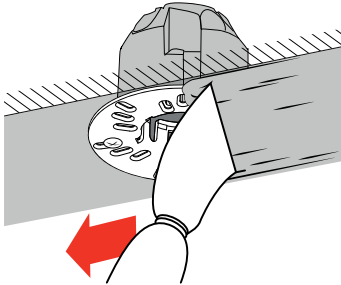
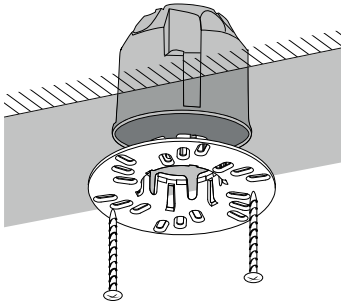
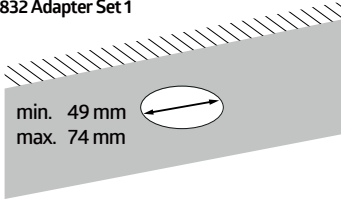




- Montage-Anleitung
- Mounting instructions

- Instructions de montage
- Montage instructies

1. 92832 Adapter Set 1**2. 92833 Adapter Set 2**