

Safety instructions

Before installing the unit, read this manual thoroughly and retain it for future reference.
The device should be installed in compliance with official regulations valid in country of use.
The device may only be installed and connected by qualified electricians.
Ensure that electricity is switched off when installing or unmounting the device.
Do not open, dismantle, alter or modify the device.

Components

Insert RJ45

0403-03 Cat5e
0403-13 Cat6

Compatible Socket covers

(not included)

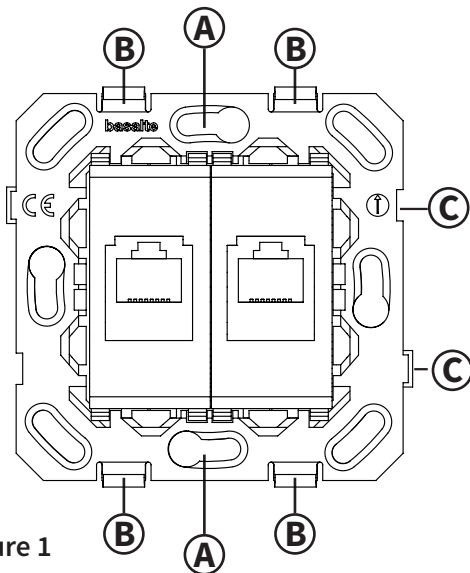
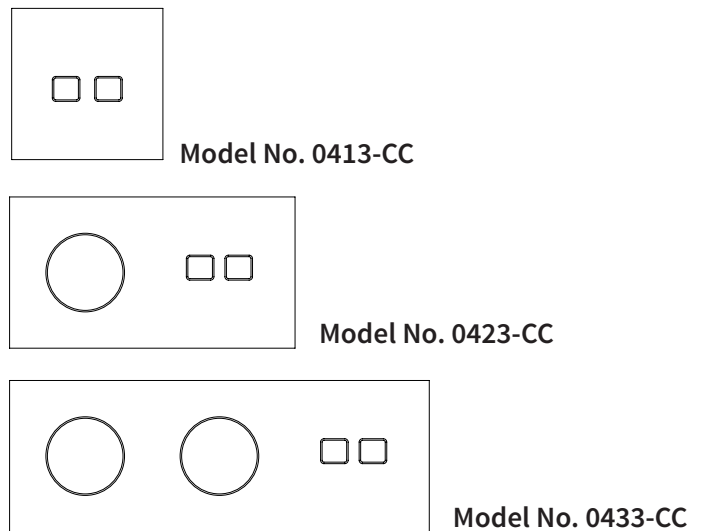


figure 1




- A Opening to fix the outlet to the wall box
- B Clips to mount the cover plate
- C Alignment guides for 2-gang and 3-gang installations

Wall boxes

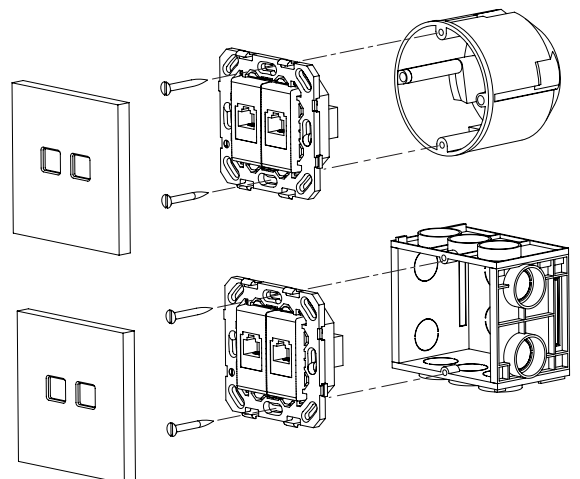
The sockets should be installed in European wall boxes with screws.
The distance between the screws needs to be 60mm, and a minimal depth of 45mm is required.
Square wall boxes size 60 x 60 mm are compatible with the sockets.
Round wall boxes should have an inner diameter of 64mm or more.

The following round wall boxes are compatible with the Basalte sockets :

- Helia round with cut hole 68 mm (type 247, 261).
- Kaiser round with cut hole 68 mm (type 9063-xx, 9064-xx, 9062-xx).
- Legrand batibox round (ref 080051, 080061, 080052, 080053).
- ABB round Hafobox MD4050 and hollow wall boxes HW-50, HW50-G, HW52-F (Except HW52-F IGD and HW52-F BW).

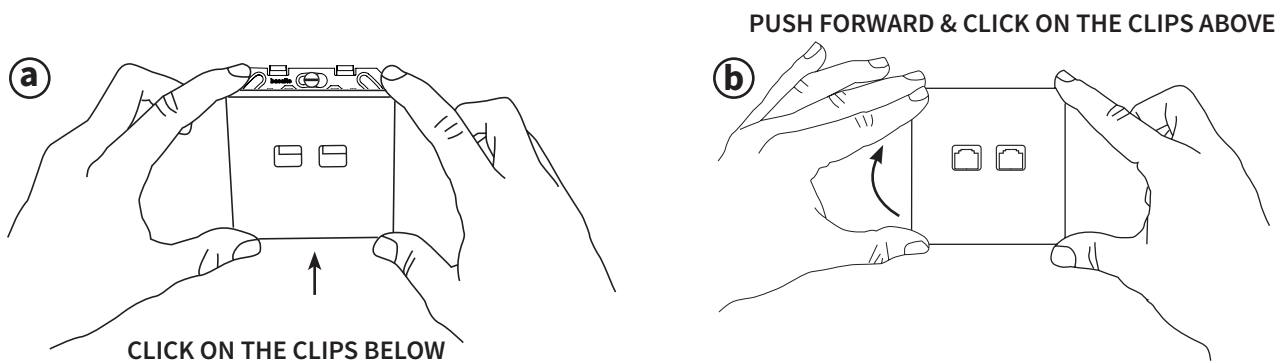
 When using other round boxes, please verify the compatibility upfront.
Do not use following wall boxes:

- Helia O-range
- Kaiser (1055-xx – 1056-xx)
- ABB 3040
- ABB HW52-F IGD and HW52-F BW

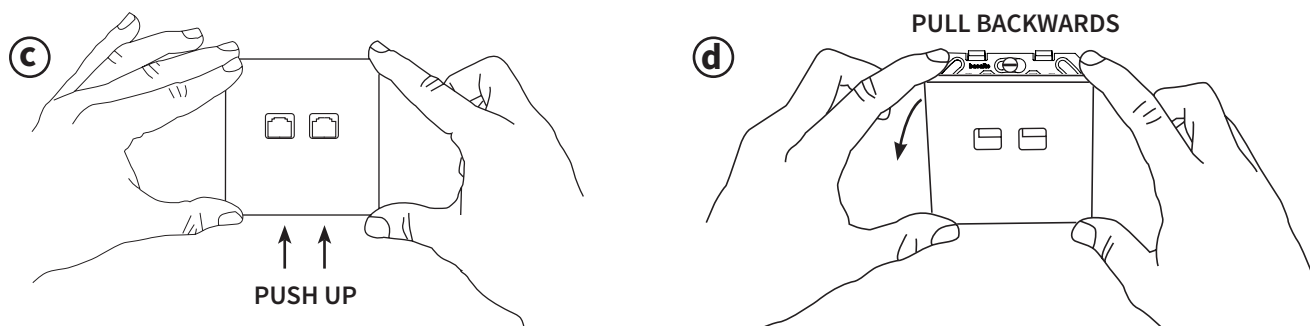


Installation instructions

1. Install square wall box (60mm) or compatible round wall box.
Wall box should have screws with a vertical distance of 60mm and minimal depth of 45mm.
For 2-gang and 3-gang installations, the horizontal center distance should be 71mm.
2. Connect the RJ45 outlet using the Panduit (MINI-COM) connector to the cat5e or cat6 cable.
Connection can be made using T568A/B universal wiring.
3. Fix the outlet to the wall box with 2 screws using the holes on vertical axis.
Ensure the position of the outlet corresponds to figure 1.
For 2-gang and 3-gang sockets, use the alignment guides for positioning of the outlets.
4. Mount the cover frame using the clips. (see drawing a & b)



How to remove the Socket front cover (see drawing c & d)



Technical data

- RJ45 outlet with Panduit (MINI-COM) connector
- 0403-03: Cat5e unshielded
- 0403-13: Cat6 shielded
- T568A/B universal wiring