

**FERMAX**

Cod. 97527 V05\_09

- E** PLACA MODULAR CITYLINE
- F** PLATINE CITYLINE MODULAIRE
- P** PLACA MODULAR CITYLINE

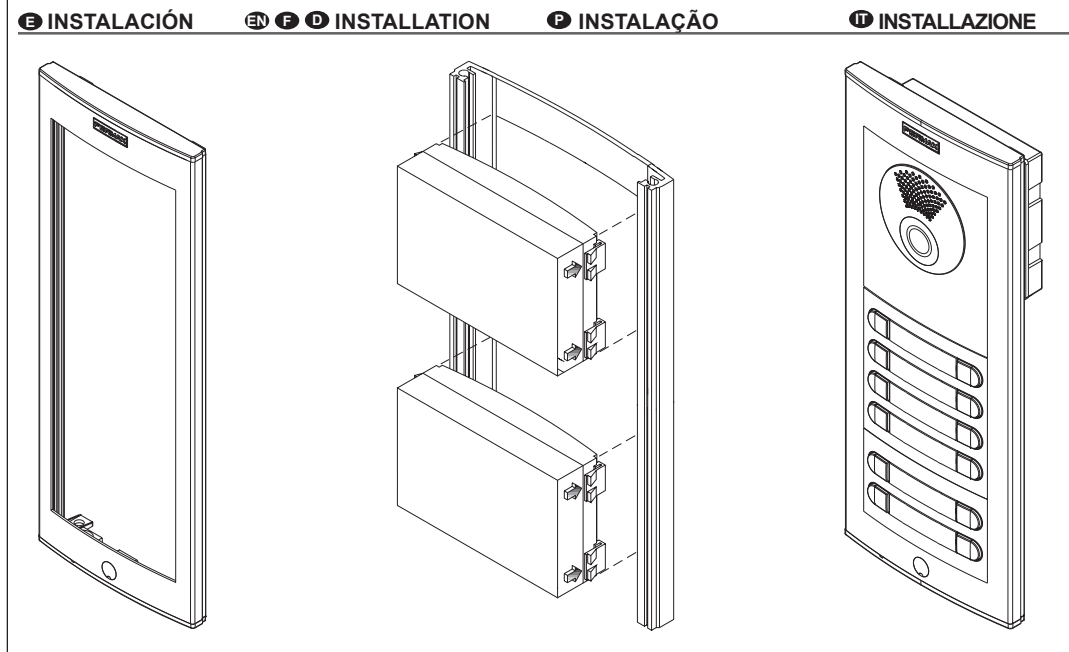
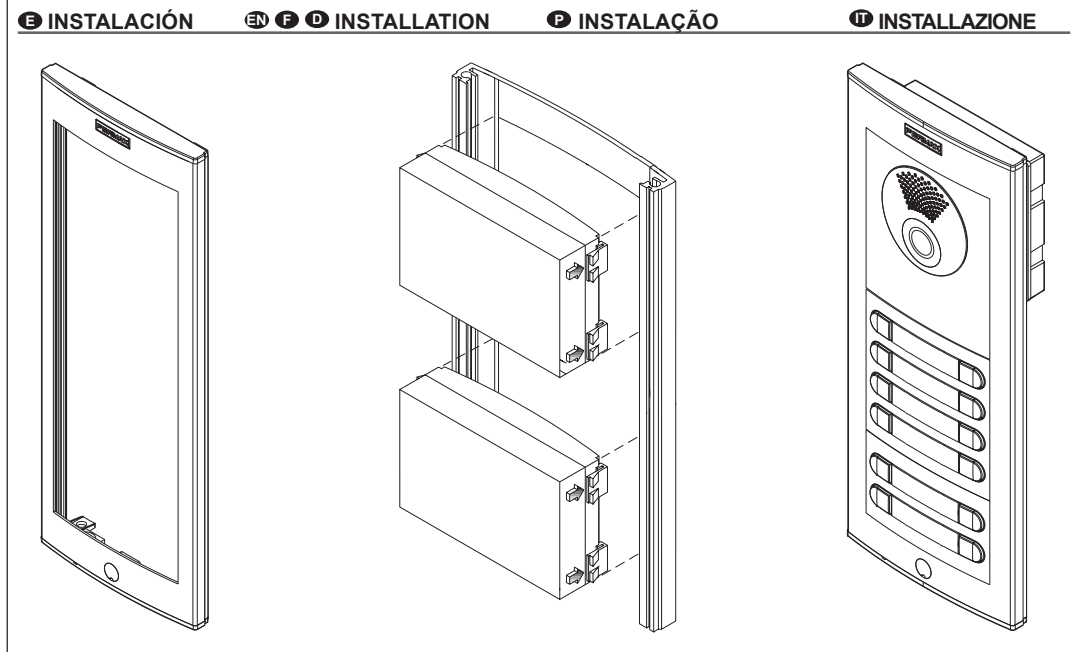
- EN** CITYLINE MODULAR PANEL
- D** CITYLINE MODULAR TÜRSTATION
- P** PIASTRA CITYLINE MODULARE

**FERMAX**

Cod. 97527 V05\_09

- E** PLACA MODULAR CITYLINE
- F** PLATINE CITYLINE MODULAIRE
- P** PLACA MODULAR CITYLINE

- EN** CITYLINE MODULAR PANEL
- D** CITYLINE MODULAR TÜRSTATION
- P** PIASTRA CITYLINE MODULARE

**FERMAX**

Cod. 97527 V05\_09

- E** PLACA MODULAR CITYLINE
- F** PLATINE CITYLINE MODULAIRE
- P** PLACA MODULAR CITYLINE

- EN** CITYLINE MODULAR PANEL
- D** CITYLINE MODULAR TÜRSTATION
- P** PIASTRA CITYLINE MODULARE

**FERMAX**

Cod. 97527 V05\_09

- E** PLACA MODULAR CITYLINE
- F** PLATINE CITYLINE MODULAIRE
- P** PLACA MODULAR CITYLINE

- EN** CITYLINE MODULAR PANEL
- D** CITYLINE MODULAR TÜRSTATION
- P** PIASTRA CITYLINE MODULARE

