

MEET

by **FERMAX**

MEET SYSTEM

INSTALLATION DIAGRAMS

## **MEET INSTALLATION DIAGRAMS BOOK**

Code 970180I V11\_19

This technical document has been edited by FERMAX ELECTRÓNICA S.A.U. for informational purposes, and the company reserves the right to modify any of the technical specifications of the products referred to herein at any time without prior notice. These changes shall be reflected in later editions of the same document.

# INDEX

	NUMBER DIAGRAM	PAGE
<b>1. INTRODUCTION</b>		<b>4</b>
1.1 EXAMPLE OF A SINGLE-LINE DIAGRAM AND WIRING DIAGRAMS		4
<b>2. DIAGRAMS</b>		<b>7</b>
2.1 INSTALLATION DIAGRAMS		7
2.1.1 INDIVIDUAL BLOCK		7
<b>200 - 1 INDIVIDUAL BLOCK: 2 Outdoor Panels + PC Management Unit.             4 Monitor per floor distribution.</b>		
· 201: Non-PoE Devices (Panels & Monitors)	201... 201C	8...11
· 202: All PoE Devices (Panels & Monitors)	202... 202C	12...15
· 203: Non-PoE Panels – PoE Monitors	203... 203C	16...19
· 204: PoE Panels – Non PoE Monitors	204... 204C	20...23
<b>300 - 1 INDIVIDUAL BLOCK: 2 Outdoor Panels + Guard Unit + Lift Control.             4 Monitor per floor distribution.</b>		
· 301: Non-PoE Devices (Panels & Monitors)	301... 301C	24...27
· 302: All PoE Devices (Panels & Monitors)	302... 302C	28...31
· 303: Non-PoE Panels – PoE Monitors	303... 303C	32...35
· 304: PoE Panels – Non PoE Monitors	304... 304C	36...39
<b>400 - 1 INDIVIDUAL BLOCK: 2 Outdoor Panels + Guard Unit + Lift Control.             Two 1W Outdoor Panels + Monitor per floor distribution.</b>		
· 401: Non-PoE Devices (Panels & Monitors)	401... 401C	40...43
· 402: All PoE Devices (Panels & Monitors)	402... 402C	44...47
· 403: Non-PoE Panels – PoE Monitors	403... 403C	48...51
· 404: PoE Panels – Non PoE Monitors	404... 404C	52...55
2.1.2 GENERAL ENTRANCE TO INTERNAL BLOCKS		<b>57</b>
<b>500 - 2 GENERAL ENTRANCE Outdoor panels. 2 INTERNAL BLOCKS with             2 Outdoor Panels for each block. 4 Monitor per floor distribution.</b>		
· 501: Non-PoE Devices (Panels & Monitors)	501... 501G	58...65
· 502: All PoE Devices (Panels & Monitors)	502... 502G	66...73
· 503: Non-PoE Panels – PoE Monitors	503... 503G	74...81
· 504: PoE Panels – Non PoE Monitors	504... 504G	82...89
<b>600 - 2 GENERAL ENTRANCE Outdoor panels + Guard Unit. 2 INTERNAL             BLOCKS with 1 Outdoor Panel + Lift Control for each block. Two 1W             Outdoor Panels + Monitor per floor distribution for each block.</b>		
· 601: Non-PoE Devices (Panels & Monitors)	601... 601G	90...97
· 602: All PoE Devices (Panels & Monitors)	602... 602G	98...105
· 603: Non-PoE Panels – PoE Monitors	603... 603G	106...111
· 604: PoE Panels – Non PoE Monitors	604... 604G	112...121
<b>700 - Guard Unit GENERAL ENTRANCE and PC Management Unit to             offices. Two 1W Outdoor Panels + Monitor per floor distribution</b>		
· 701: Non-PoE Devices (Panels & Monitors)	701... 701C	122...125
· 702: All PoE Devices (Panels & Monitors)	702... 702C	126...129
(Note: 1W Outdoor Panel and Guard Unit are Non-PoE Devices)		

# 1. INTRODUCTION

The diagrams have been designed based on what are considered to be the most common types of real-life installations.

Each installation includes 2 types of diagram:

- Single-line diagram.
- Wiring diagrams.

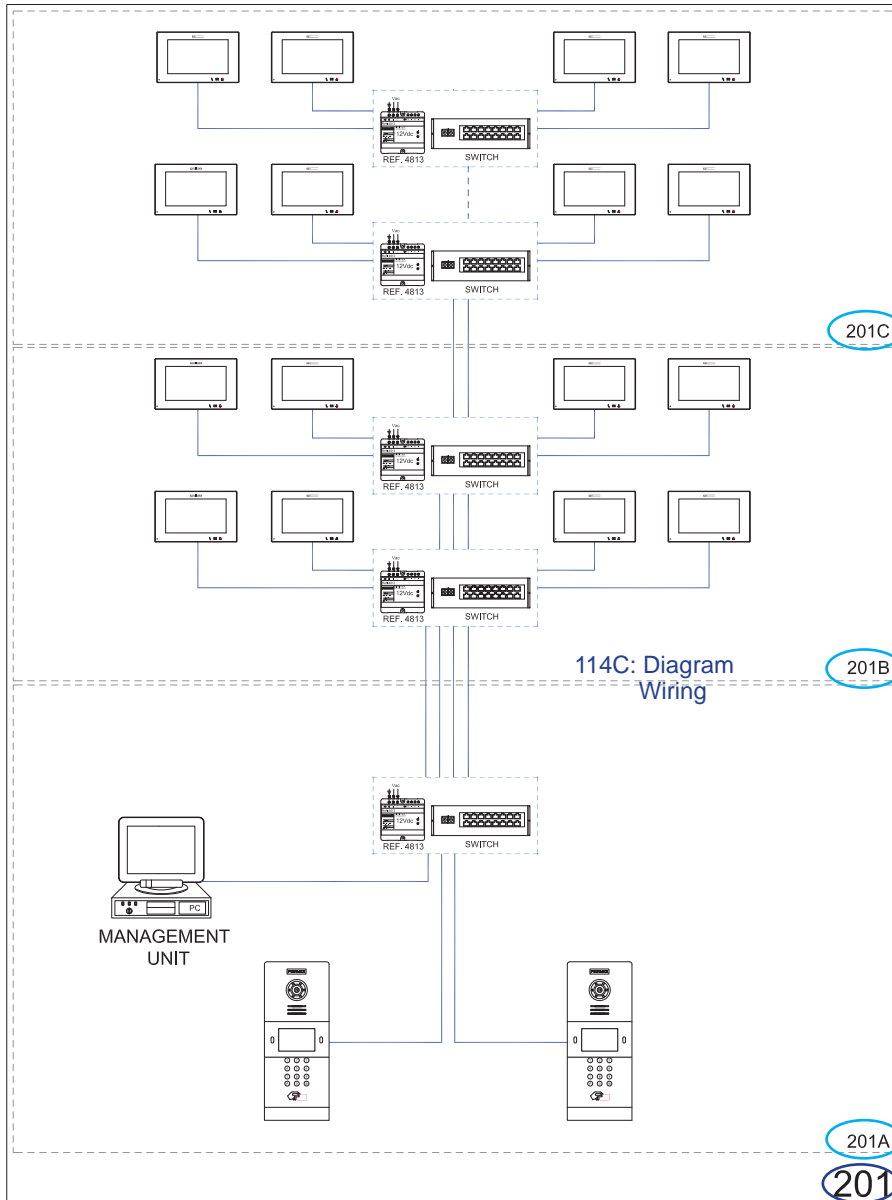
The **single-line diagram** is a graphic representation of the installation in which the collection of wires is represented by one single line regardless of the quantity of wires. The single-line diagrams in this book have been designed to fit on a single page, so that the complete installation can be seen at a glance.

The **wiring diagrams**, however, are the representation of all of the wires that are involved in the installation. The connection and the components have been placed in a similar manner to the real placement of these. The lines or rolls of the cables may cross between one another. The wiring diagrams have been divided into several diagrams to ensure the optimum size for viewing the connections.

## 1.1 EXAMPLE OF A SINGLE-LINE DIAGRAM AND WIRING DIAGRAMS

This example will explain the relationship between the single-line diagram and the corresponding wiring diagrams.

SINGLE-LINE DIAGRAM



201C: Wiring Diagram

201B: Wiring Diagram

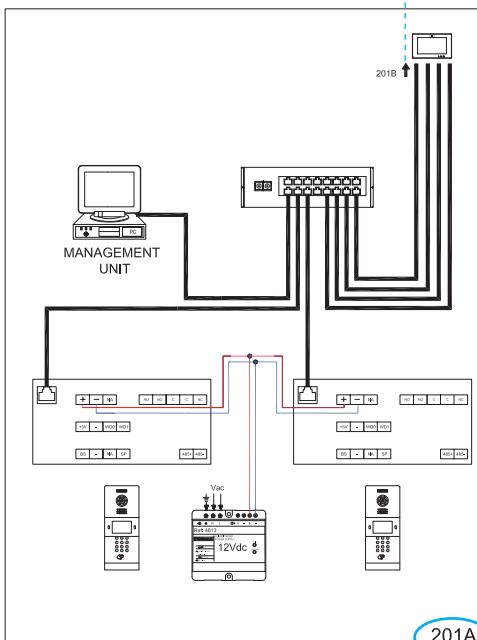
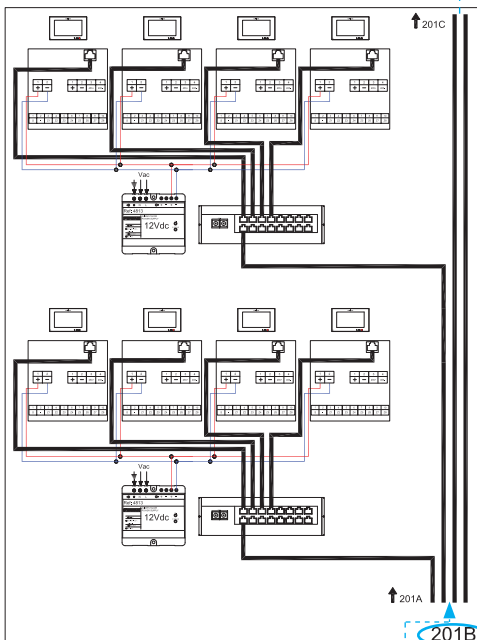
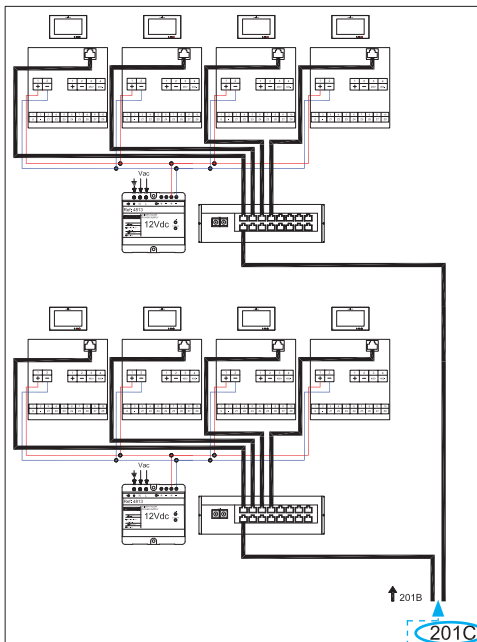
201A: Wiring Diagram

201: Single-line Diagram

SINGLE-LINE DIAGRAM = UNION OF WIRING DIAGRAMS

$$201 = 201A + 201B + 201C$$

WIRING DIAGRAM



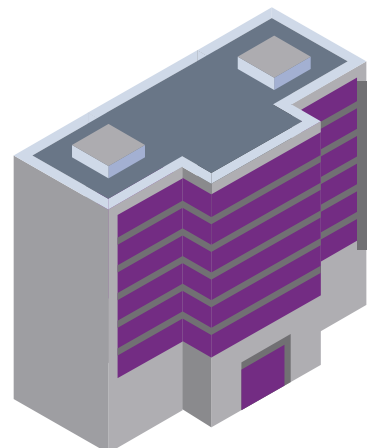


## 2. DIAGRAMS

### 2.1 INSTALLATION DIAGRAMS

---

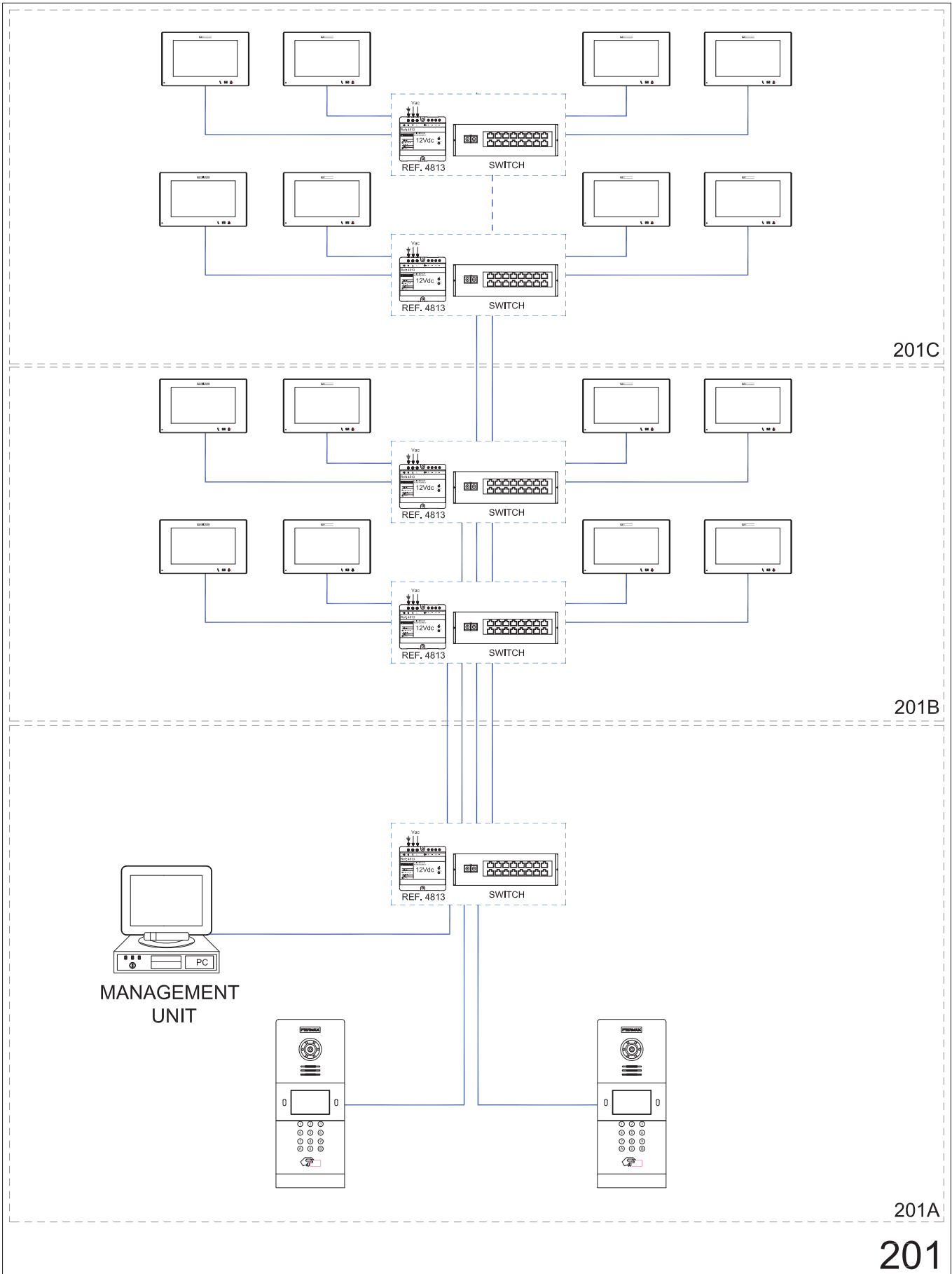
#### 2.1.1 INDIVIDUAL BLOCK



200: 1 INDIVIDUAL BLOCK: 2 Outdoor Panels + PC Management Unit. 4 Monitor per floor distribution.

201: Non-PoE Devices (Panels & Monitors)

201 - SINGLE-LINE DIAGRAM.



201C

201B

201A

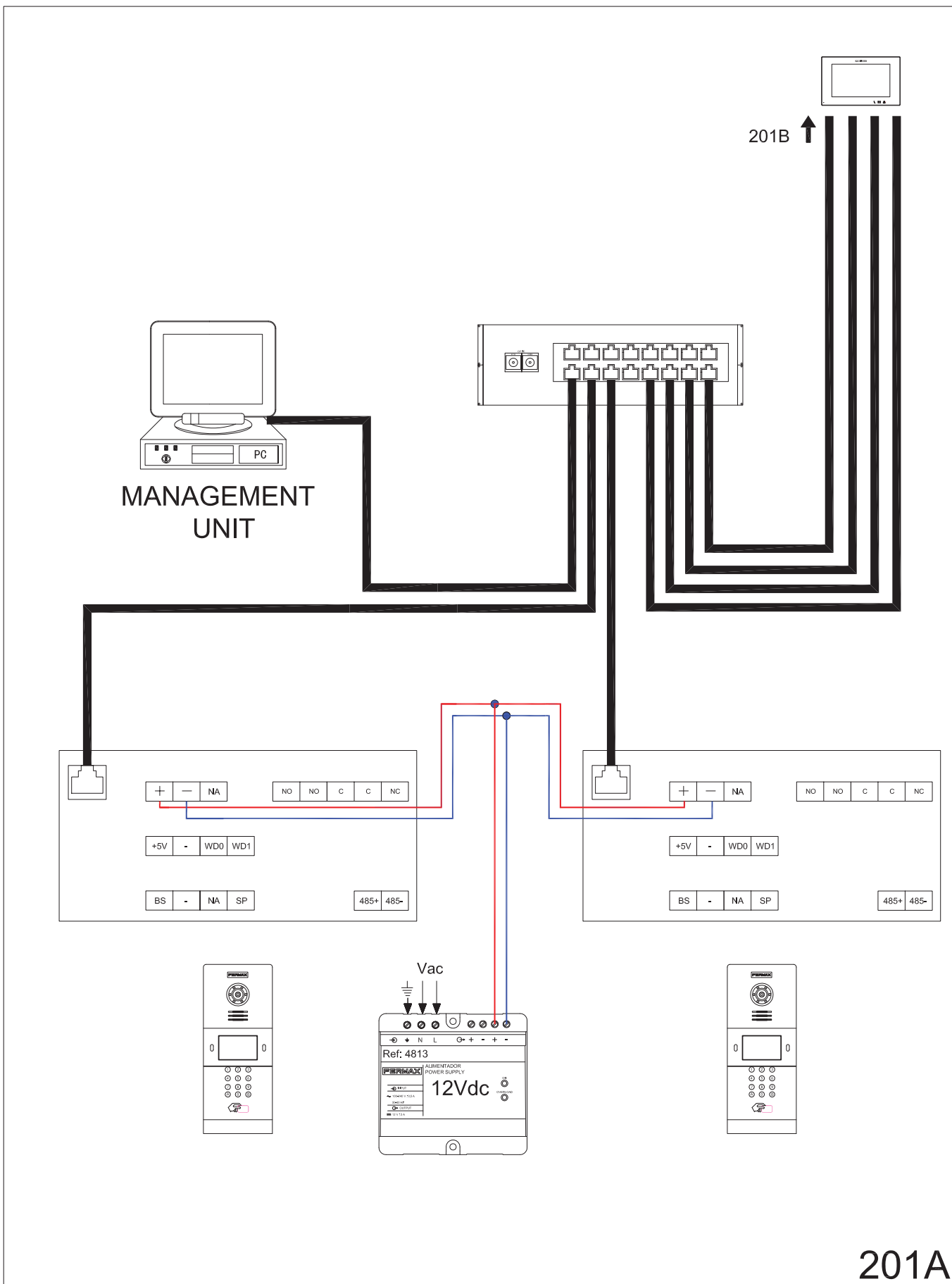
201



**200: 1 INDIVIDUAL BLOCK: 2 Outdoor Panels + PC Management Unit. 4 Monitor per floor distribution.**

**201: Non-PoE Devices (Panels & Monitors)**

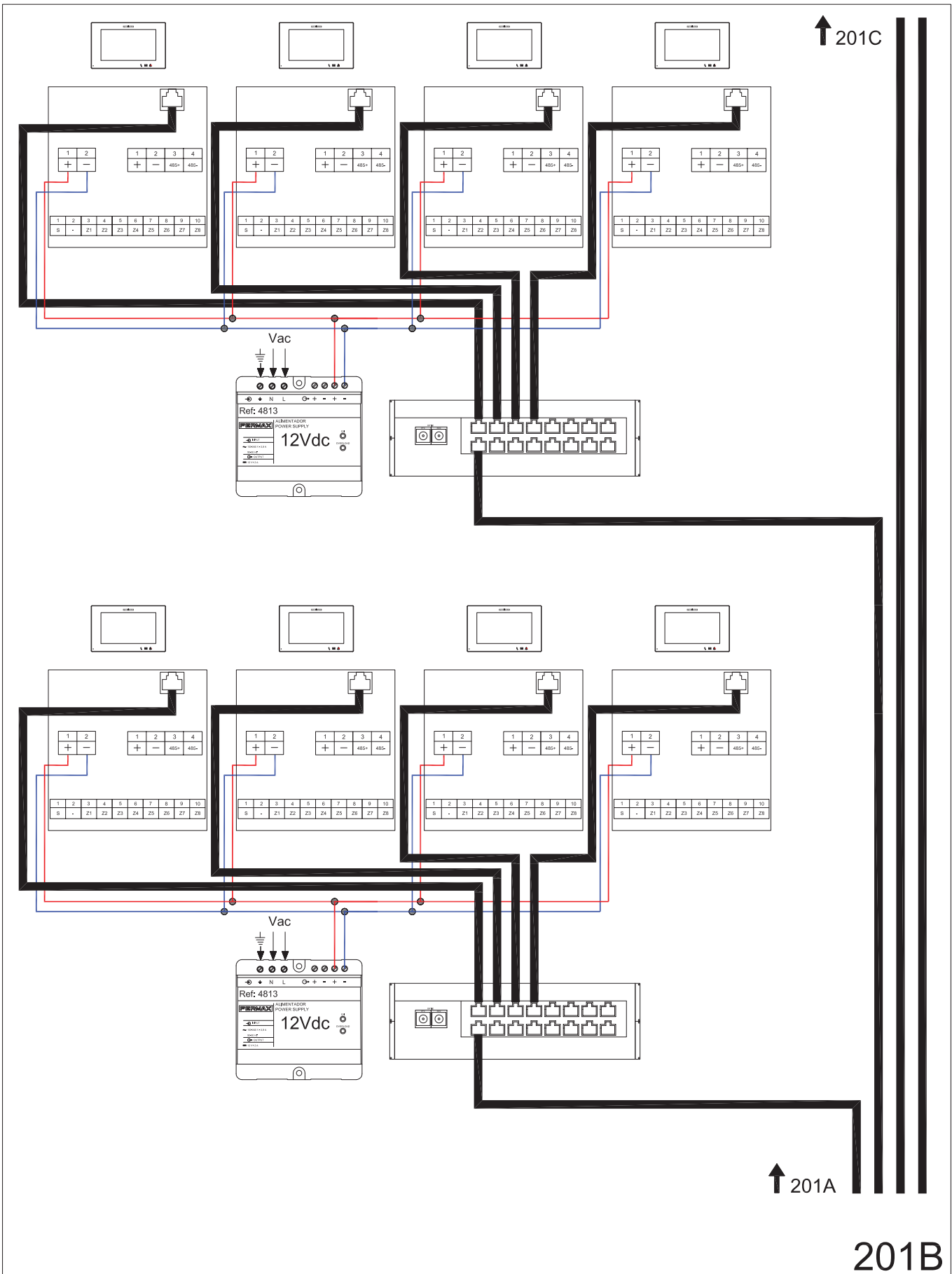
201A - WIRING DIAGRAM. Connection detail: Outdoor panels - PC Management Unit.



200: 1 INDIVIDUAL BLOCK: 2 Outdoor Panels + PC Management Unit. 4 Monitor per floor distribution.

201: Non-PoE Devices (Panels & Monitors)

201B - WIRING DIAGRAM. Connection detail: Floors. 4 Monitor per floor distribution.



↑ 201C

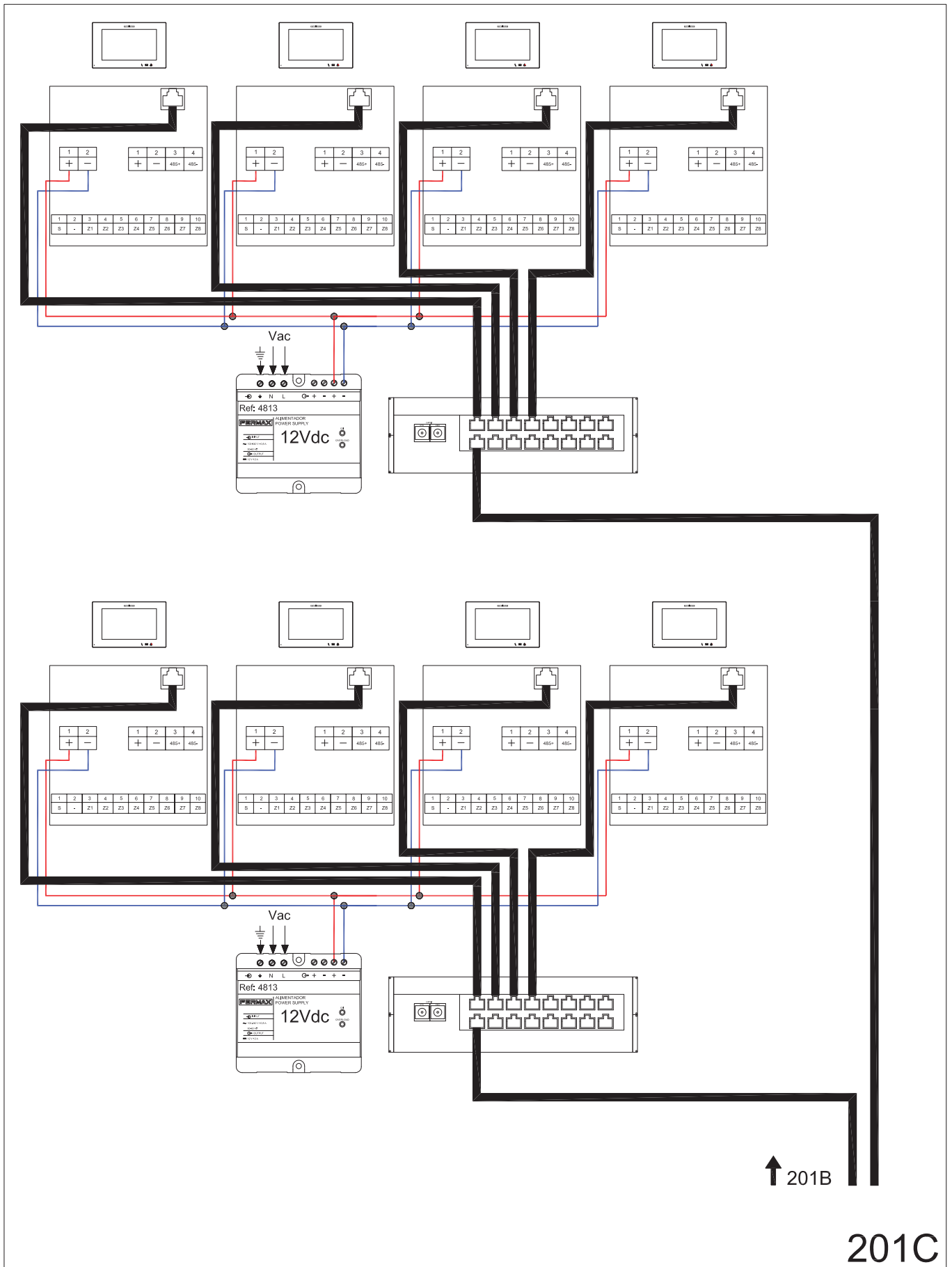
↑ 201A

201B

200: 1 INDIVIDUAL BLOCK: 2 Outdoor Panels + PC Management Unit. 4 Monitor per floor distribution.

201: Non-PoE Devices (Panels & Monitors)

201C - WIRING DIAGRAM. Connection detail: Floors. 4 Monitor per floor distribution.



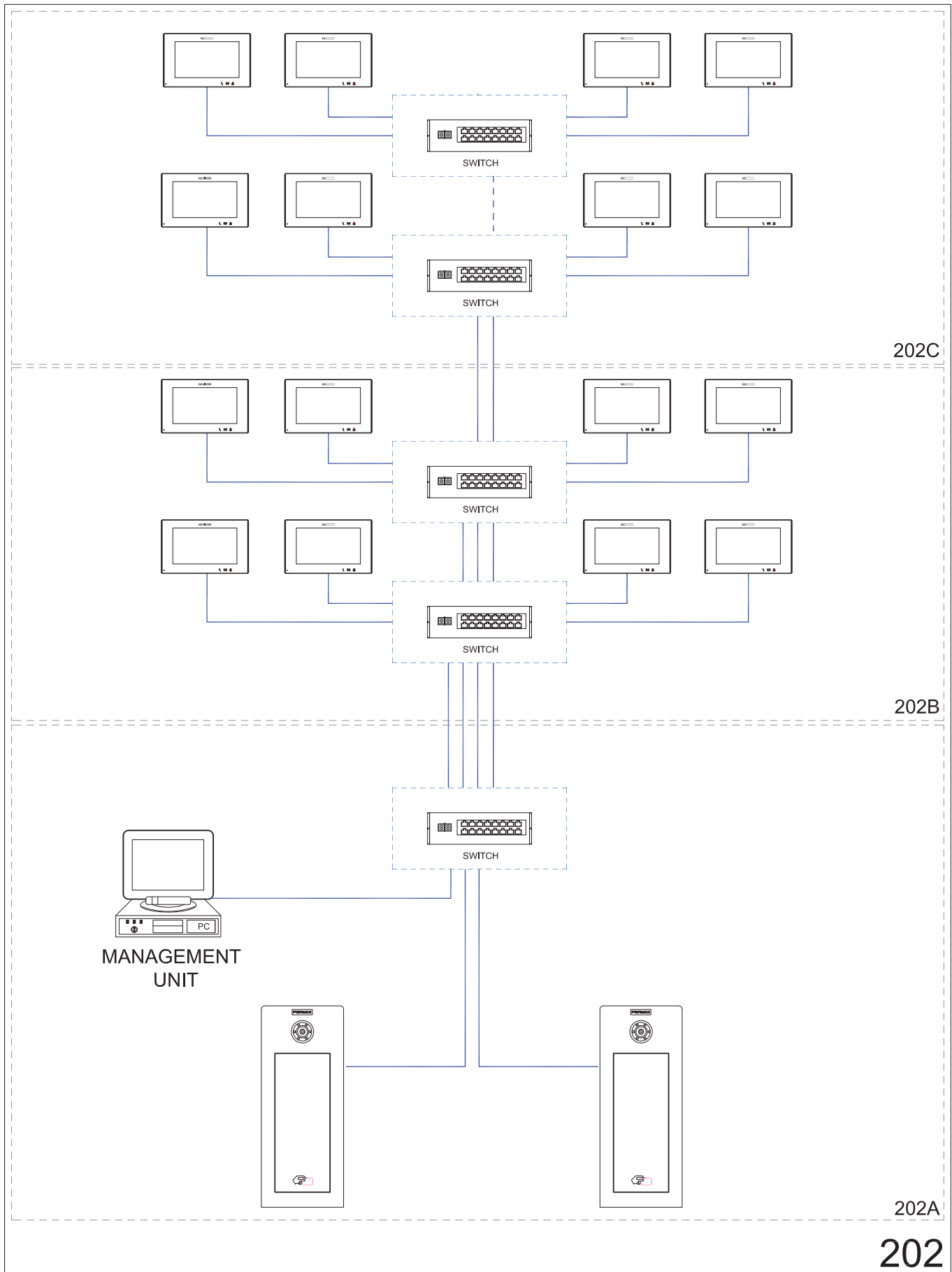
↑ 201B

201C

200: 1 INDIVIDUAL BLOCK: 2 Outdoor Panels + PC Management Unit. 4 Monitor per floor distribution.

202: All PoE Devices (Panels & Monitors)

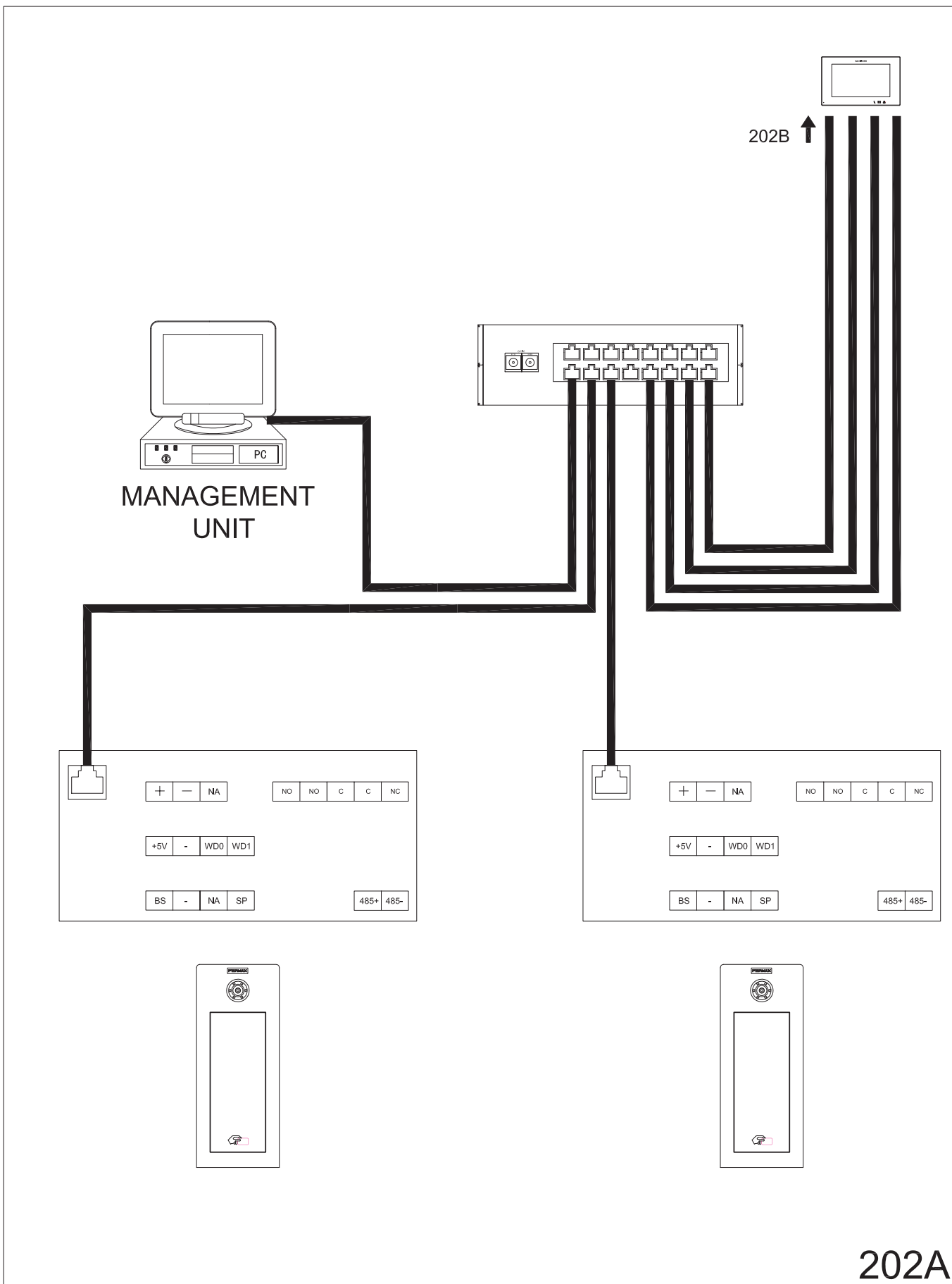
202 - SINGLE-LINE DIAGRAM.



200: 1 INDIVIDUAL BLOCK: 2 Outdoor Panels + PC Management Unit. 4 Monitor per floor distribution.

202: All PoE Devices (Panels & Monitors)

202A - WIRING DIAGRAM. Connection detail: Outdoor panels - PC Management Unit.

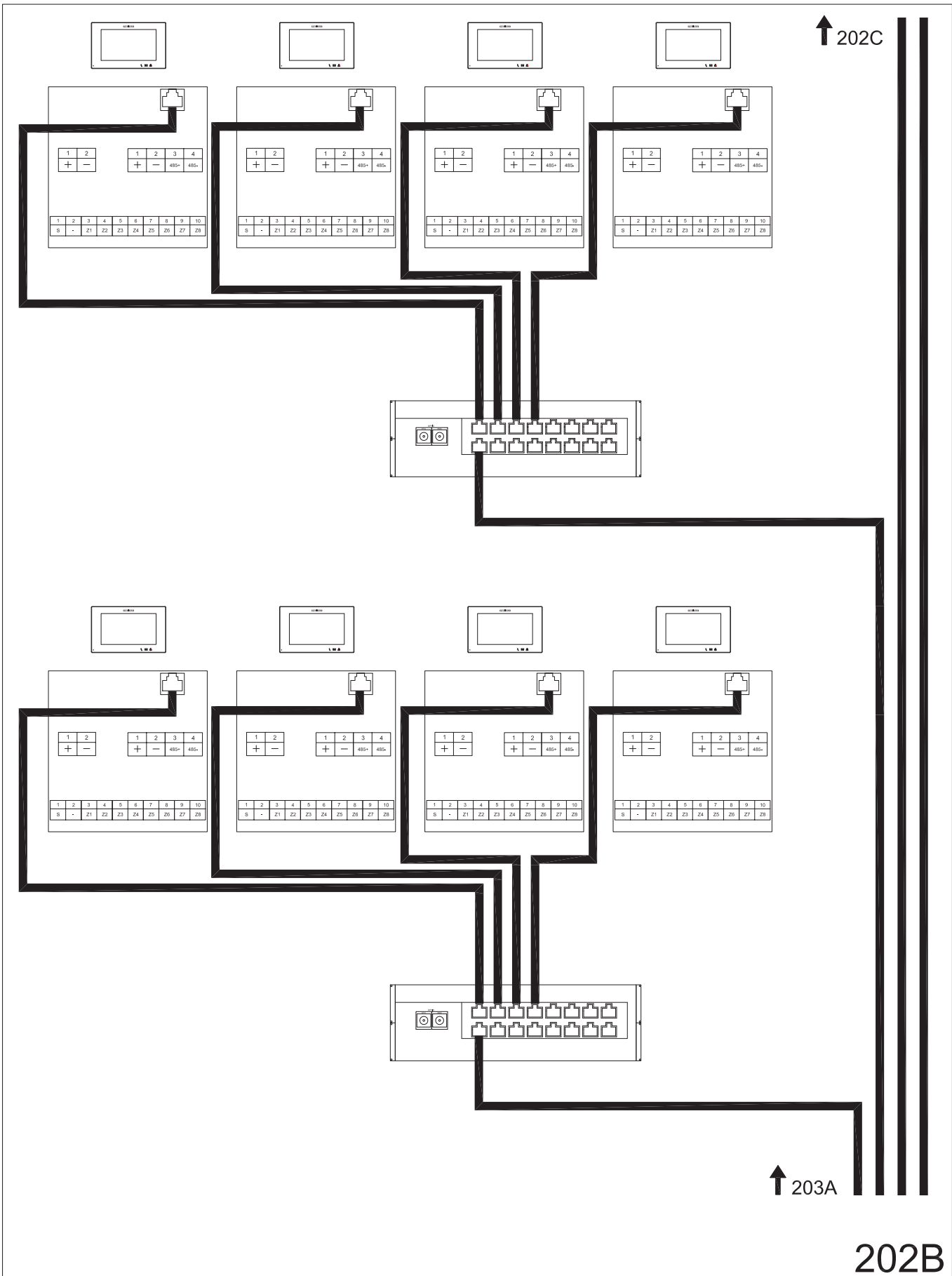


202A

200: 1 INDIVIDUAL BLOCK: 2 Outdoor Panels + PC Management Unit. 4 Monitor per floor distribution.

202: All PoE Devices (Panels & Monitors)

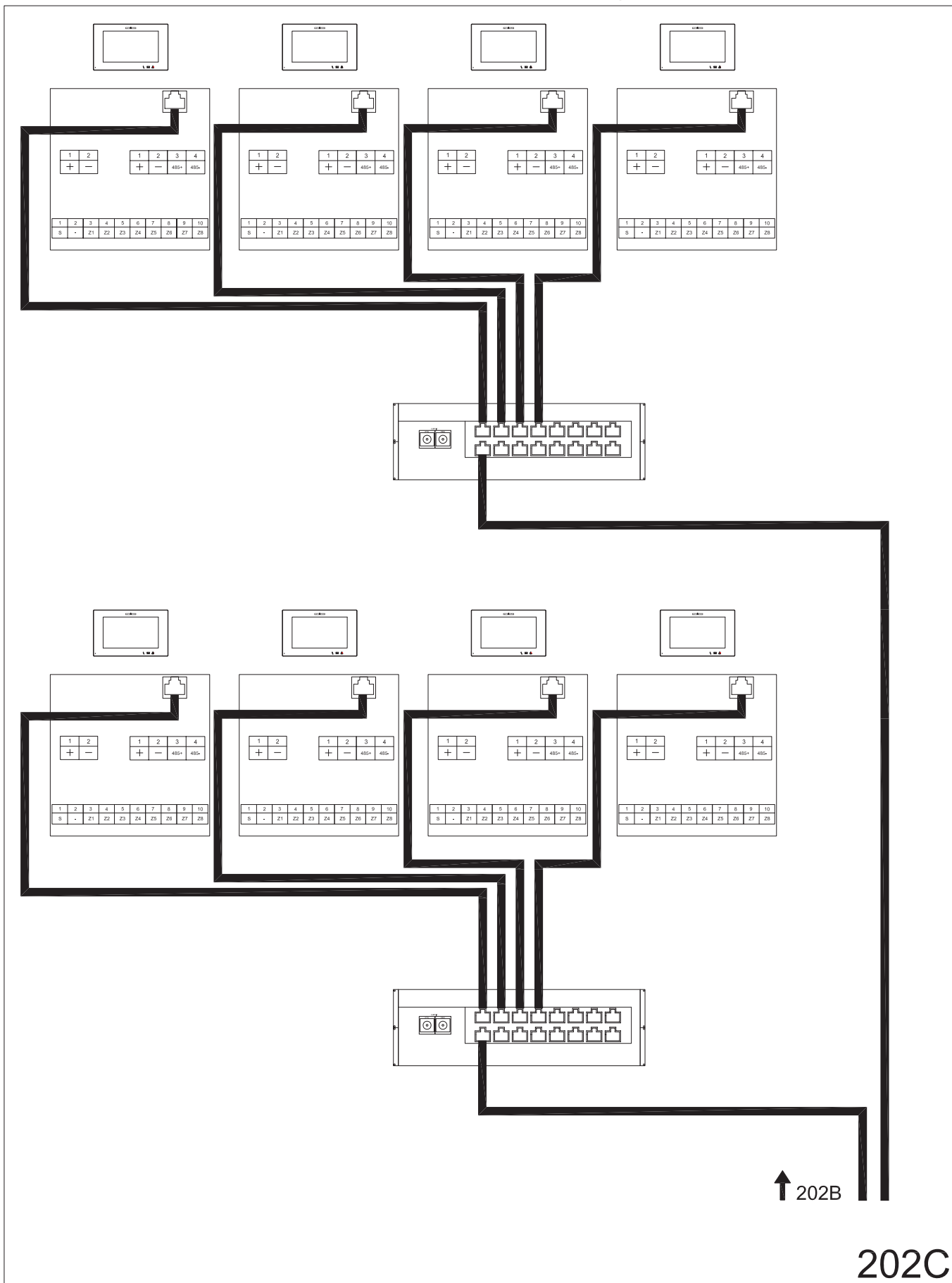
202B - WIRING DIAGRAM. Connection detail: Floors. 4 Monitor per floor distribution.



200: 1 INDIVIDUAL BLOCK: 2 Outdoor Panels + PC Management Unit. 4 Monitor per floor distribution.

202: All PoE Devices (Panels & Monitors)

202C - WIRING DIAGRAM. Connection detail: Floors. 4 Monitor per floor distribution.



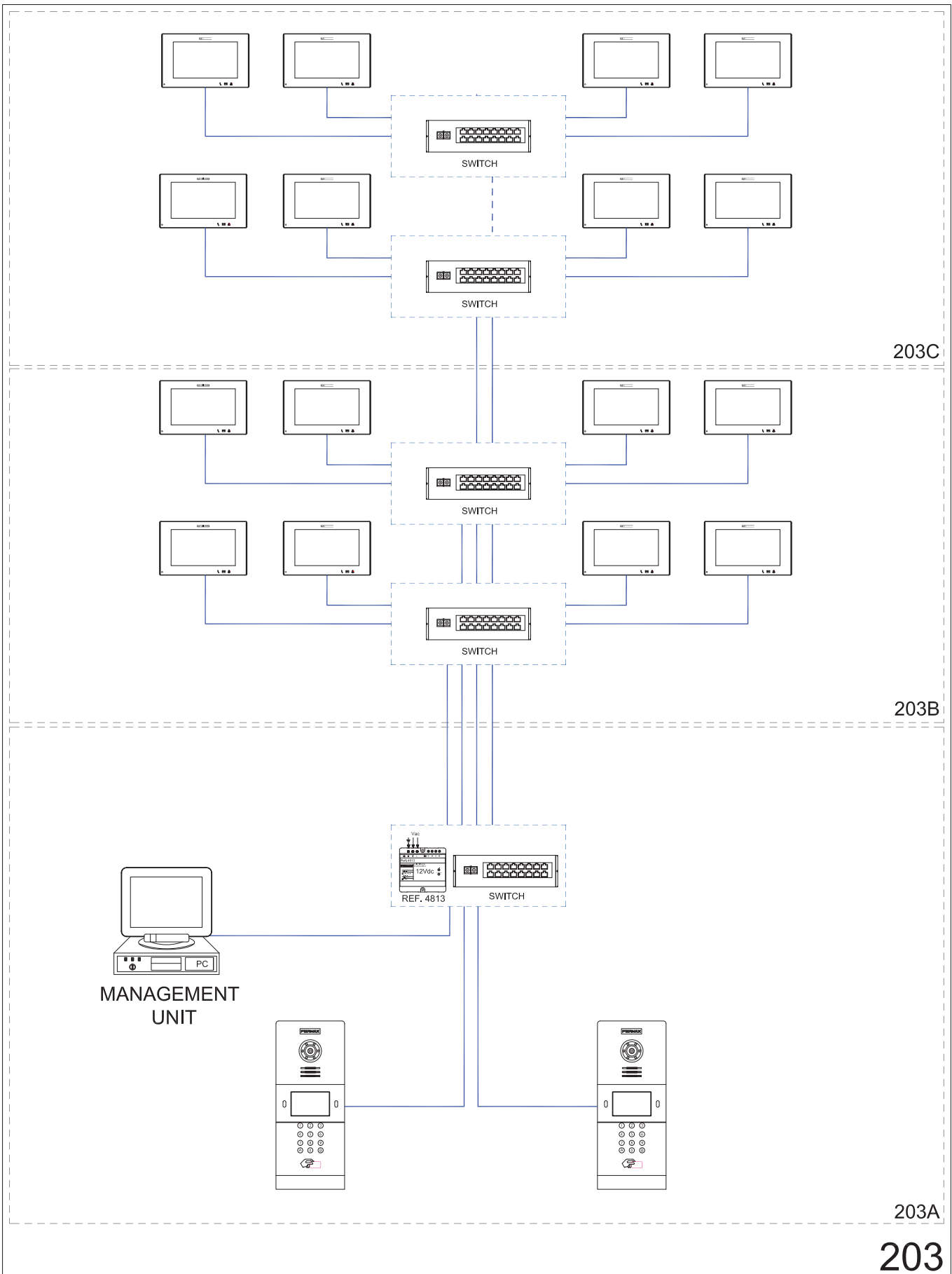
↑ 202B

202C

200: 1 INDIVIDUAL BLOCK: 2 Outdoor Panels + PC Management Unit. 4 Monitor per floor distribution.

203: Non-PoE Panels – PoE Monitors

203 - SINGLE-LINE DIAGRAM.



203C

203B

203A

203

MANAGEMENT UNIT

REF. 4813 SWITCH

SWITCH

SWITCH

SWITCH

SWITCH

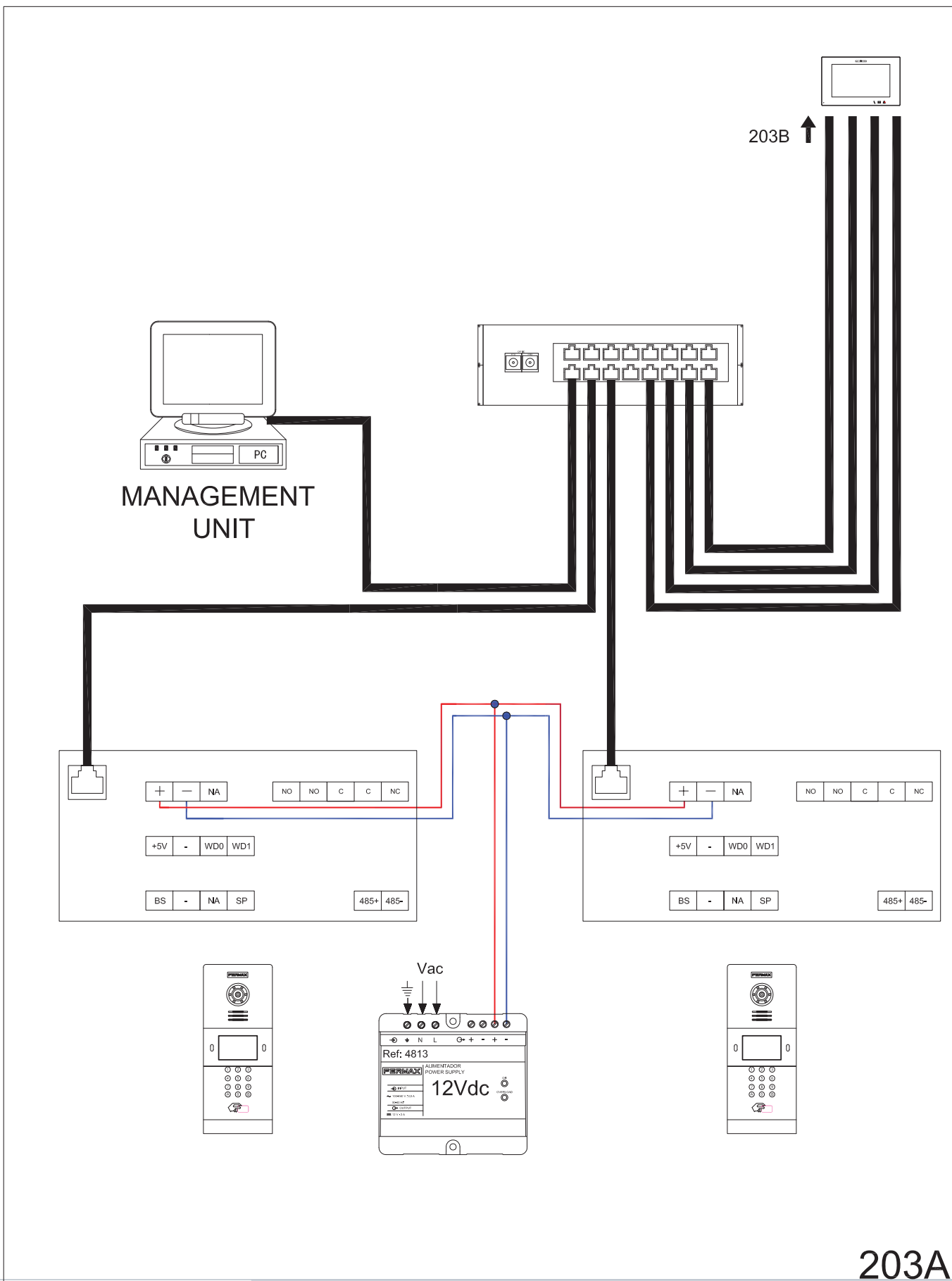
SWITCH



200: 1 INDIVIDUAL BLOCK: 2 Outdoor Panels + PC Management Unit. 4 Monitor per floor distribution.

203: Non-PoE Panels – PoE Monitors

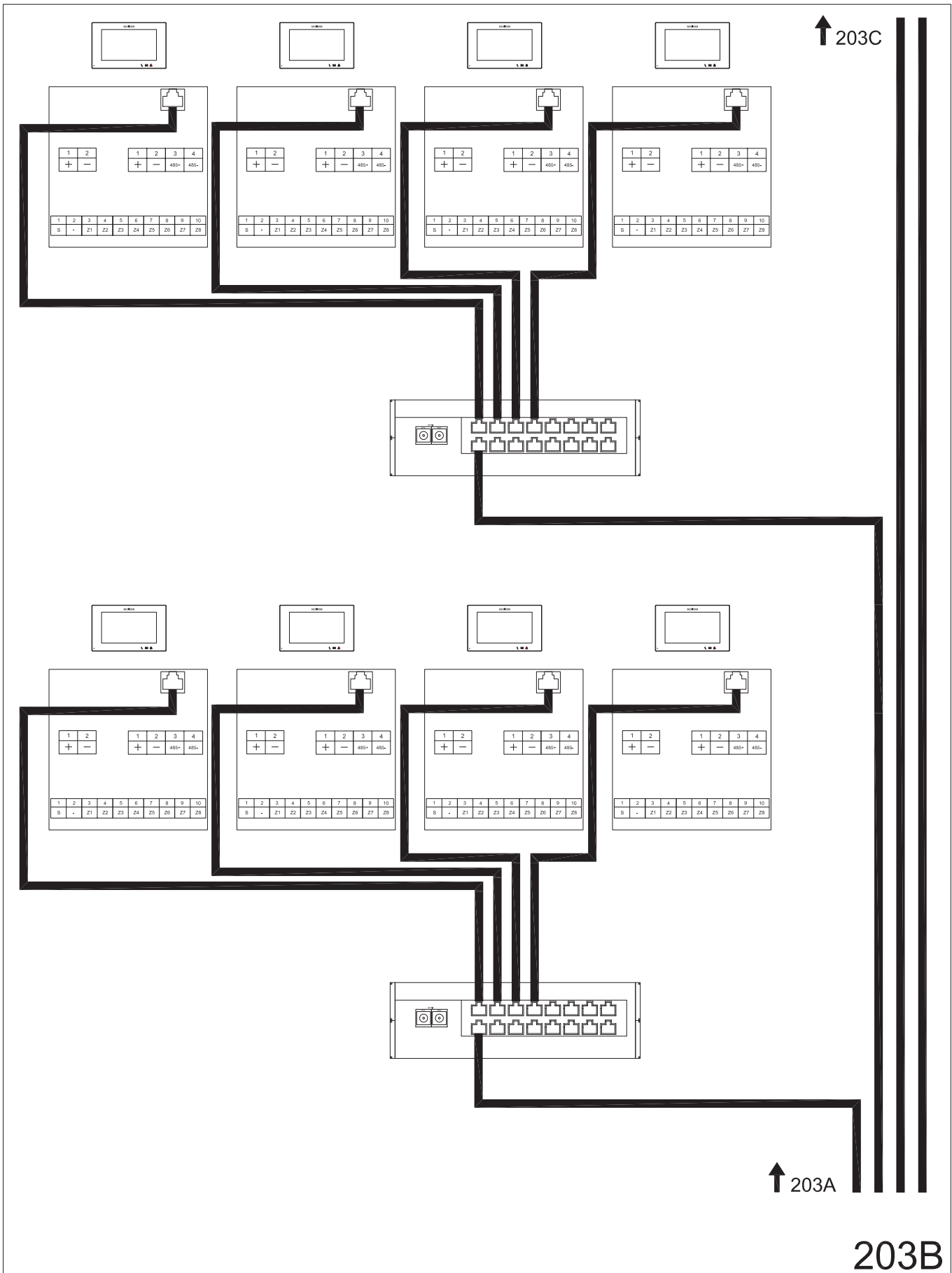
203A - WIRING DIAGRAM. Connection detail: Outdoor panels - PC Management Unit.



200: 1 INDIVIDUAL BLOCK: 2 Outdoor Panels + PC Management Unit. 4 Monitor per floor distribution.

203: Non-PoE Panels – PoE Monitors

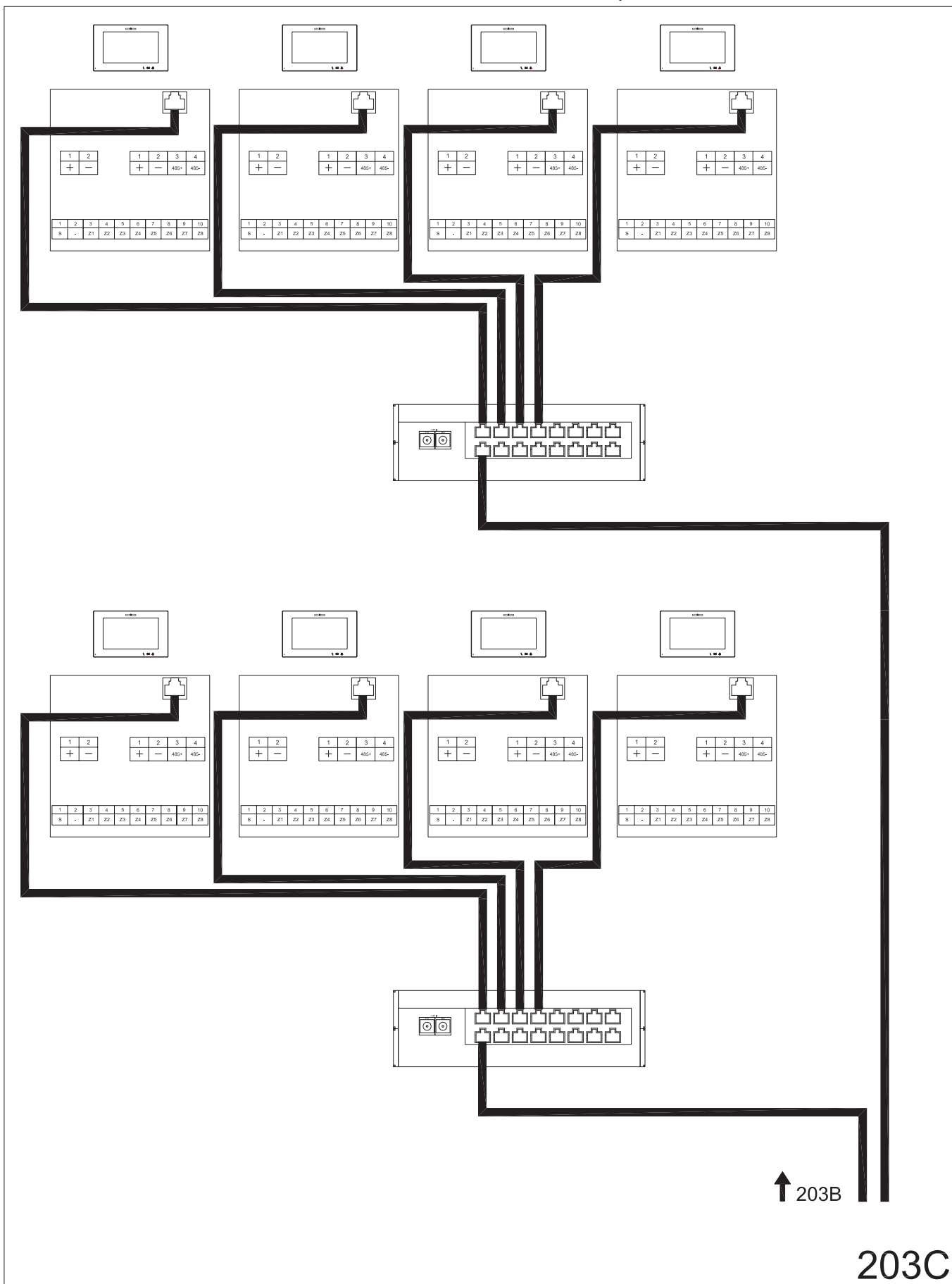
203B - WIRING DIAGRAM. Connection detail: Floors. 4 Monitor per floor distribution.



**200: 1 INDIVIDUAL BLOCK: 2 Outdoor Panels + PC Management Unit. 4 Monitor per floor distribution.**

**203: Non-PoE Panels – PoE Monitors**

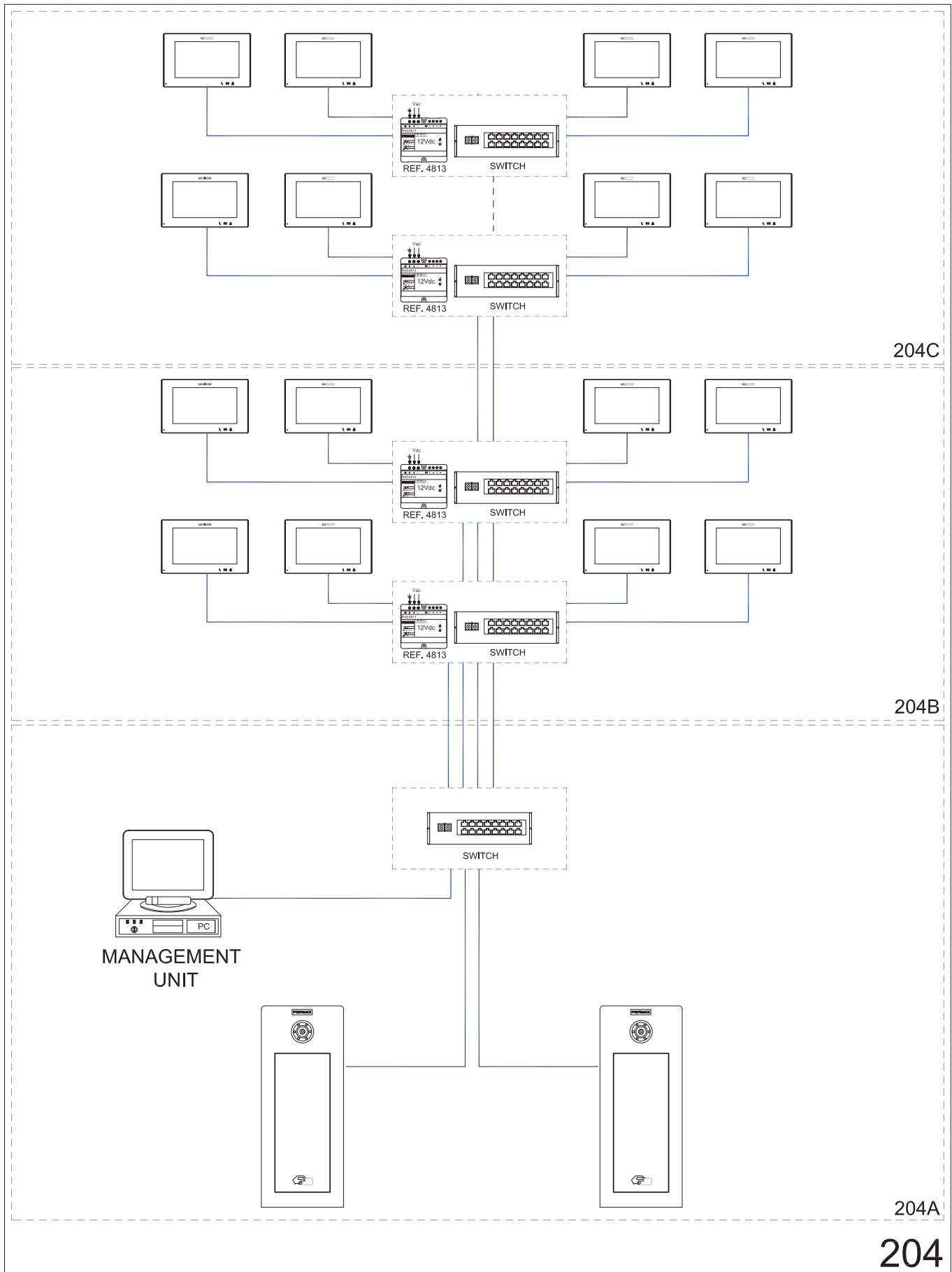
203C - WIRING DIAGRAM. Connection detail: Floors. 4 Monitor per floor distribution.



200: 1 INDIVIDUAL BLOCK: 2 Outdoor Panels + PC Management Unit. 4 Monitor per floor distribution.

204: PoE Panels – Non PoE Monitors

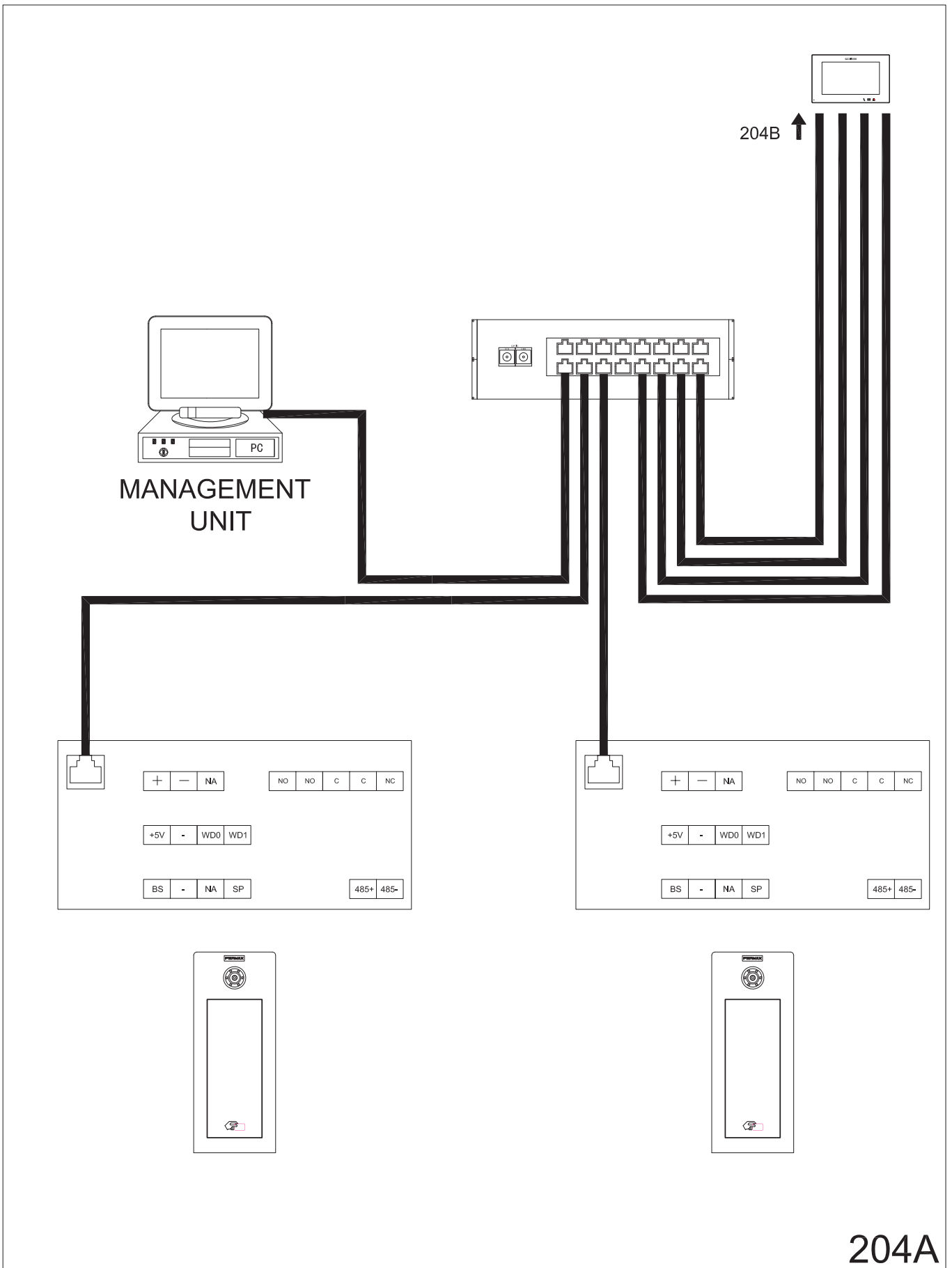
204 - SINGLE-LINE DIAGRAM.



200: 1 INDIVIDUAL BLOCK: 2 Outdoor Panels + PC Management Unit. 4 Monitor per floor distribution.

204: PoE Panels – Non PoE Monitors

204A - WIRING DIAGRAM. Connection detail: Outdoor panels - PC Management Unit.

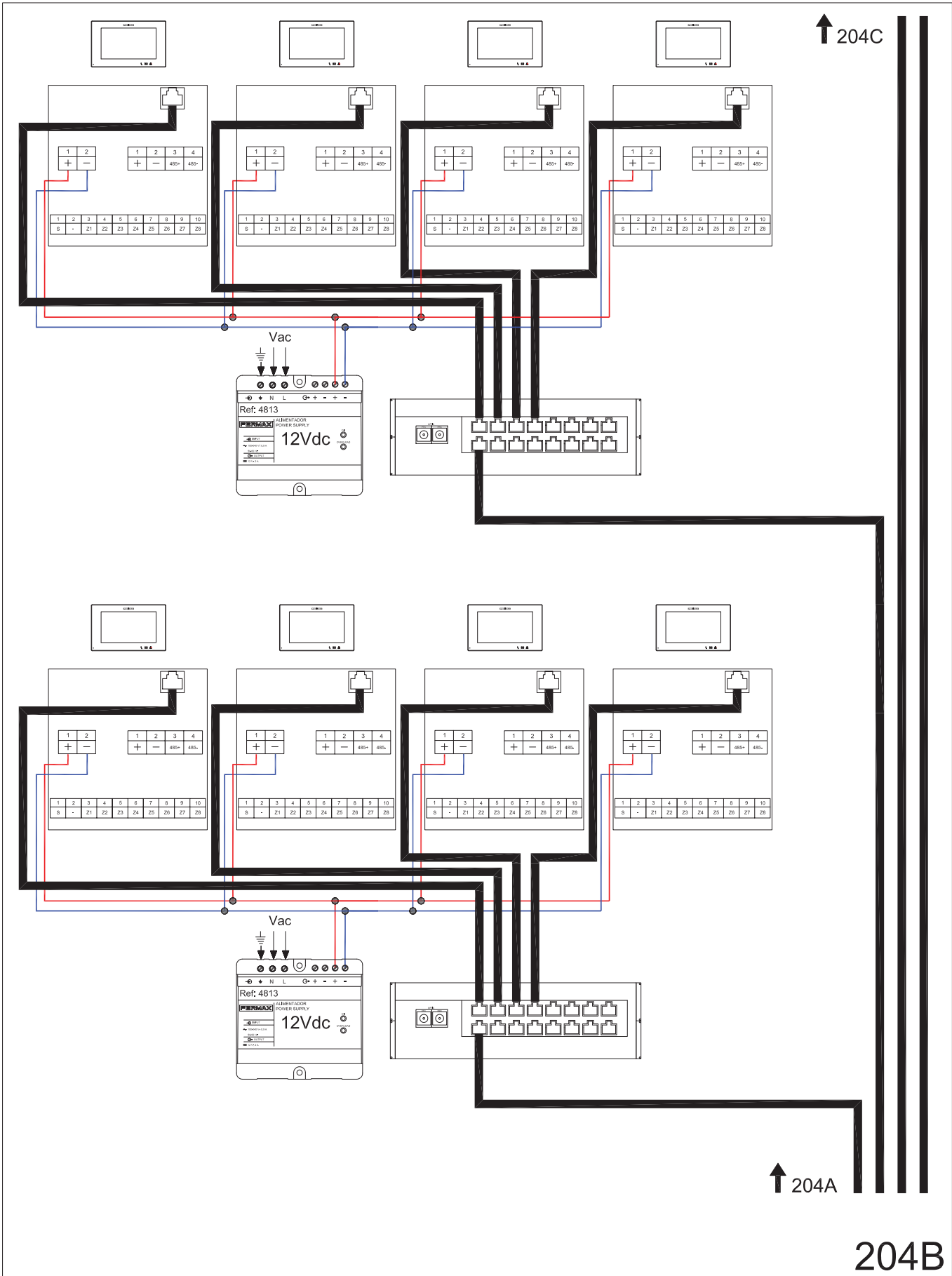


204A

200: 1 INDIVIDUAL BLOCK: 2 Outdoor Panels + PC Management Unit. 4 Monitor per floor distribution.

204: PoE Panels – Non PoE Monitors

204B - WIRING DIAGRAM. Connection detail: Floors. 4 Monitor per floor distribution.



↑ 204C

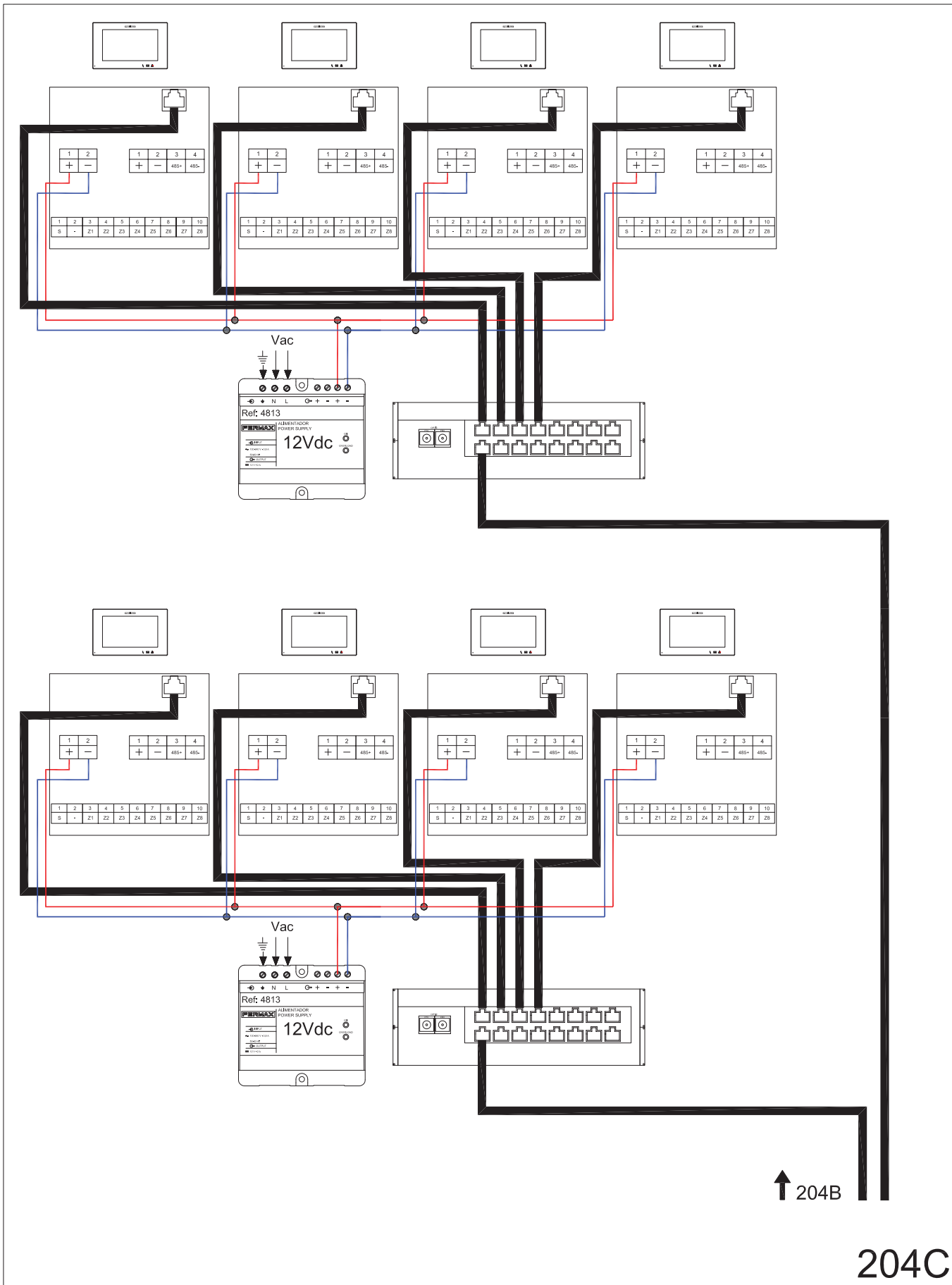
↑ 204A

204B

**200: 1 INDIVIDUAL BLOCK: 2 Outdoor Panels + PC Management Unit. 4 Monitor per floor distribution.**

**204: PoE Panels – Non PoE Monitors**

204C - WIRING DIAGRAM. Connection detail: Floors. 4 Monitor per floor distribution.



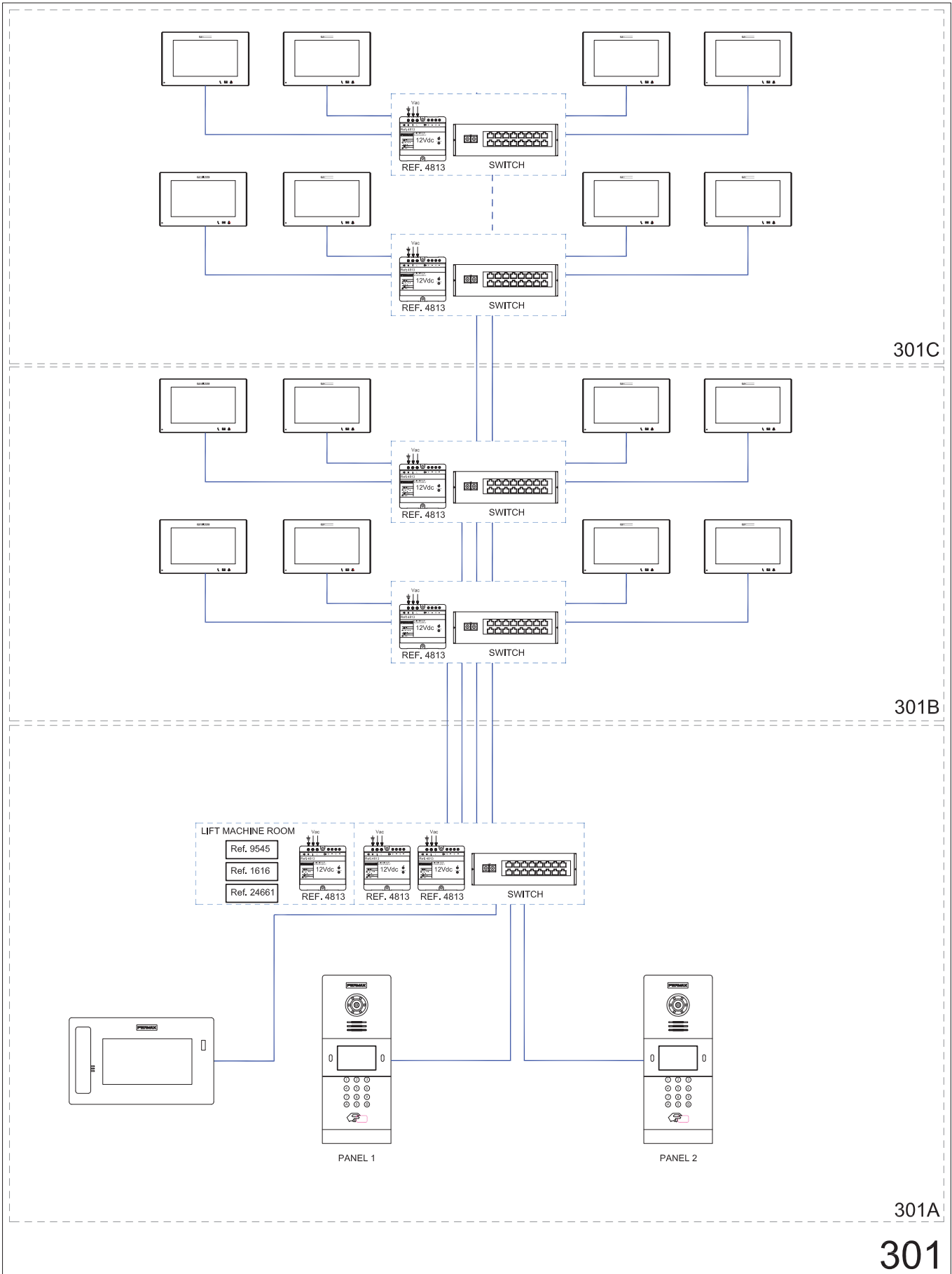
↑ 204B

204C

300: 1 INDIVIDUAL BLOCK: 2 Outdoor Panels + Guard Unit + Lift Control Unit. 4 Monitor per floor distribution.

301: Non-PoE Devices (Panels & Monitors)

301 - SINGLE-LINE DIAGRAM.



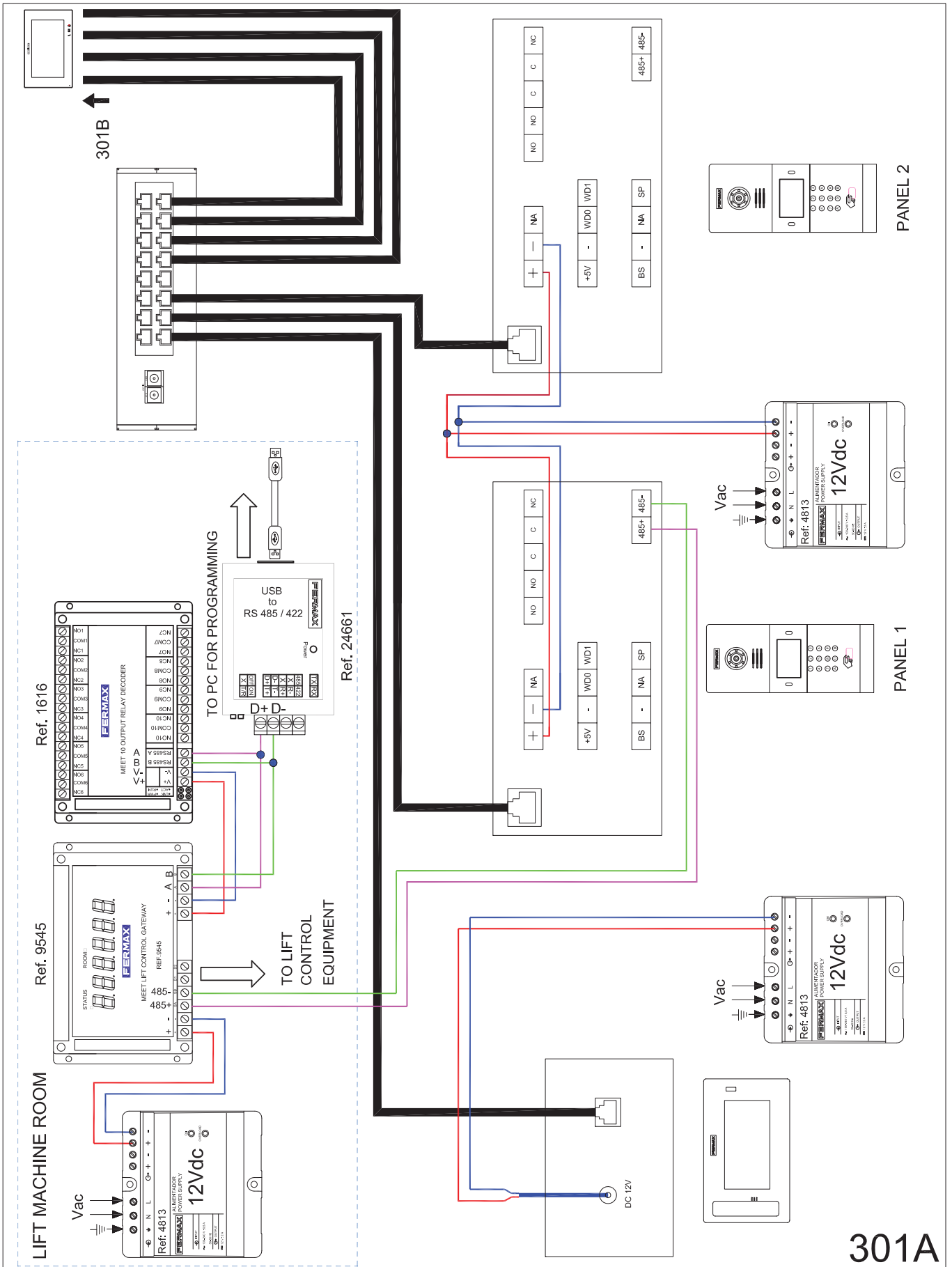
301



300: 1 INDIVIDUAL BLOCK: 2 Outdoor Panels + Guard Unit + Lift Control Unit. 4 Monitor per floor distribution.

301: Non-PoE Devices (Panels & Monitors)

301A - WIRING DIAGRAM. Connection detail: Outdoor panels + Guard Unit + Lift Control.

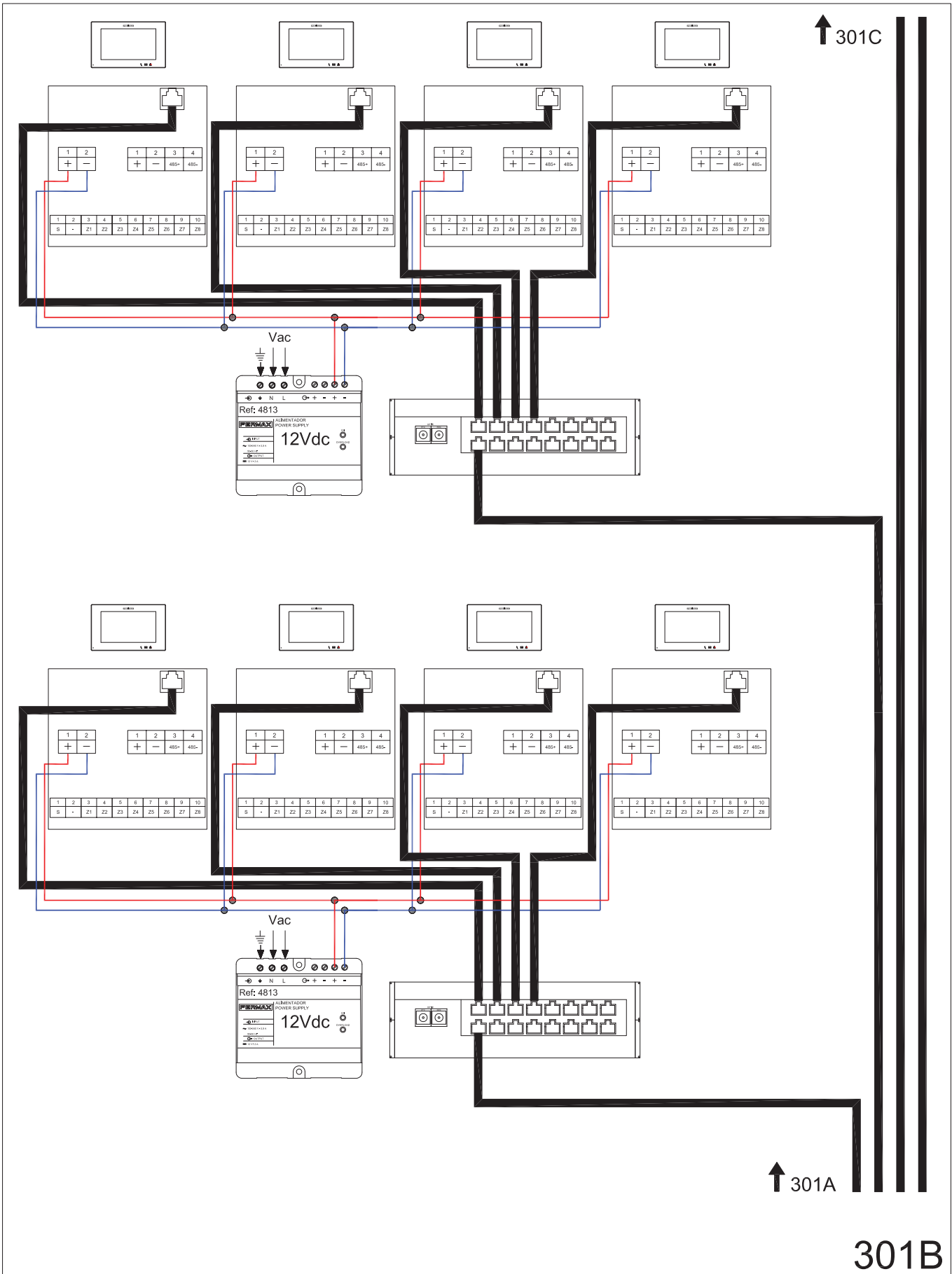


301A

300: 1 INDIVIDUAL BLOCK: 2 Outdoor Panels + Guard Unit + Lift Control Unit. 4 Monitor per floor distribution.

301: Non-PoE Devices (Panels & Monitors)

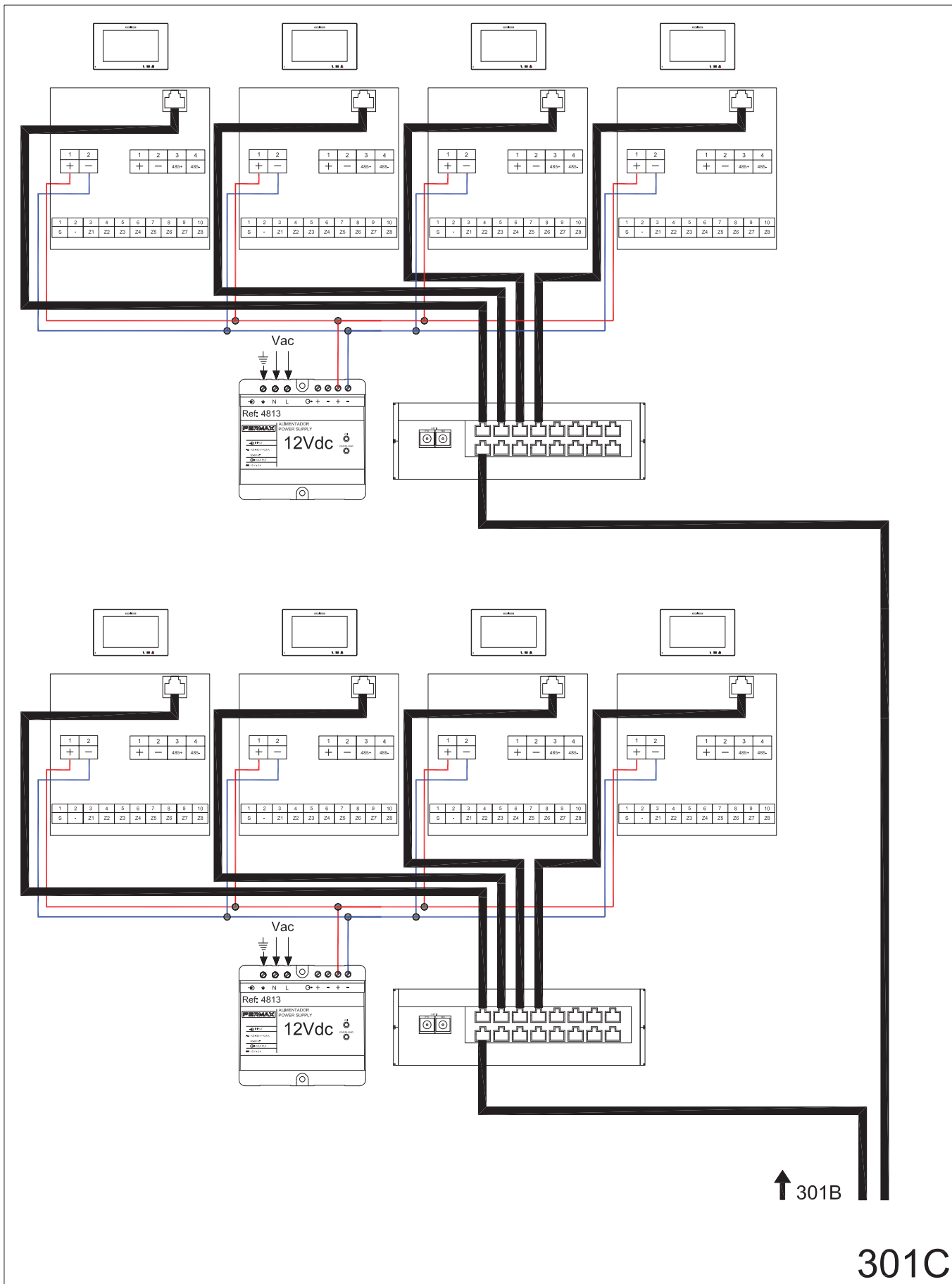
301B - WIRING DIAGRAM. Connection detail: Floors. 4 Monitor per floor distribution.



**300: 1 INDIVIDUAL BLOCK: 2 Outdoor Panels + Guard Unit + Lift Control Unit. 4 Monitor per floor distribution.**

**301: Non-PoE Devices (Panels & Monitors)**

301C - WIRING DIAGRAM. Connection detail: Floors. 4 Monitor per floor distribution.

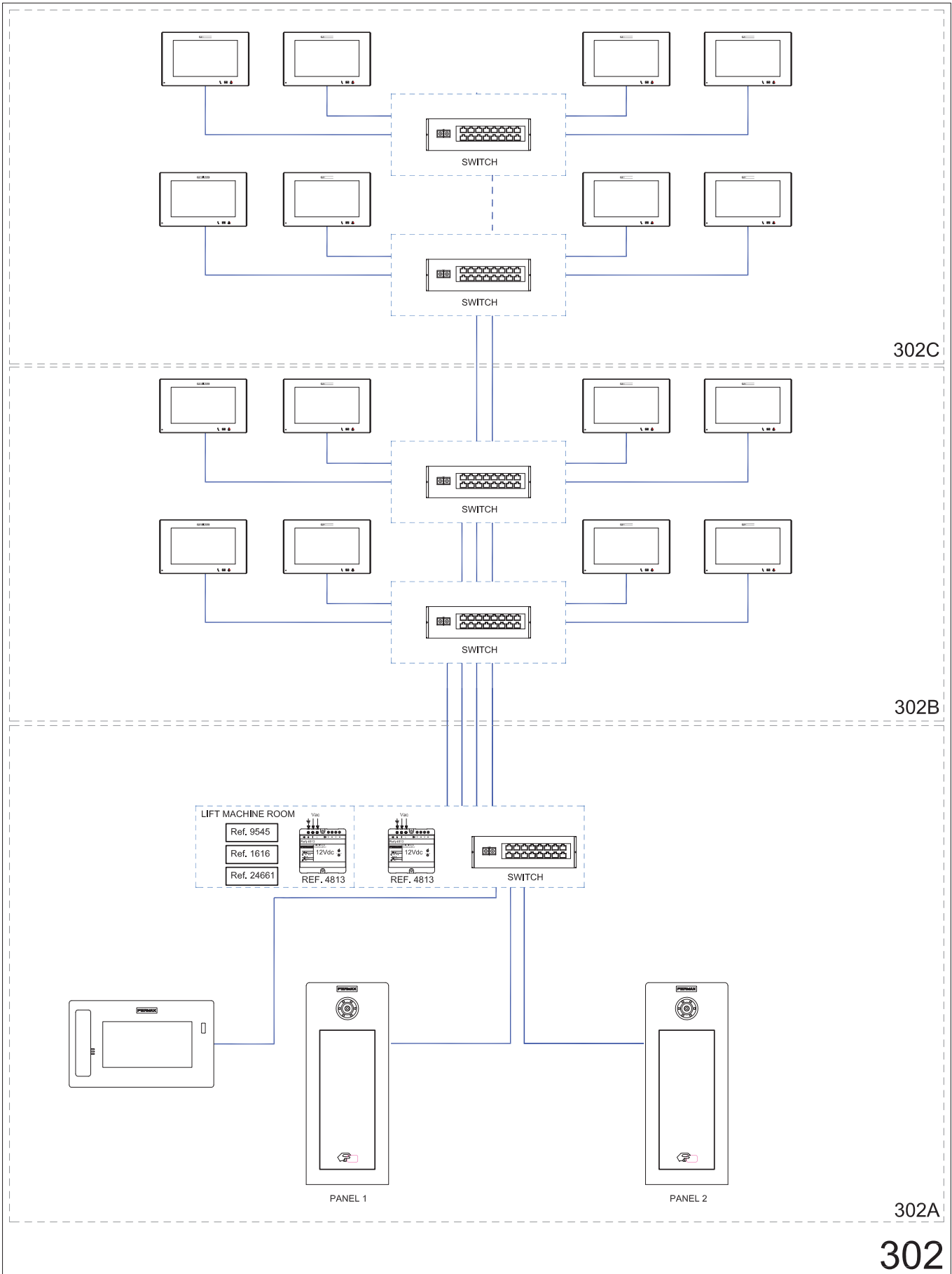


301C

**300: 1 INDIVIDUAL BLOCK: 2 Outdoor Panels + Guard Unit + Lift Control Unit. 4 Monitor per floor distribution.**

**302: All PoE Devices (Panels & Monitors)**

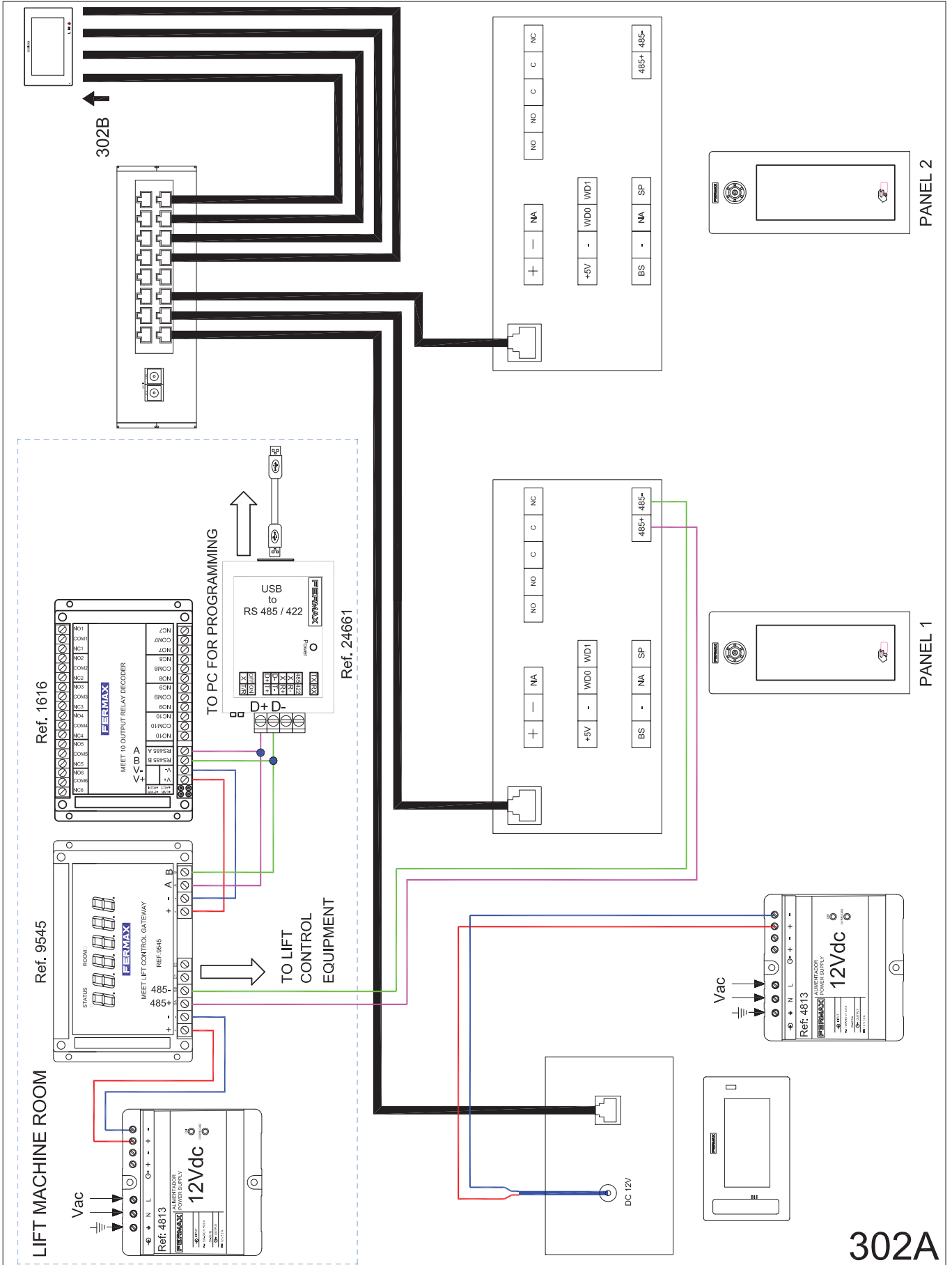
302 - SINGLE-LINE DIAGRAM.



300: 1 INDIVIDUAL BLOCK: 2 Outdoor Panels + Guard Unit + Lift Control Unit. 4 Monitor per floor distribution.

302: All PoE Devices (Panels & Monitors)

302A - WIRING DIAGRAM. Connection detail: Outdoor panels + Guard Unit + Lift Control.

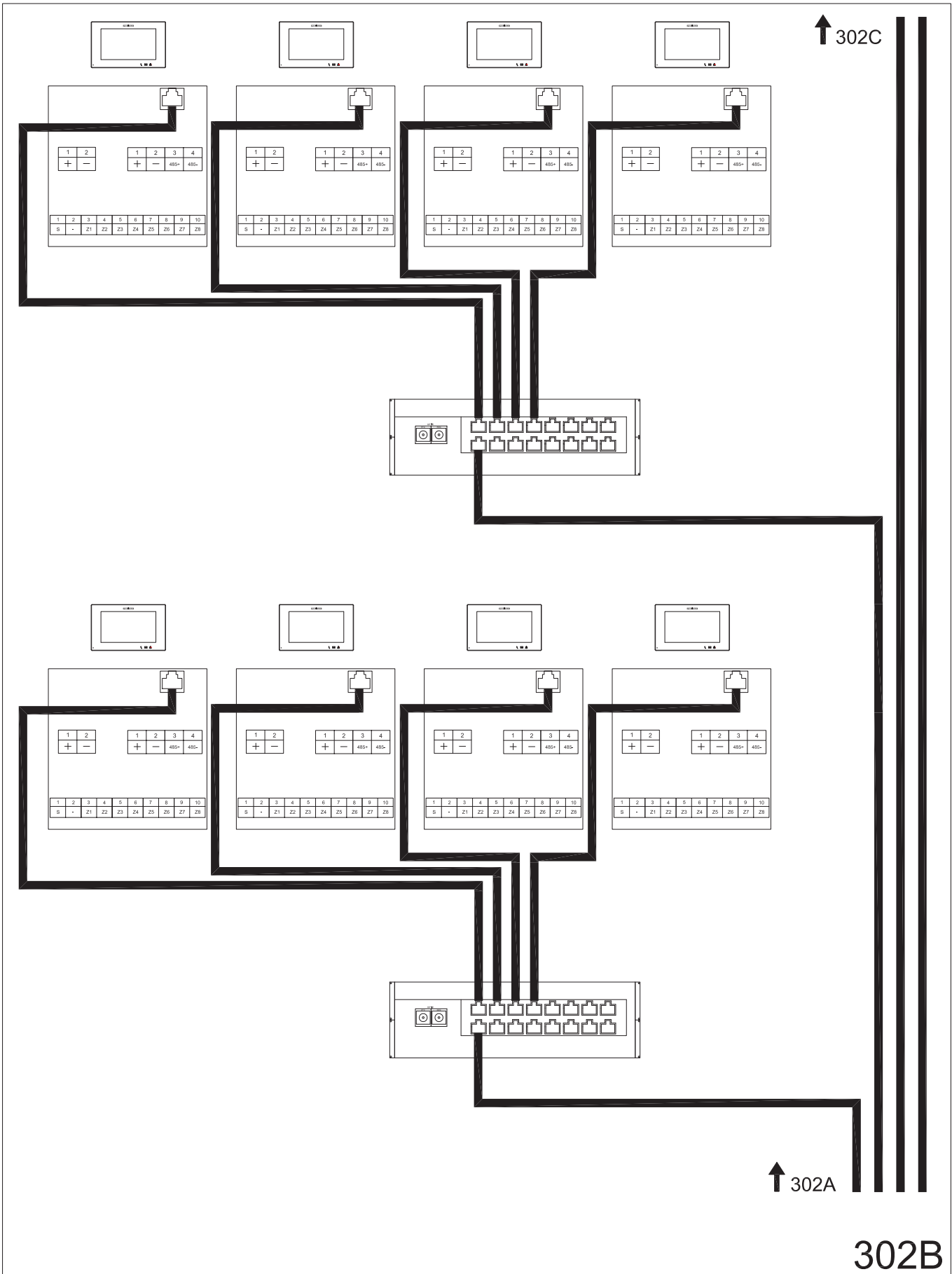


302A

**300: 1 INDIVIDUAL BLOCK: 2 Outdoor Panels + Guard Unit + Lift Control Unit. 4 Monitor per floor distribution.**

**302: All PoE Devices (Panels & Monitors)**

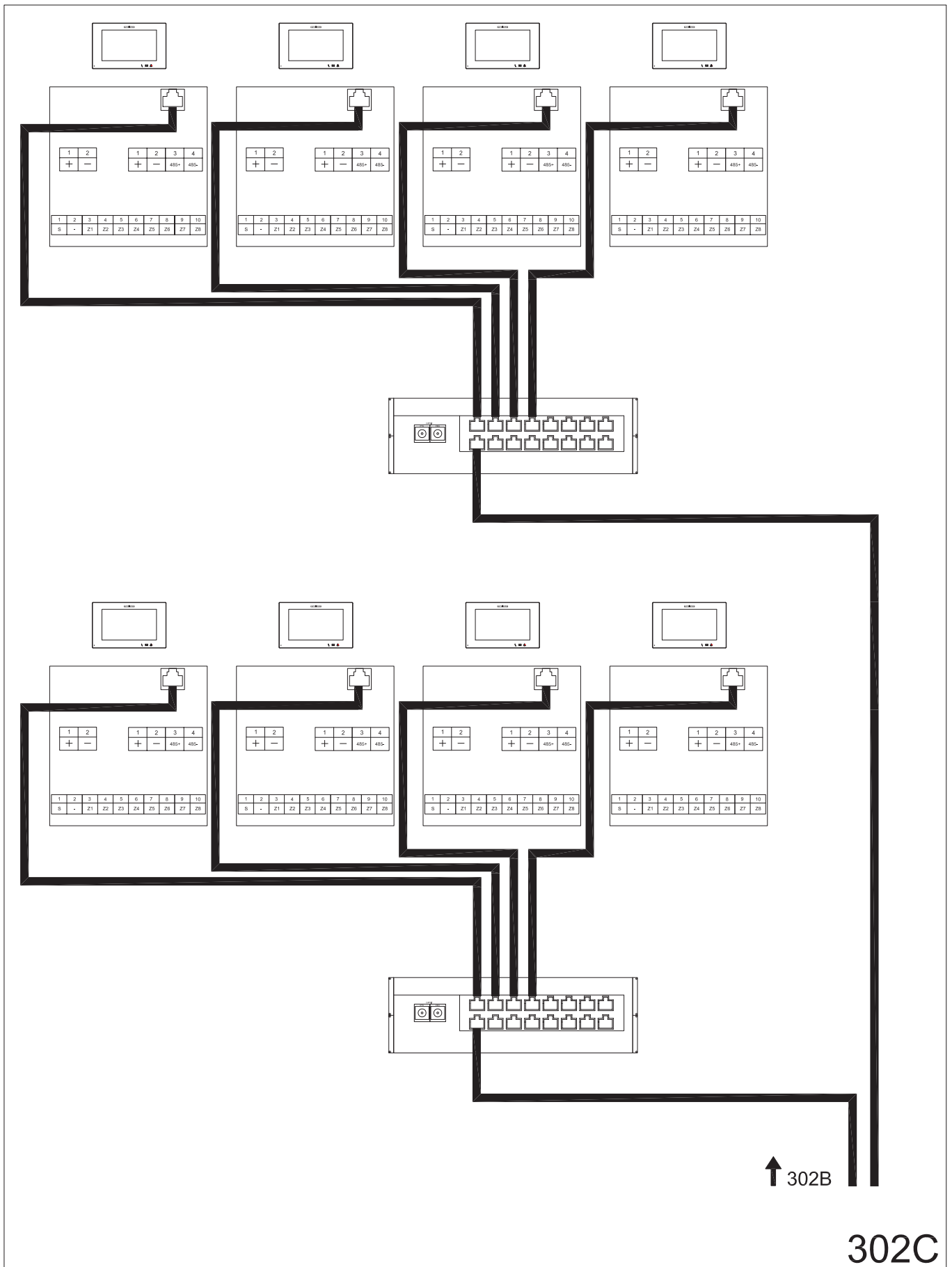
302B - WIRING DIAGRAM. Connection detail: Floors. 4 Monitor per floor distribution.



**300: 1 INDIVIDUAL BLOCK: 2 Outdoor Panels + Guard Unit + Lift Control Unit. 4 Monitor per floor distribution.**

**302: All PoE Devices (Panels & Monitors)**

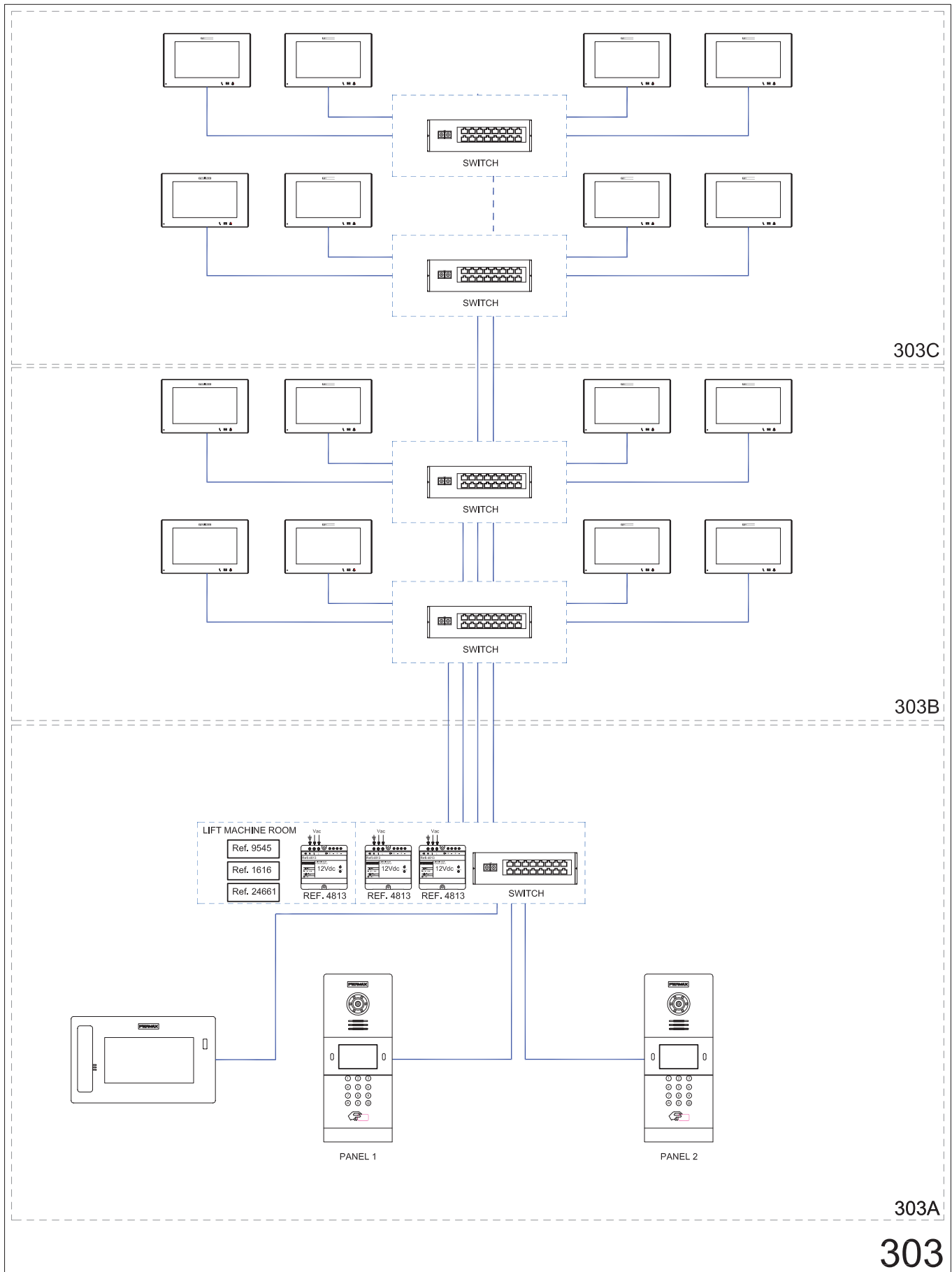
302C - WIRING DIAGRAM. Connection detail: Floors. 4 Monitor per floor distribution.



300: 1 INDIVIDUAL BLOCK: 2 Outdoor Panels + Guard Unit + Lift Control Unit. 4 Monitor per floor distribution.

303: Non-PoE Panels – PoE Monitors

303 - SINGLE-LINE DIAGRAM.



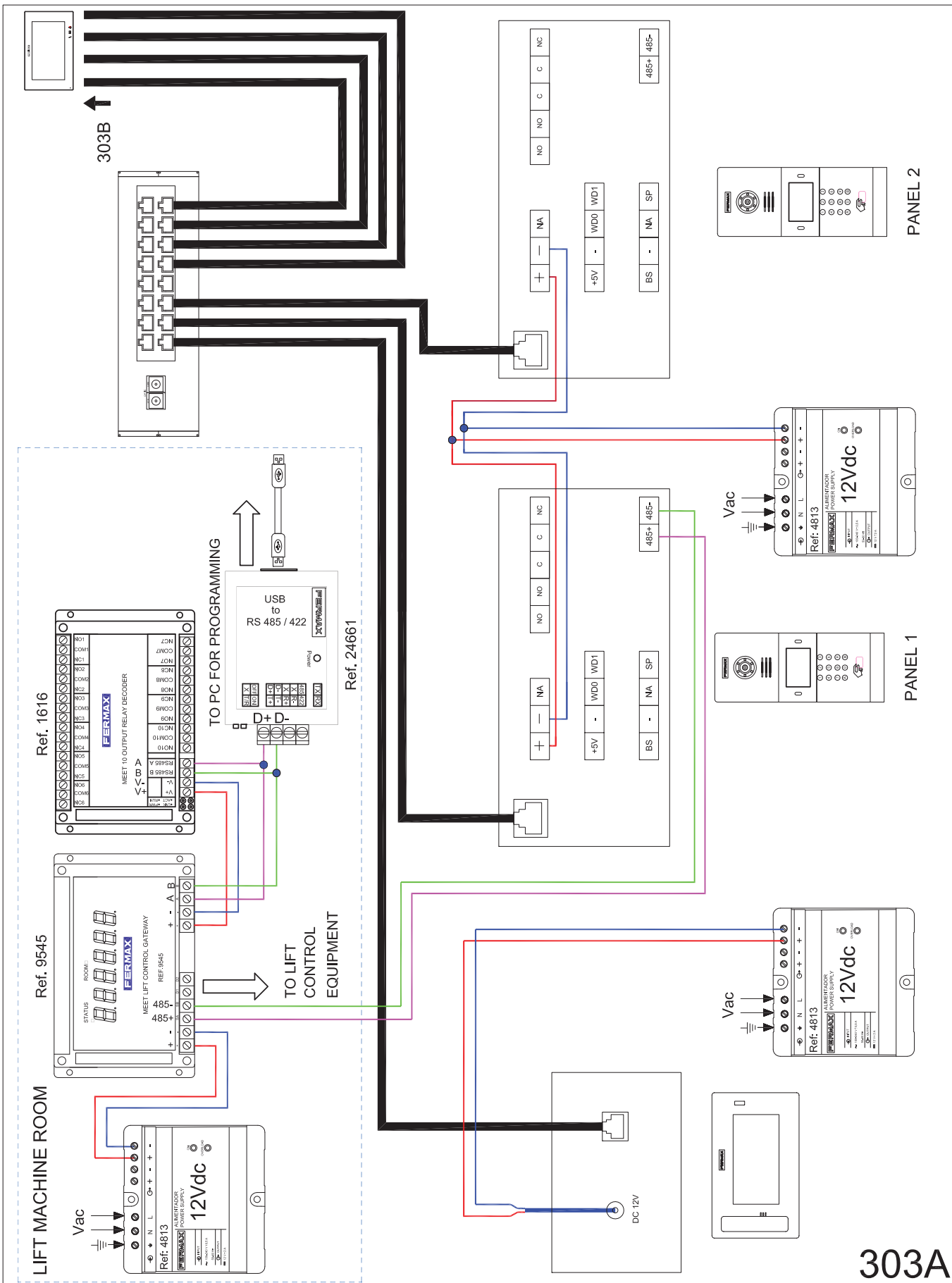
303



300: 1 INDIVIDUAL BLOCK: 2 Outdoor Panels + Guard Unit + Lift Control Unit. 4 Monitor per floor distribution.

303: Non-PoE Panels – PoE Monitors

303A - WIRING DIAGRAM. Connection detail: Outdoor panels + Guard Unit + Lift Control.

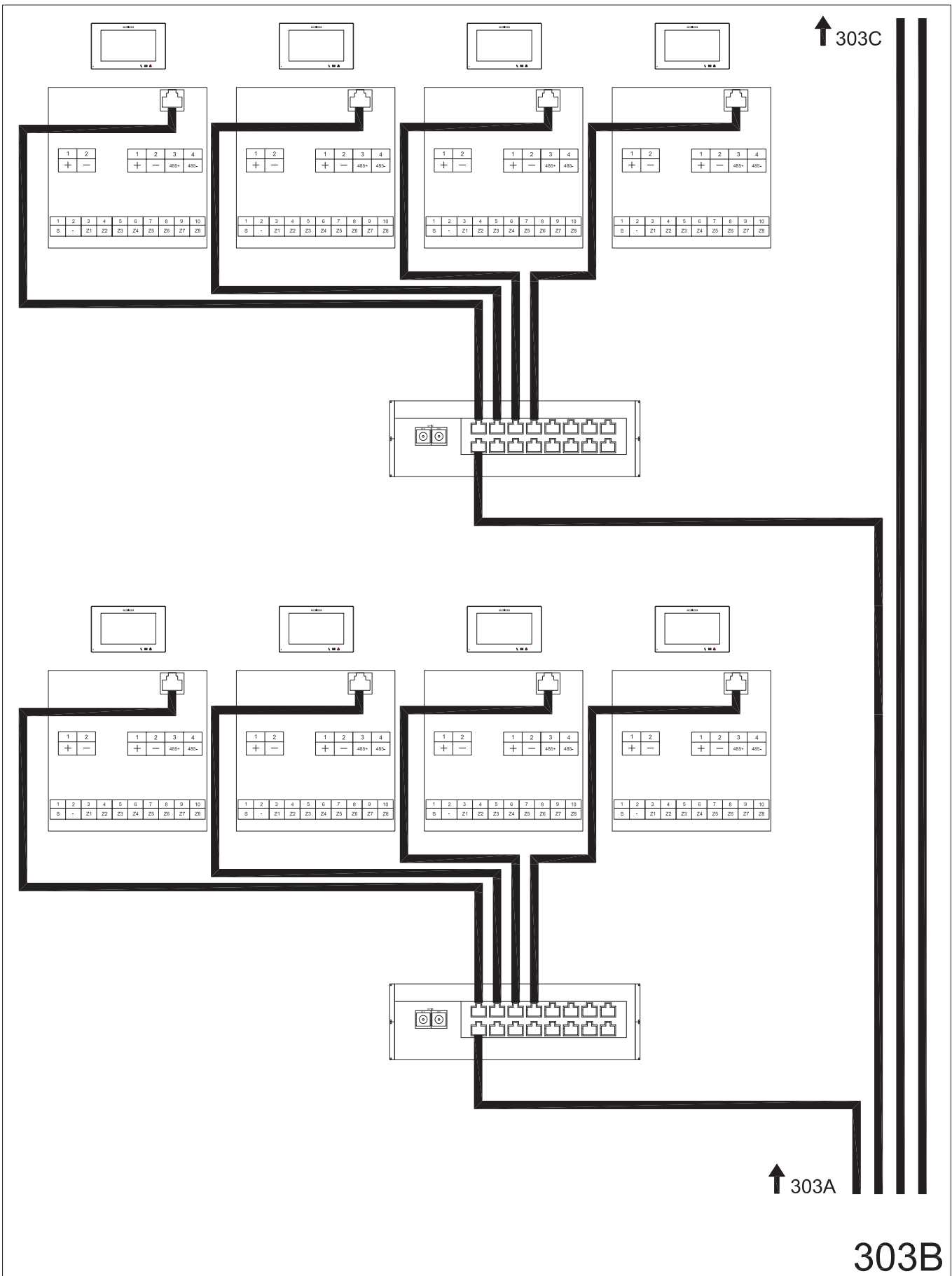


303A

**300: 1 INDIVIDUAL BLOCK: 2 Outdoor Panels + Guard Unit + Lift Control Unit. 4 Monitor per floor distribution.**

**303: Non-PoE Panels – PoE Monitors**

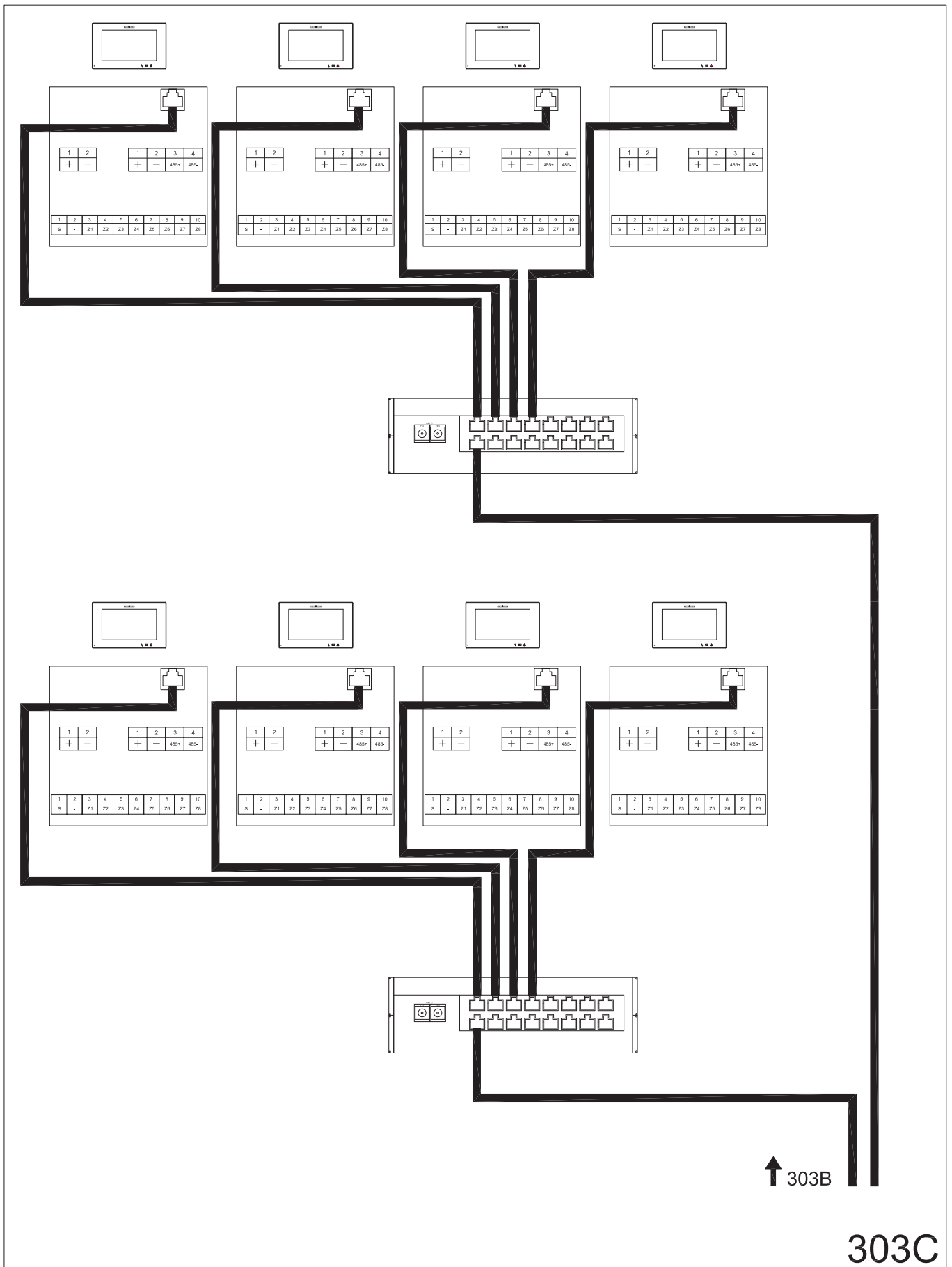
303B - WIRING DIAGRAM. Connection detail: Floors. 4 Monitor per floor distribution.



**300: 1 INDIVIDUAL BLOCK: 2 Outdoor Panels + Guard Unit + Lift Control Unit. 4 Monitor per floor distribution.**

**303: Non-PoE Panels – PoE Monitors**

303C - WIRING DIAGRAM. Connection detail: Floors. 4 Monitor per floor distribution.

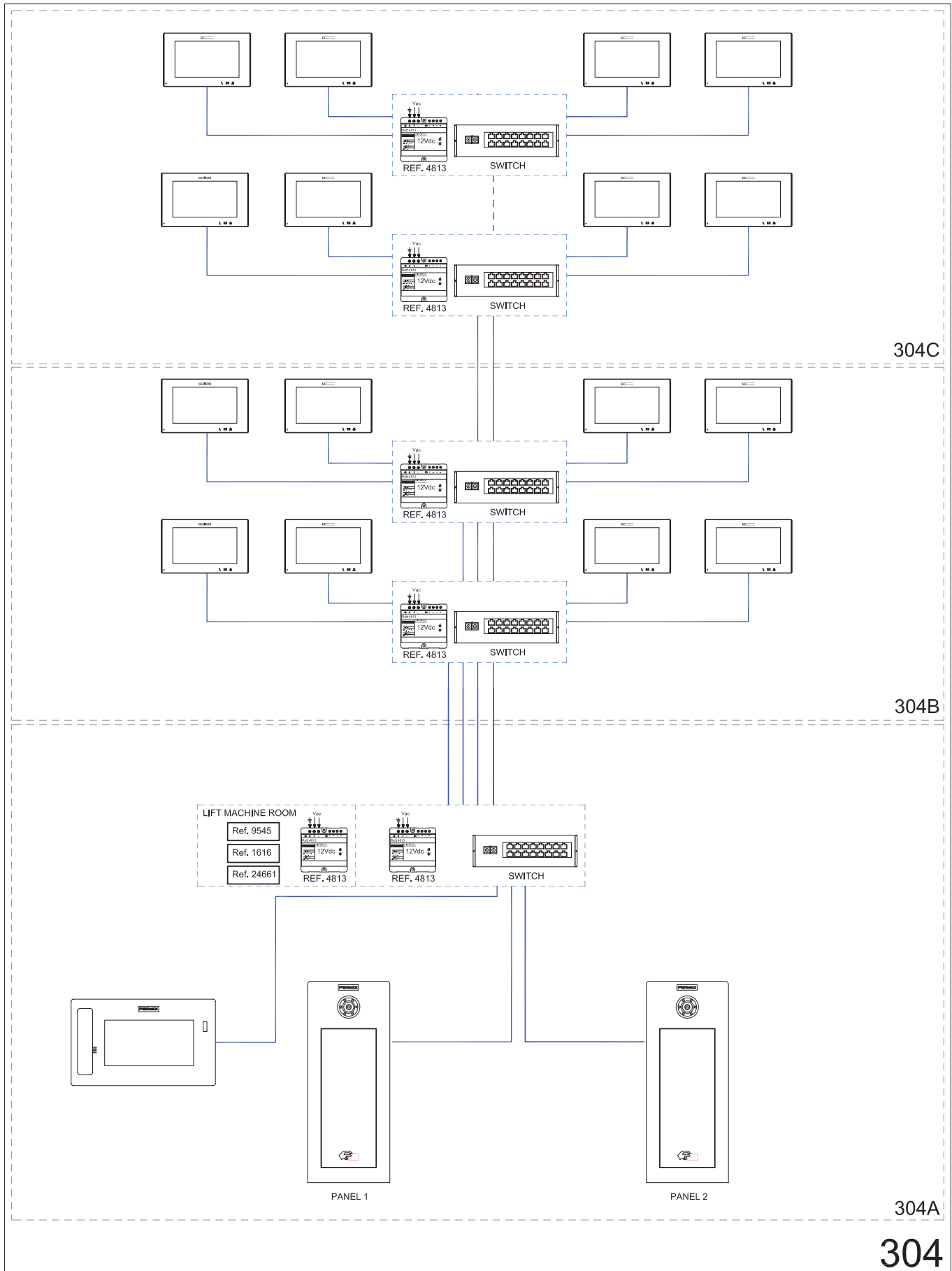


303C

300: 1 INDIVIDUAL BLOCK: 2 Outdoor Panels + Guard Unit + Lift Control Unit. 4 Monitor per floor distribution.

304: PoE Panels – Non PoE Monitors

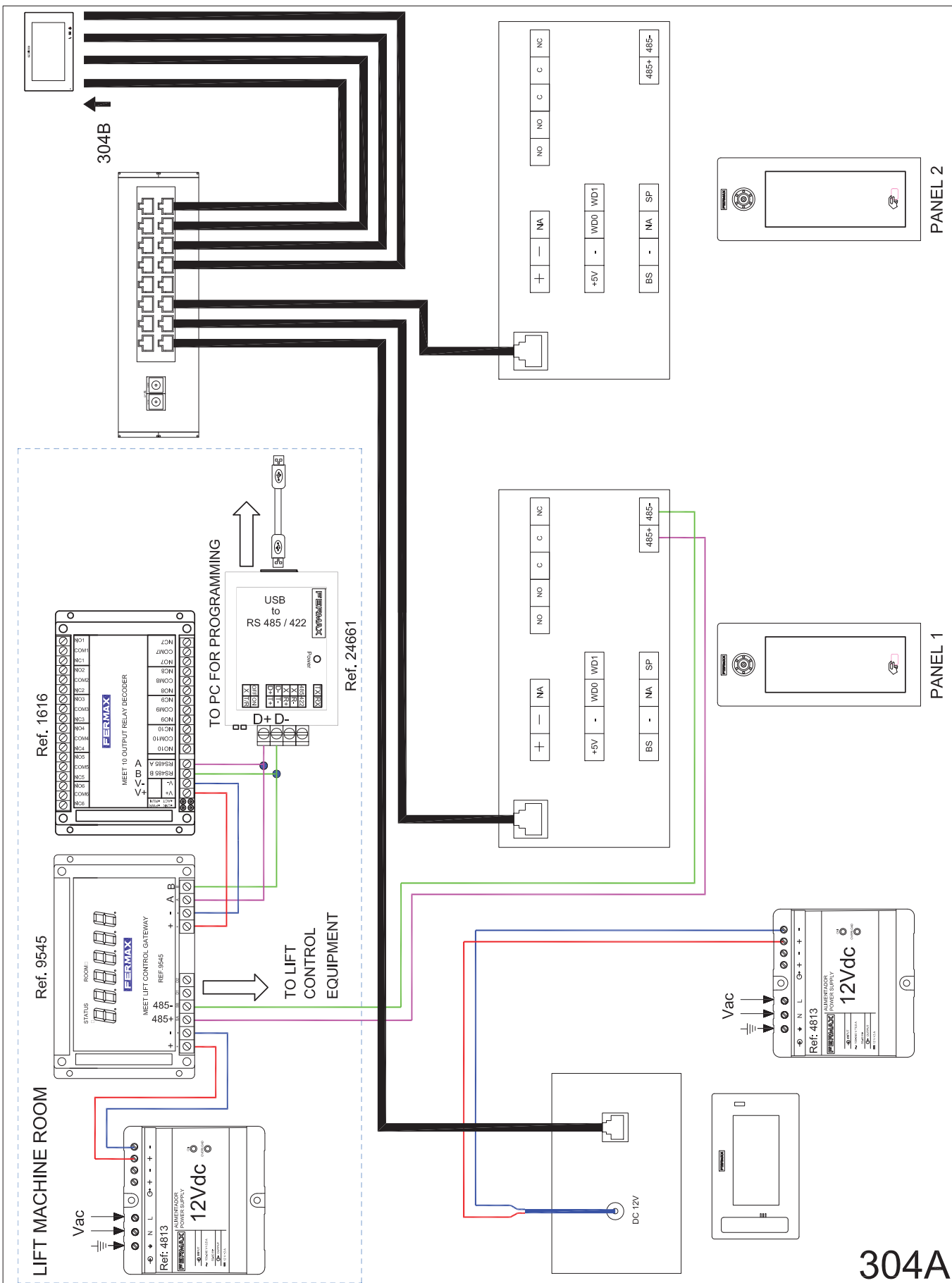
304 - SINGLE-LINE DIAGRAM.



300: 1 INDIVIDUAL BLOCK: 2 Outdoor Panels + Guard Unit + Lift Control Unit. 4 Monitor per floor distribution.

304: PoE Panels – Non PoE Monitors

304A - WIRING DIAGRAM. Connection detail: Outdoor panels + Guard Unit + Lift Control.

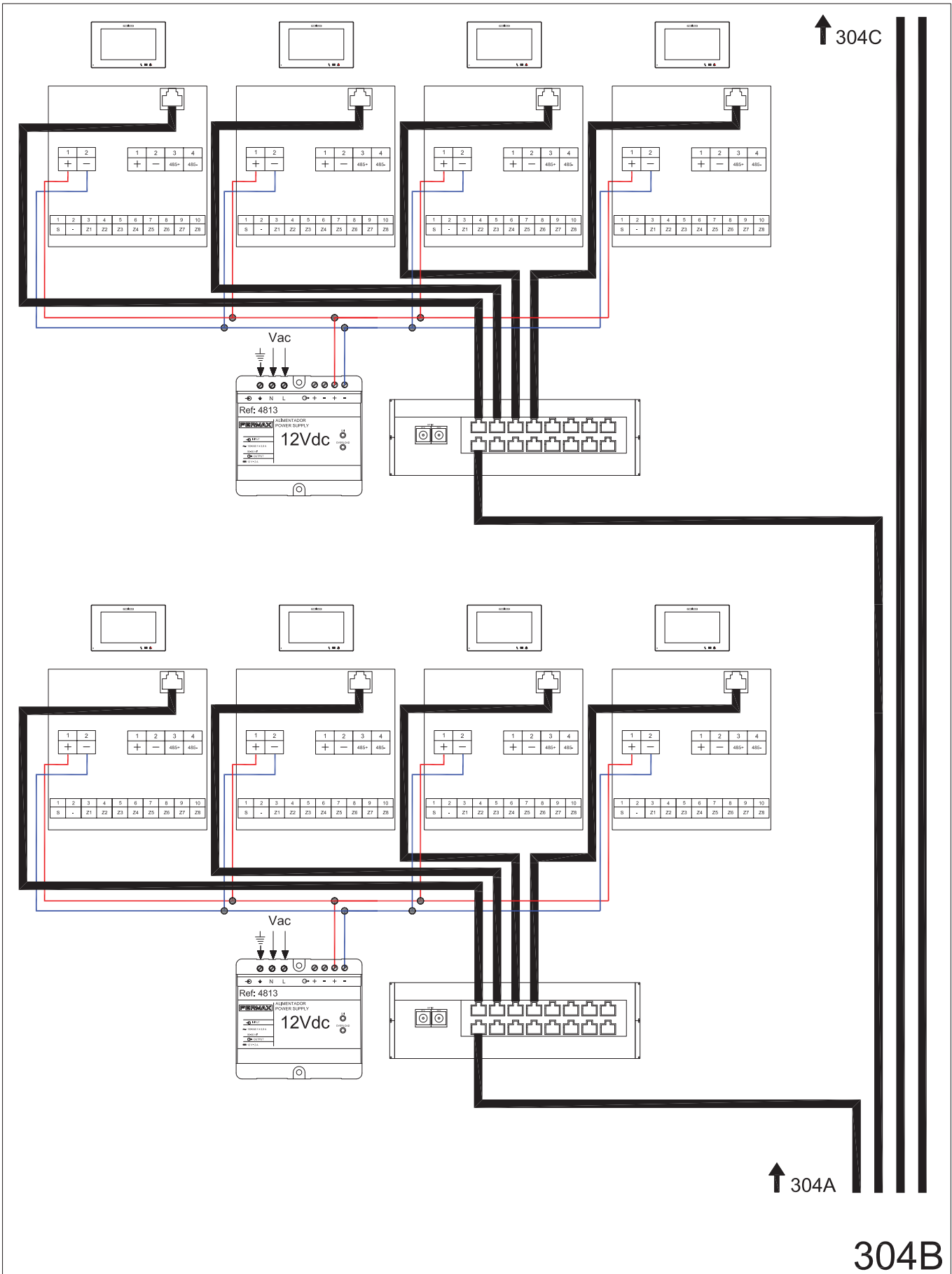


304A

300: 1 INDIVIDUAL BLOCK: 2 Outdoor Panels + Guard Unit + Lift Control Unit. 4 Monitor per floor distribution.

304: PoE Panels – Non PoE Monitors

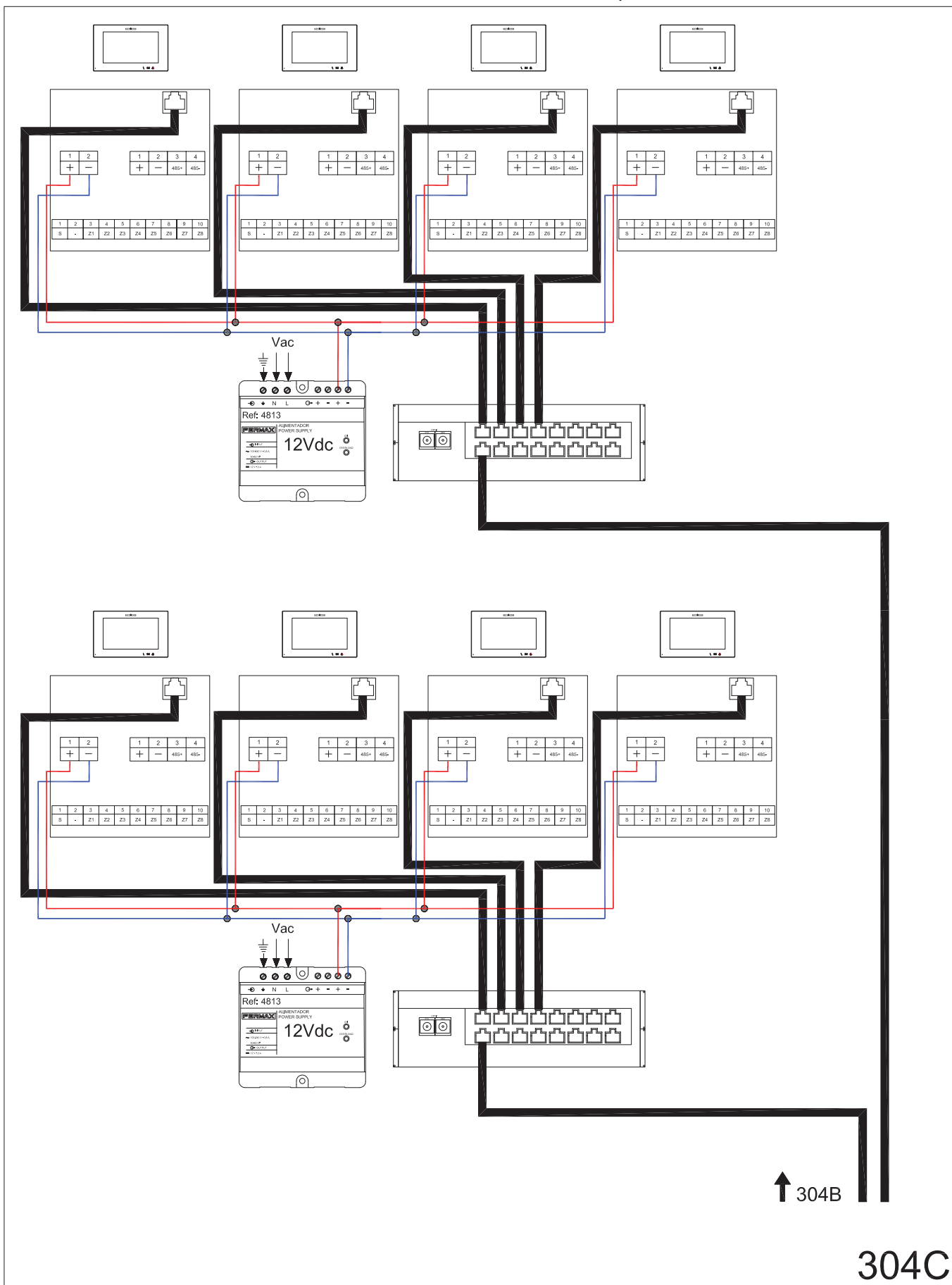
304B - WIRING DIAGRAM. Connection detail: Floors. 4 Monitor per floor distribution.



**300: 1 INDIVIDUAL BLOCK: 2 Outdoor Panels + Guard Unit + Lift Control Unit. 4 Monitor per floor distribution.**

**304: PoE Panels – Non PoE Monitors**

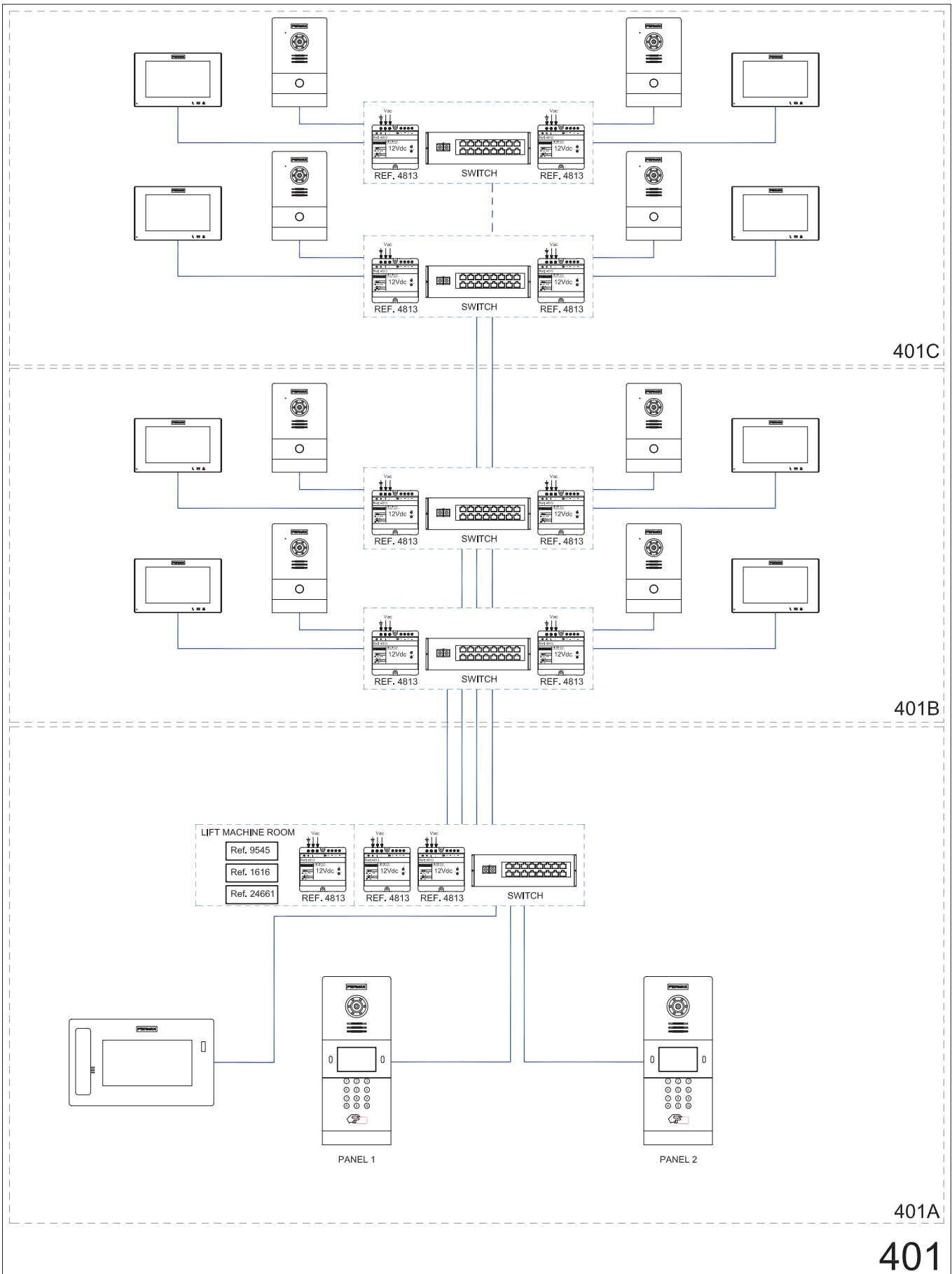
304C - WIRING DIAGRAM. Connection detail: Floors. 4 Monitor per floor distribution.



400: 1 INDIVIDUAL BLOCK: 2 Outdoor Panels + Guard Unit + Lift Control Unit. Two 1W Outdoor Panels + Monitor per floor distribution.

401: Non-PoE Devices (Panels & Monitors)

401 - SINGLE-LINE DIAGRAM.

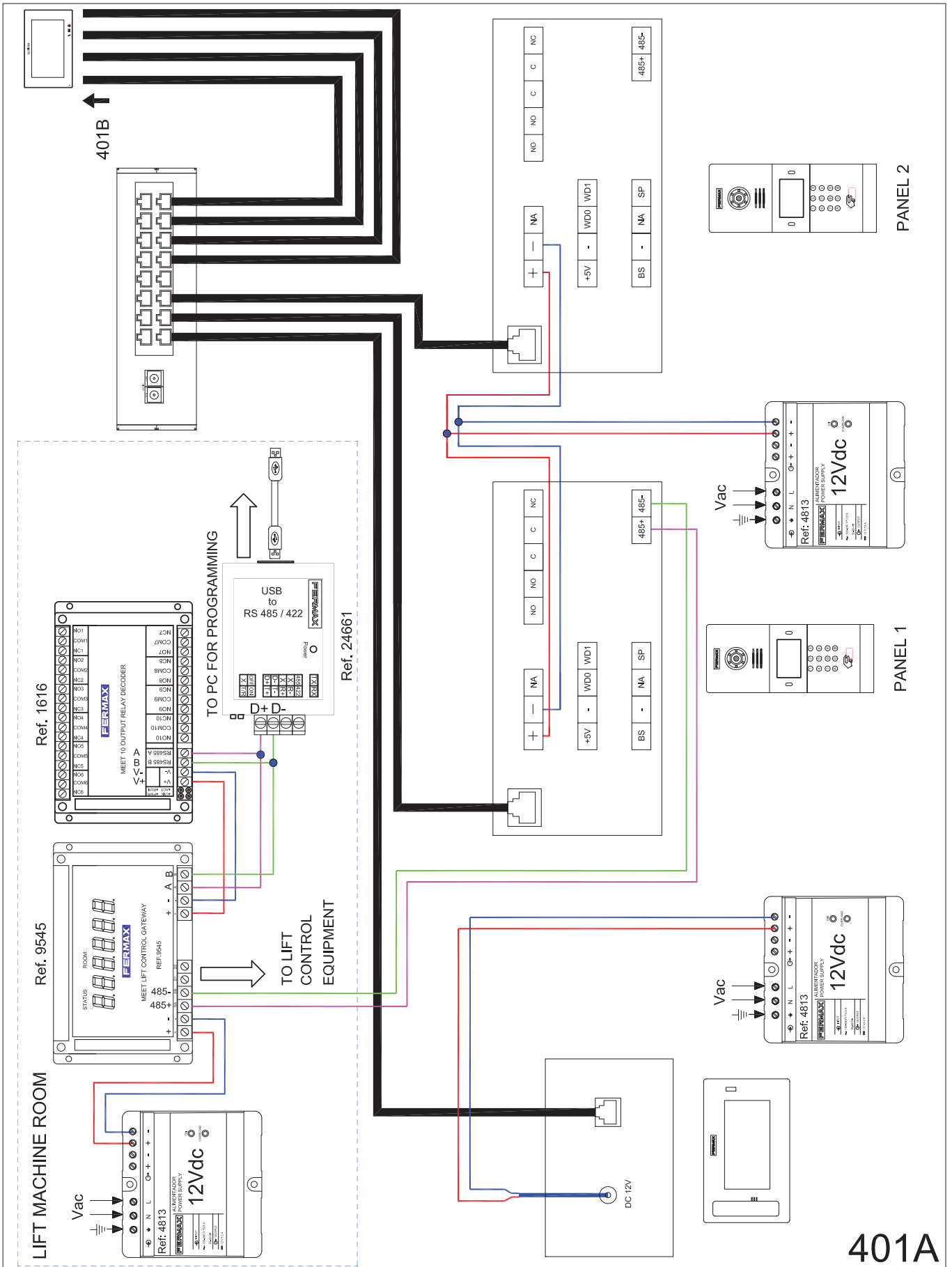




**400: 1 INDIVIDUAL BLOCK: 2 Outdoor Panels + Guard Unit + Lift Control Unit. Two 1W Outdoor Panels + Monitor per floor distribution.**

**401: Non-PoE Devices (Panels & Monitors)**

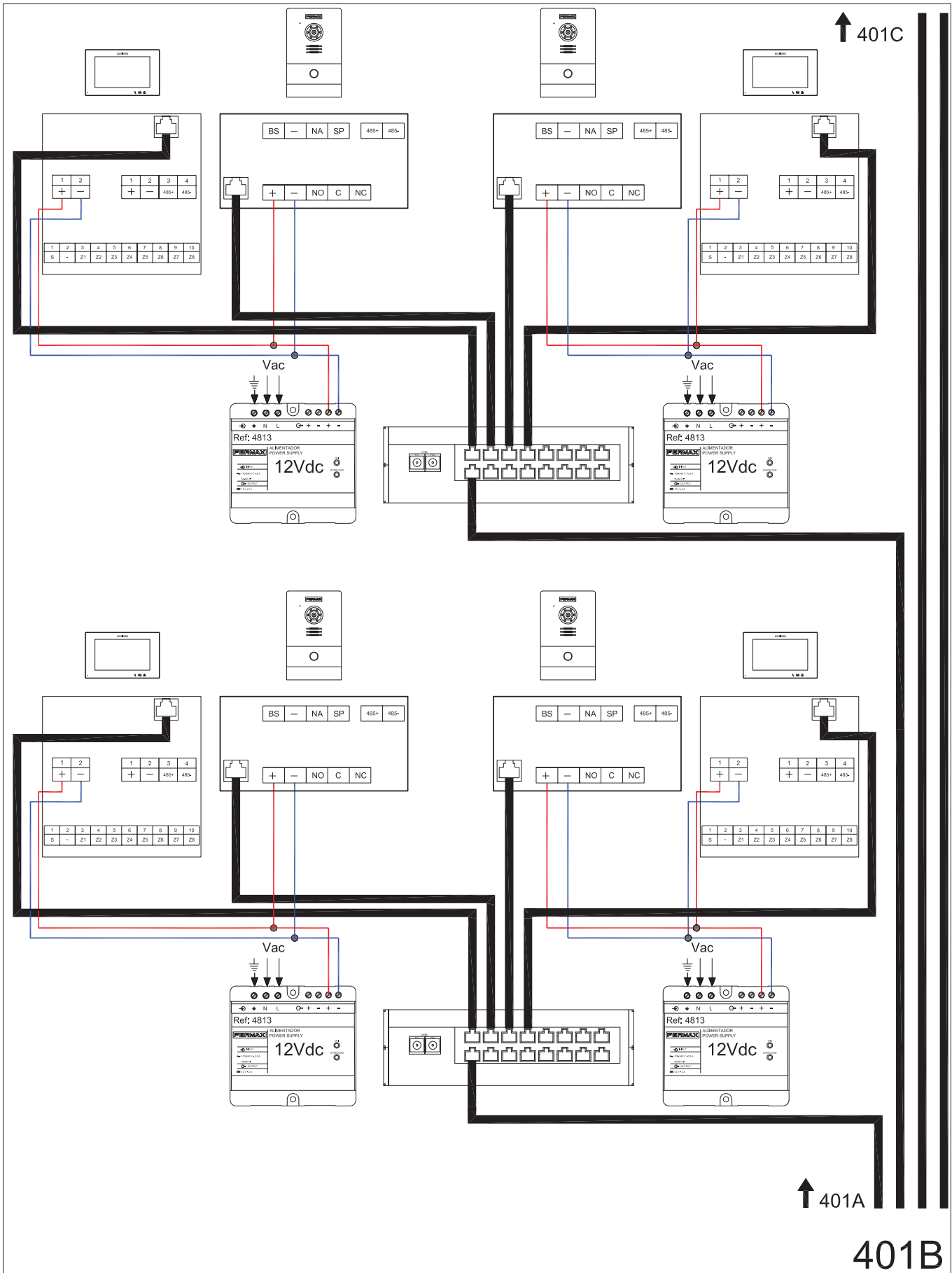
401A - WIRING DIAGRAM. Connection detail: Outdoor panels + Guard Unit + Lift Control.



**400: 1 INDIVIDUAL BLOCK: 2 Outdoor Panels + Guard Unit + Lift Control Unit. Two 1W Outdoor Panels + Monitor per floor distribution.**

**401: Non-PoE Devices (Panels & Monitors)**

**401B - WIRING DIAGRAM. Connection detail: Two 1W Outdoor Panels + Monitor per floor distribution.**



↑ 401C

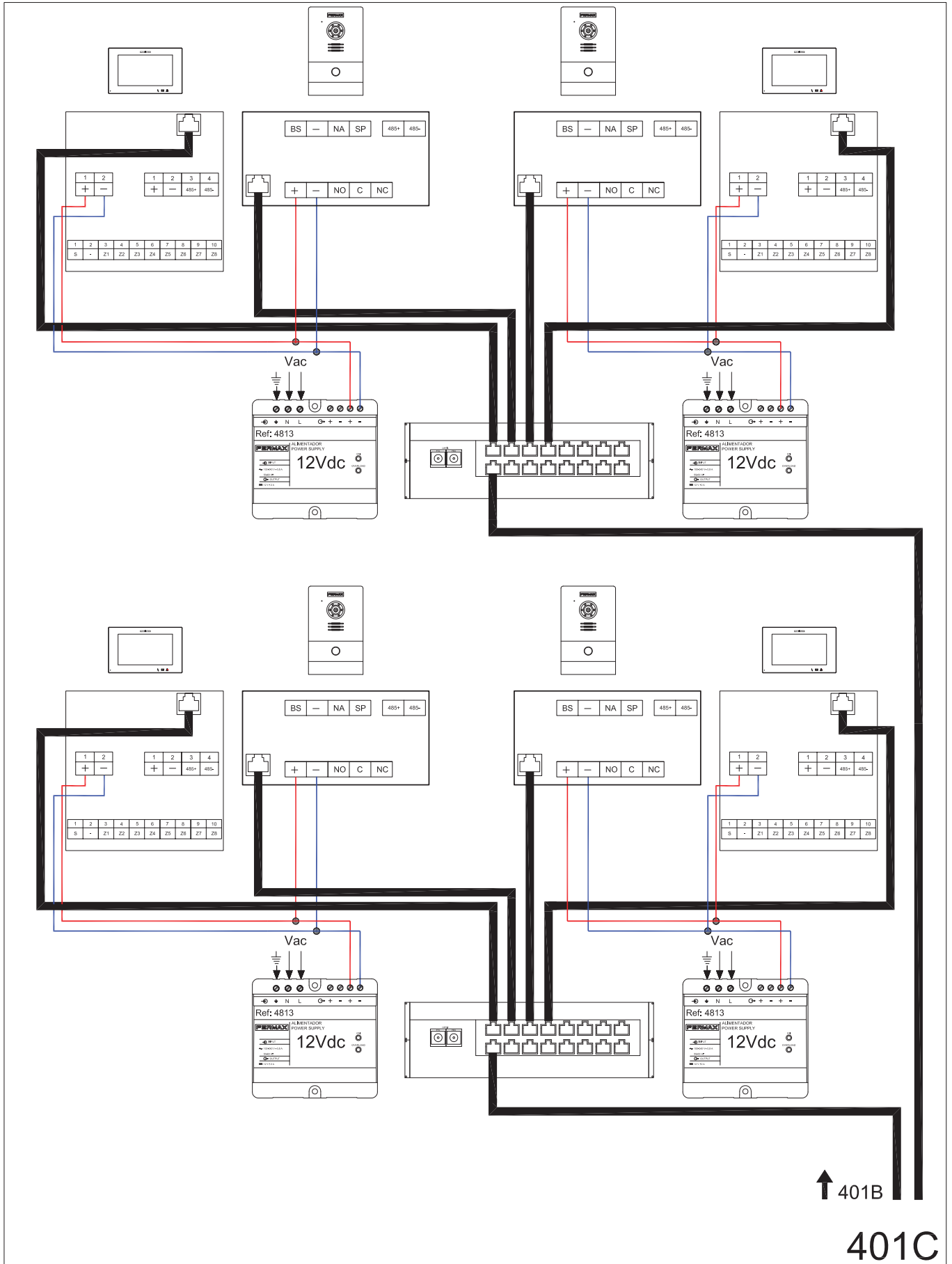
↑ 401A

401B

**400: 1 INDIVIDUAL BLOCK: 2 Outdoor Panels + Guard Unit + Lift Control Unit. Two 1W Outdoor Panels + Monitor per floor distribution.**

**401: Non-PoE Devices (Panels & Monitors)**

401C - WIRING DIAGRAM. Connection detail: Two 1W Outdoor Panels + Monitor per floor distribution.

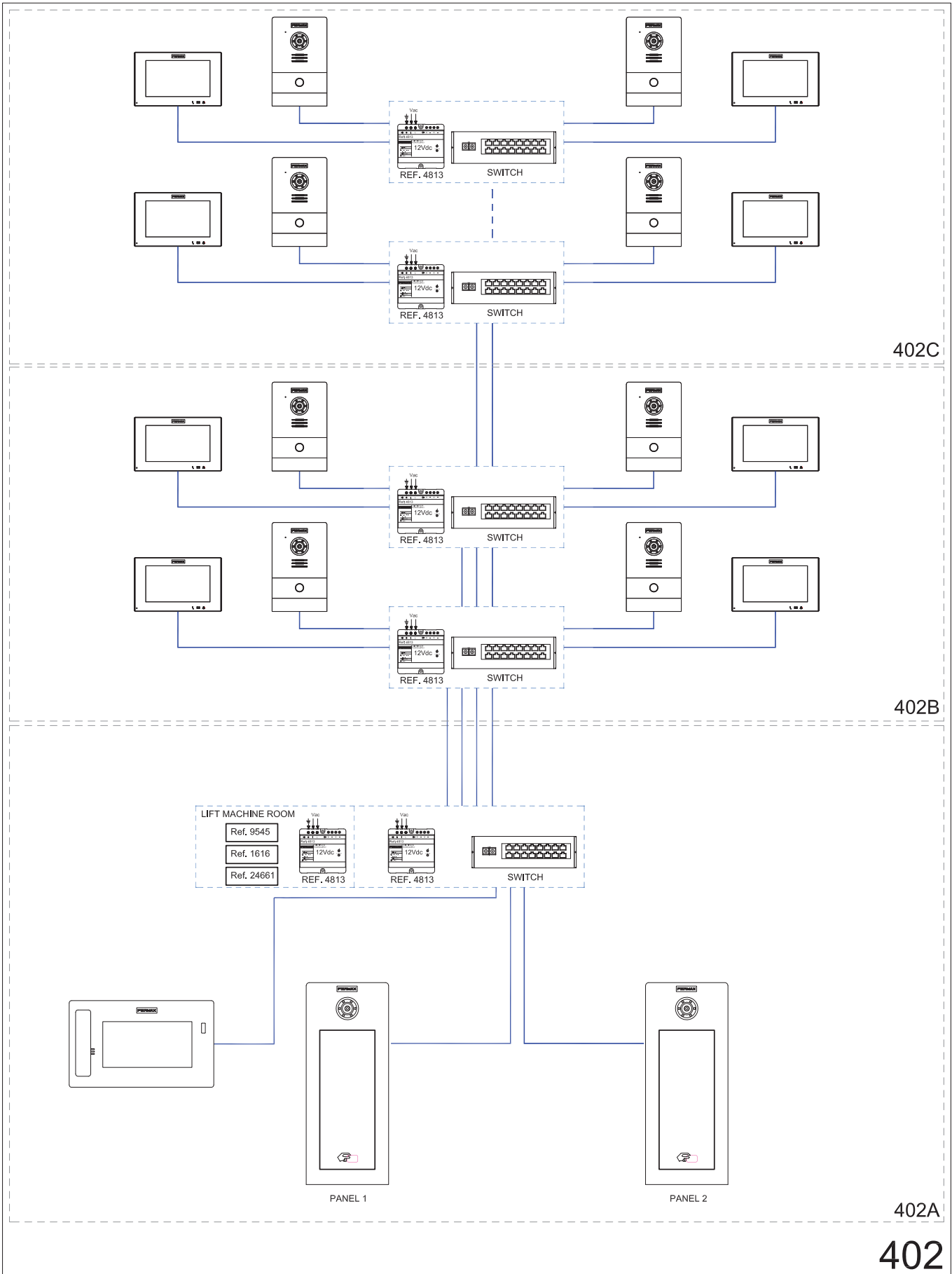


↑ 401B  
401C

400: 1 INDIVIDUAL BLOCK: 2 Outdoor Panels + Guard Unit + Lift Control Unit. Two 1W Outdoor Panels + Monitor per floor distribution.

402: All PoE Devices (Panels & Monitors)

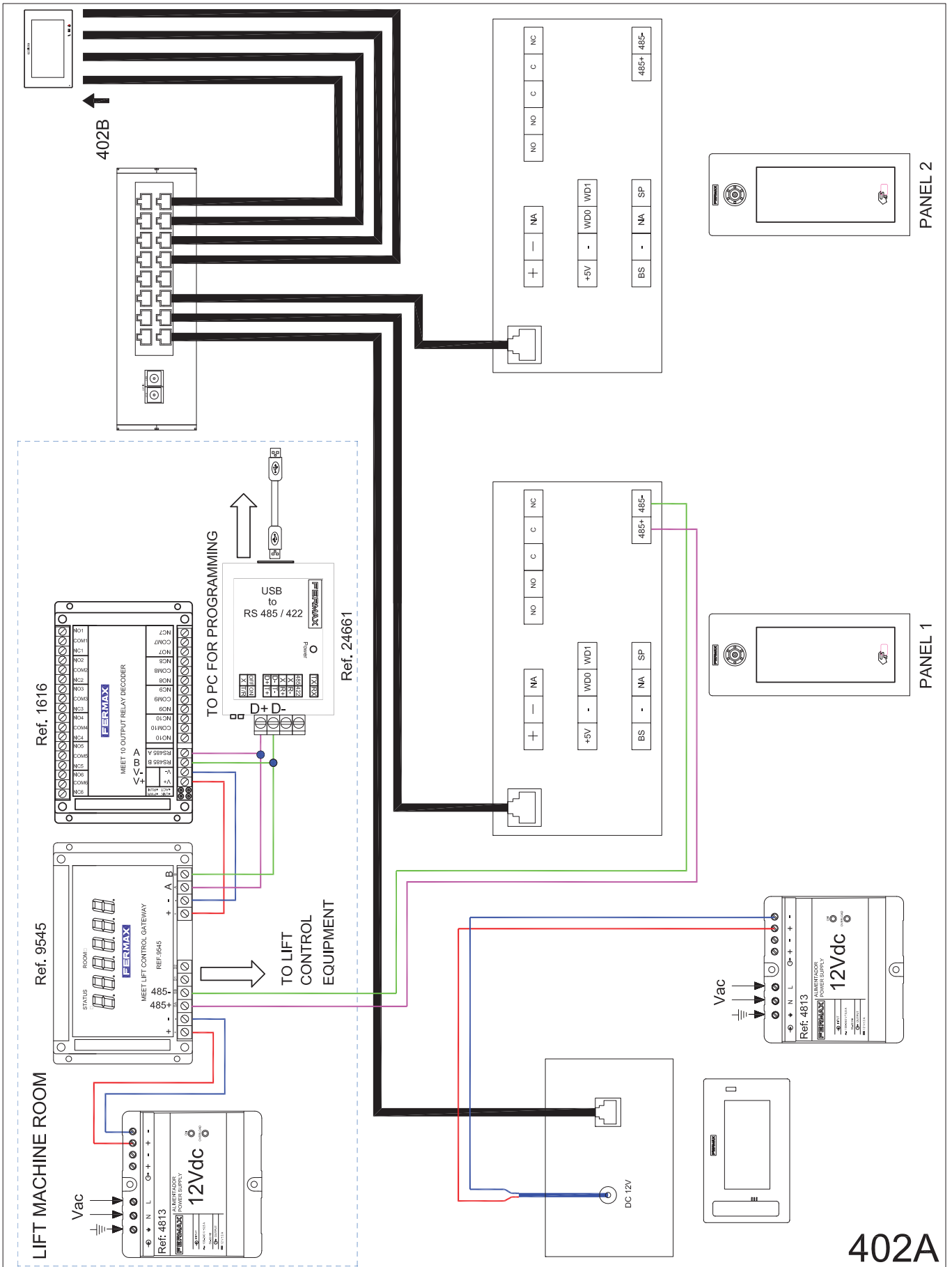
402 - SINGLE-LINE DIAGRAM.



**400: 1 INDIVIDUAL BLOCK: 2 Outdoor Panels + Guard Unit + Lift Control Unit. Two 1W Outdoor Panels + Monitor per floor distribution.**

**402: All PoE Devices (Panels & Monitors)**

402A - WIRING DIAGRAM. Connection detail: Outdoor panels + Guard Unit + Lift Control.

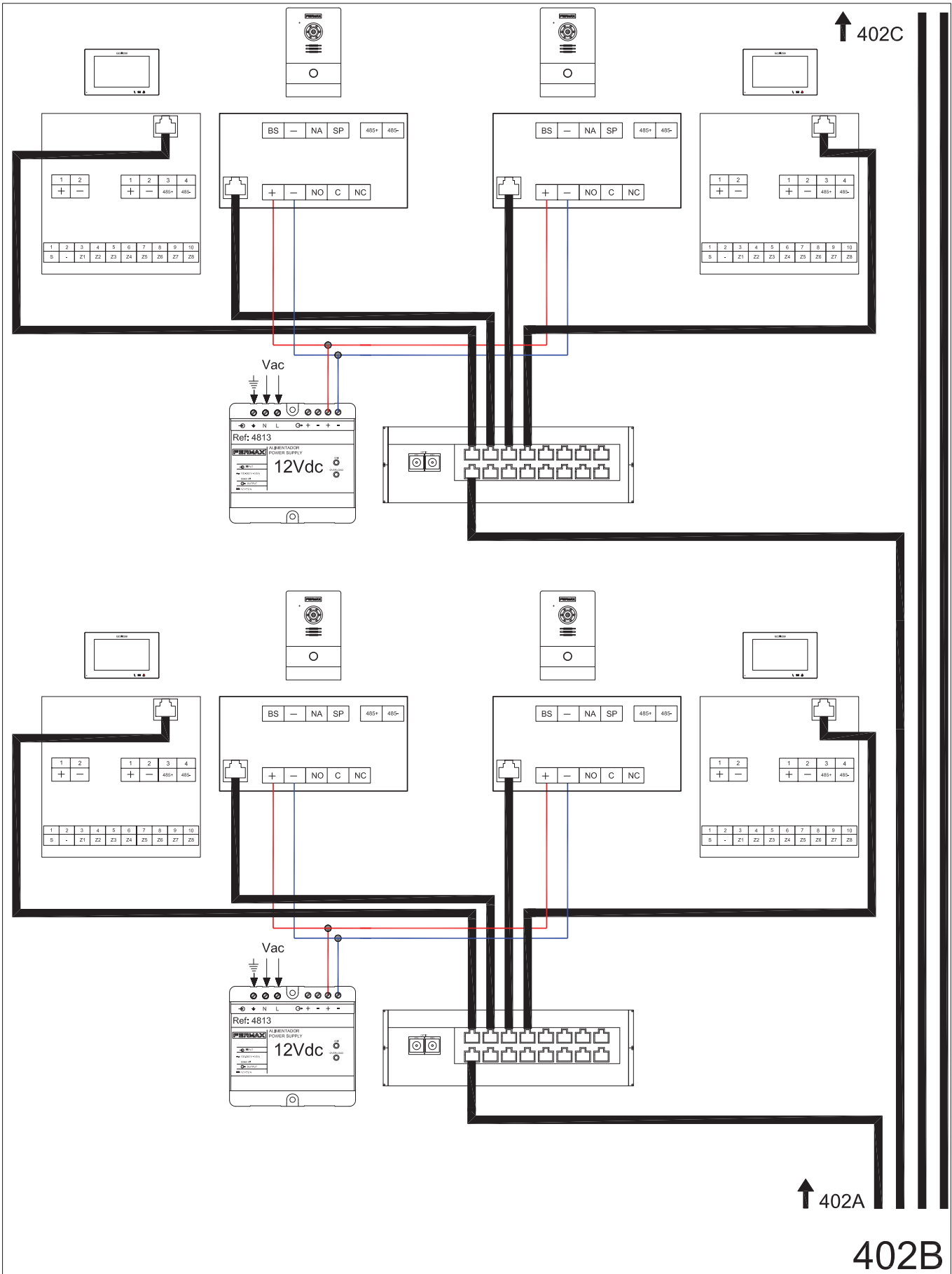


402A

**400: 1 INDIVIDUAL BLOCK: 2 Outdoor Panels + Guard Unit + Lift Control Unit. Two 1W Outdoor Panels + Monitor per floor distribution.**

**402: All PoE Devices (Panels & Monitors)**

402B - WIRING DIAGRAM. Connection detail: Two 1W Outdoor Panels + Monitor per floor distribution.



↑ 402C

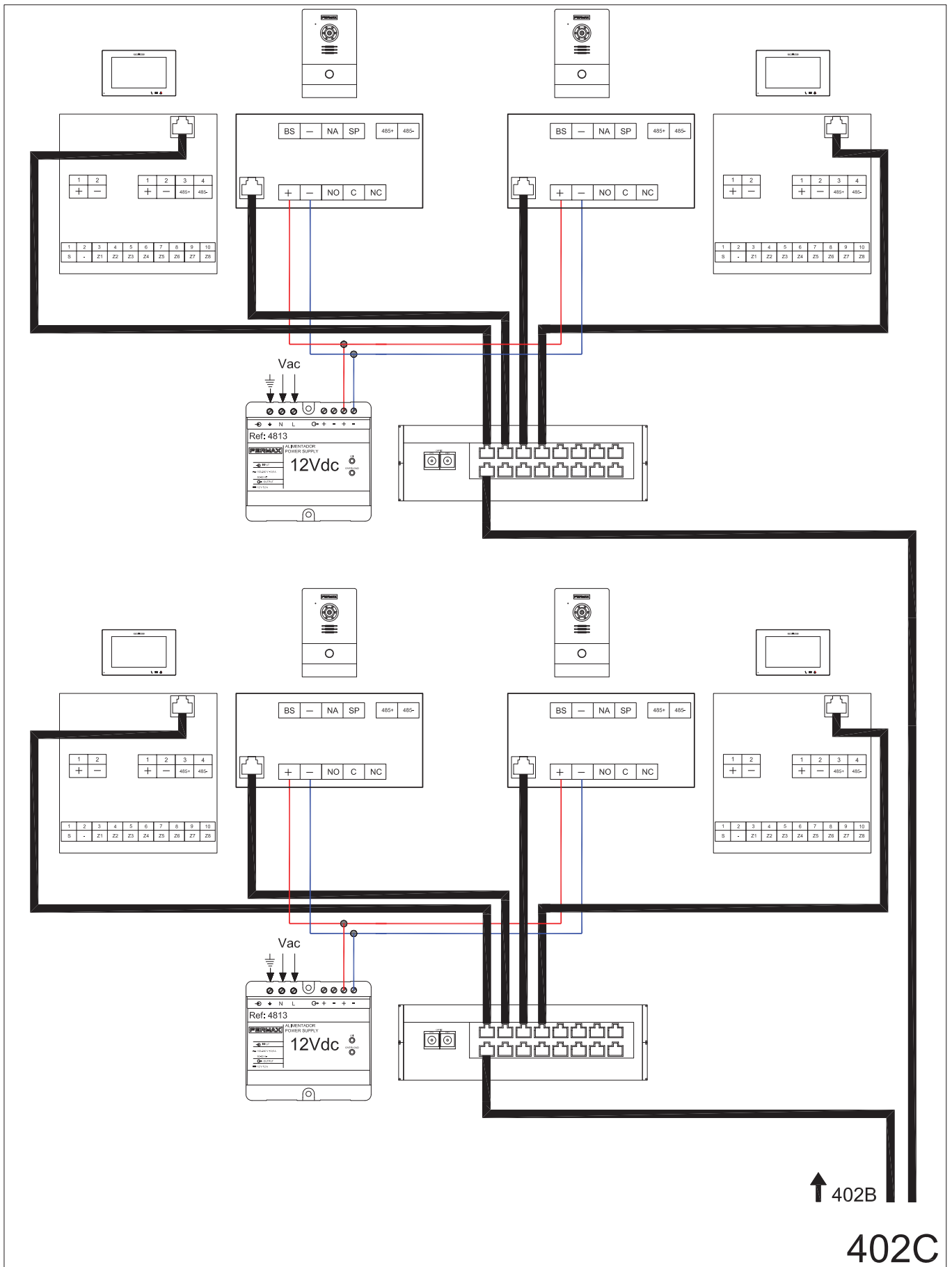
↑ 402A

402B

**400: 1 INDIVIDUAL BLOCK: 2 Outdoor Panels + Guard Unit + Lift Control Unit. Two 1W Outdoor Panels + Monitor per floor distribution.**

**402: All PoE Devices (Panels & Monitors)**

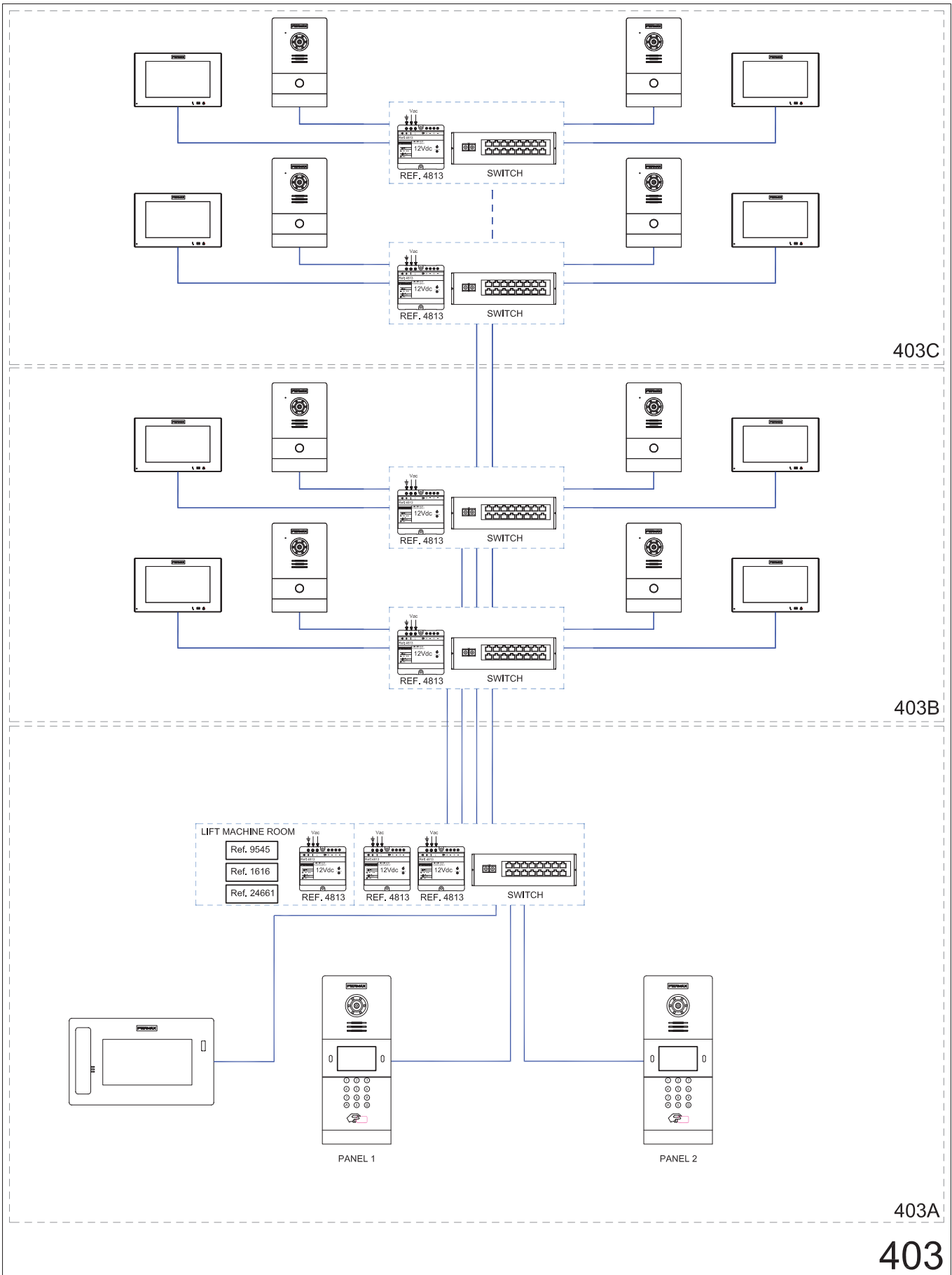
402C - WIRING DIAGRAM. Connection detail: Two 1W Outdoor Panels + Monitor per floor distribution.



**400: 1 INDIVIDUAL BLOCK: 2 Outdoor Panels + Guard Unit + Lift Control Unit. Two 1W Outdoor Panels + Monitor per floor distribution.**

**403: Non-PoE Panels – PoE Monitors**

**403 - SINGLE-LINE DIAGRAM.**

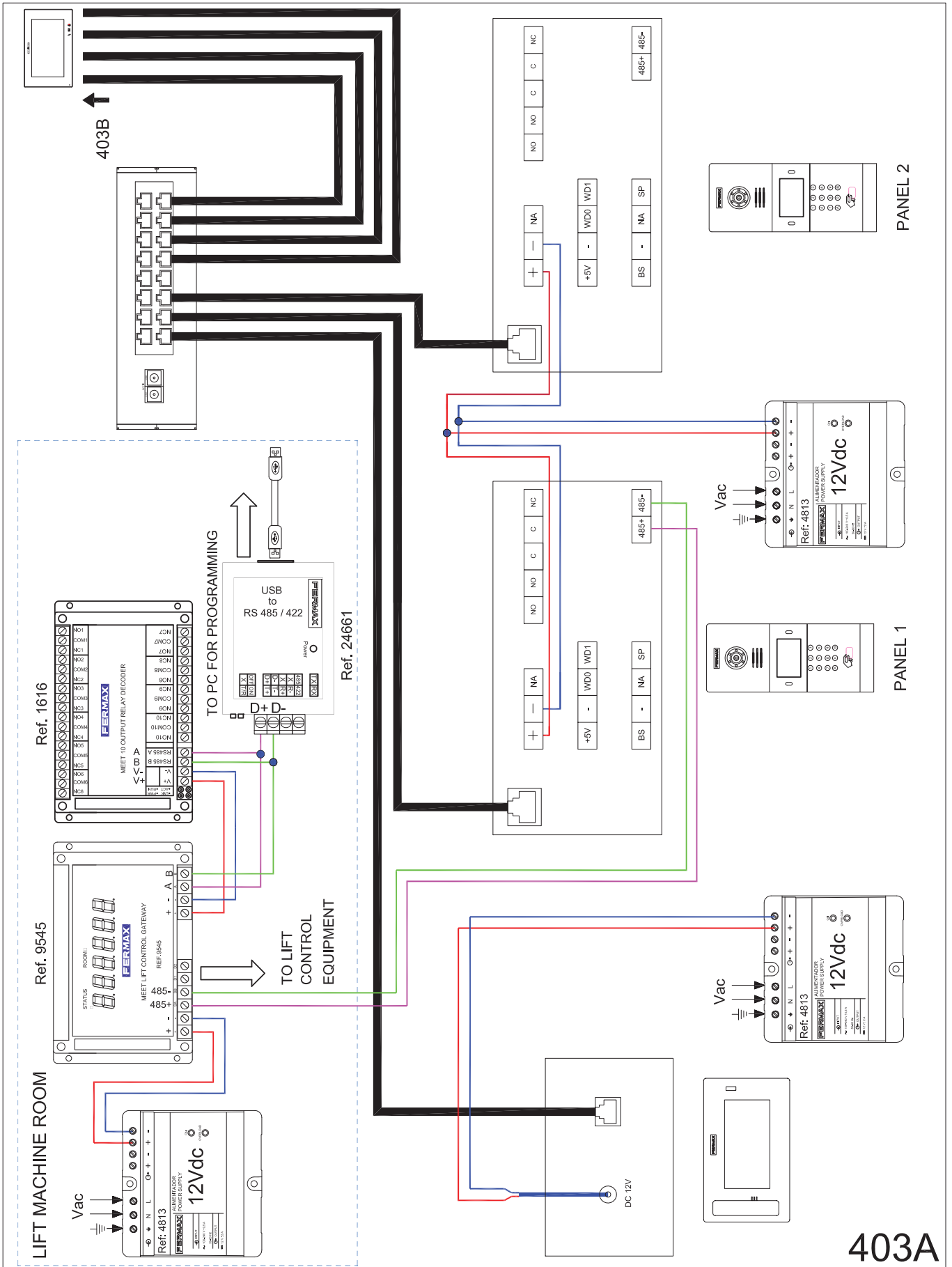




400: 1 INDIVIDUAL BLOCK: 2 Outdoor Panels + Guard Unit + Lift Control Unit. Two 1W Outdoor Panels + Monitor per floor distribution.

403: Non-PoE Panels – PoE Monitors

403A - WIRING DIAGRAM. Connection detail: Outdoor panels + Guard Unit + Lift Control.

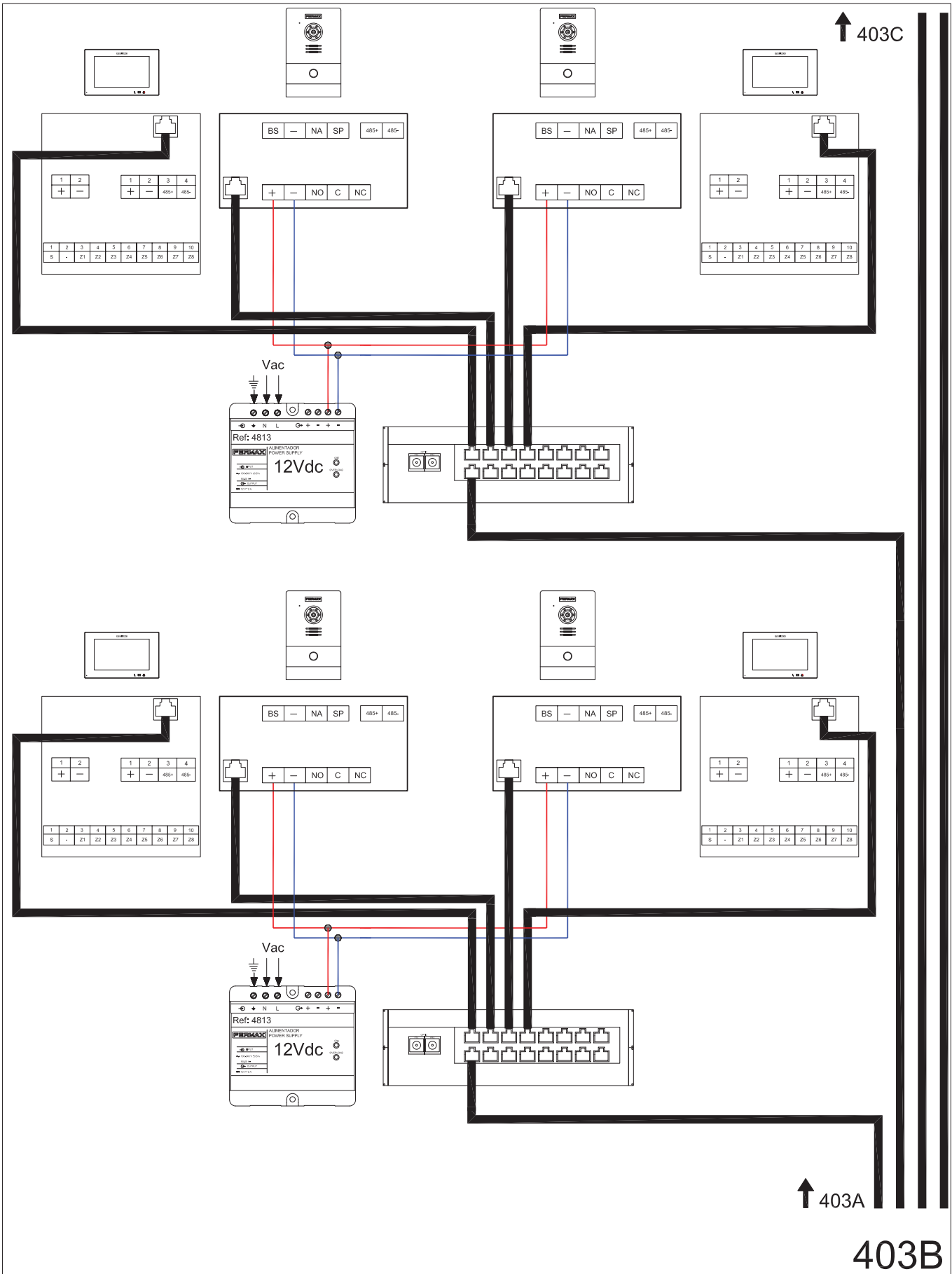


403A

**400: 1 INDIVIDUAL BLOCK: 2 Outdoor Panels + Guard Unit + Lift Control Unit. Two 1W Outdoor Panels + Monitor per floor distribution.**

**403: Non-PoE Panels – PoE Monitors**

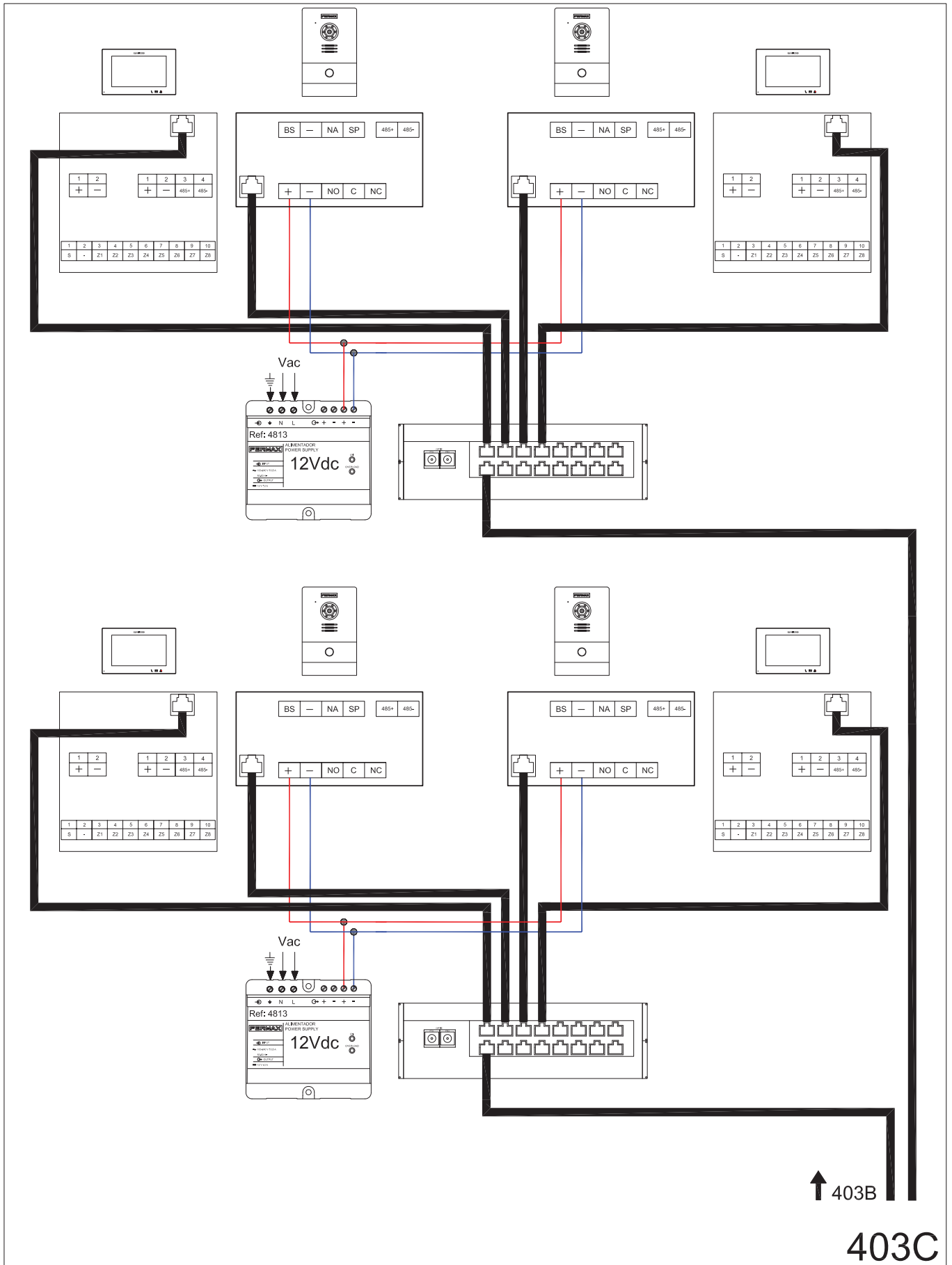
403B - WIRING DIAGRAM. Connection detail: Two 1W Outdoor Panels + Monitor per floor distribution.



**400: 1 INDIVIDUAL BLOCK: 2 Outdoor Panels + Guard Unit + Lift Control Unit. Two 1W Outdoor Panels + Monitor per floor distribution.**

**403: Non-PoE Panels – PoE Monitors**

403C - WIRING DIAGRAM. Connection detail: Two 1W Outdoor Panels + Monitor per floor distribution.

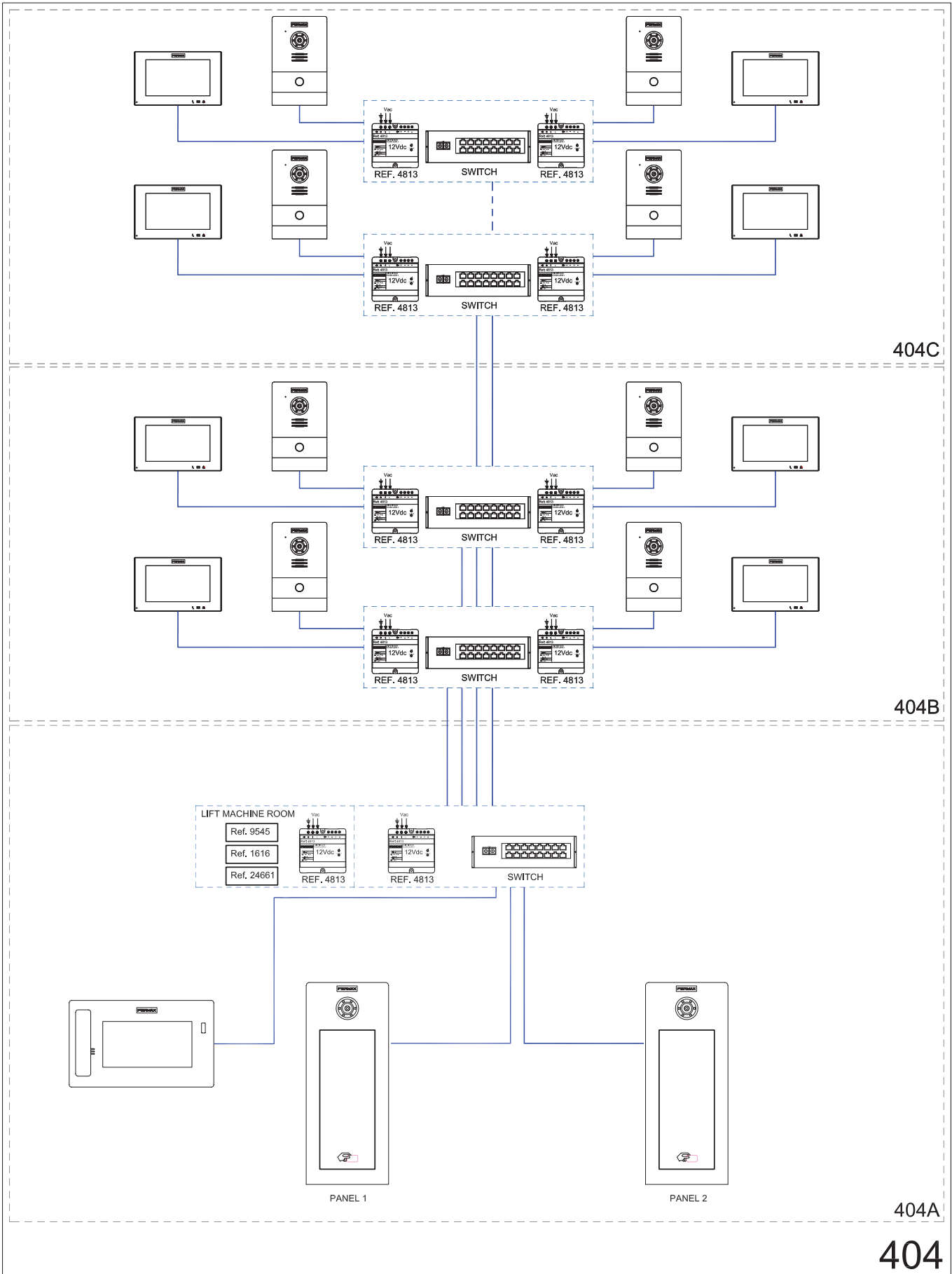


↑ 403B  
403C

400: 1 INDIVIDUAL BLOCK: 2 Outdoor Panels + Guard Unit + Lift Control Unit. Two 1W Outdoor Panels + Monitor per floor distribution.

404: PoE Panels – Non PoE Monitors

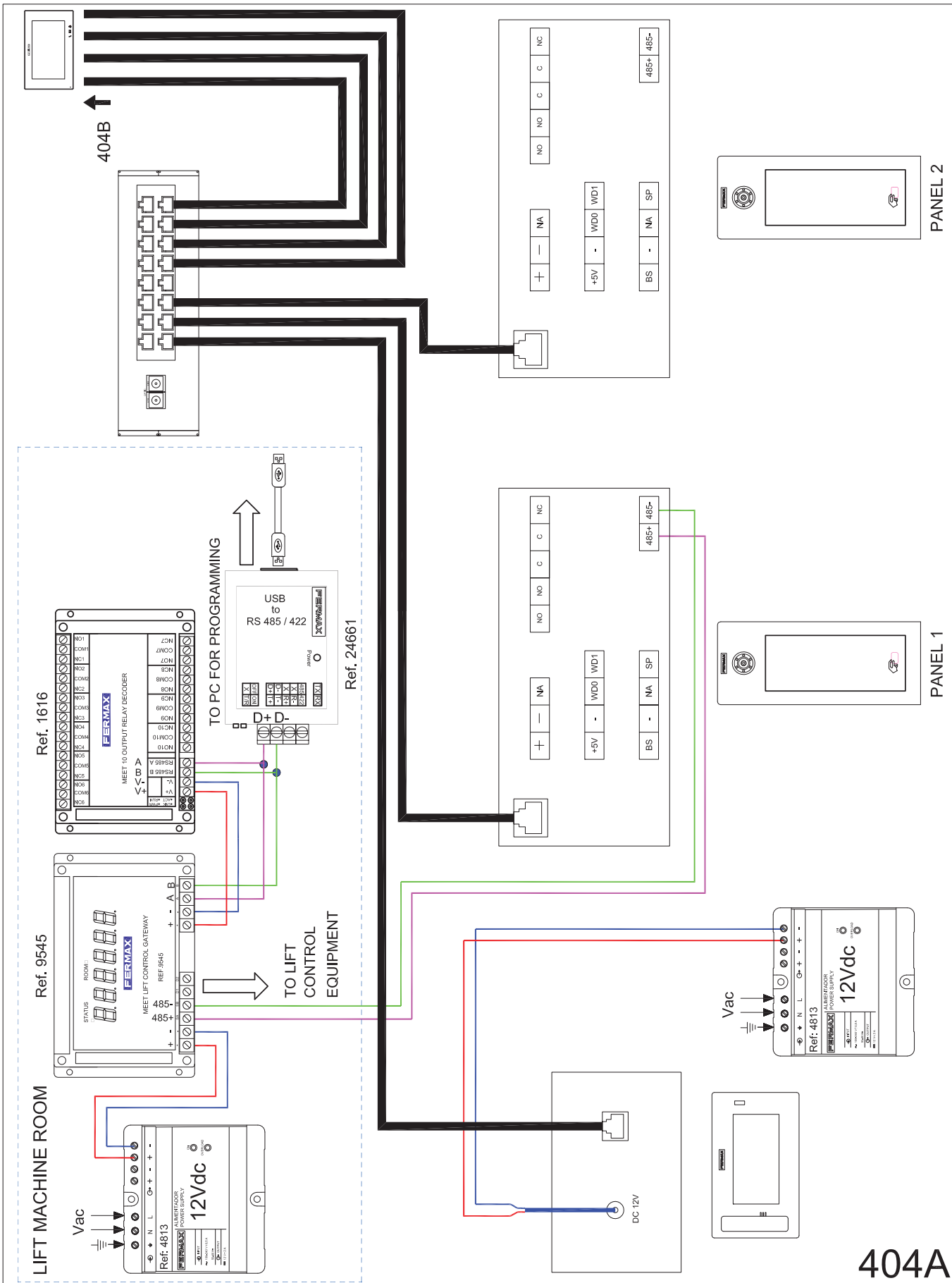
404 - SINGLE-LINE DIAGRAM.



**400: 1 INDIVIDUAL BLOCK: 2 Outdoor Panels + Guard Unit + Lift Control Unit. Two 1W Outdoor Panels + Monitor per floor distribution.**

**404: PoE Panels – Non PoE Monitors**

404A - WIRING DIAGRAM. Connection detail: Outdoor panels + Guard Unit + Lift Control.

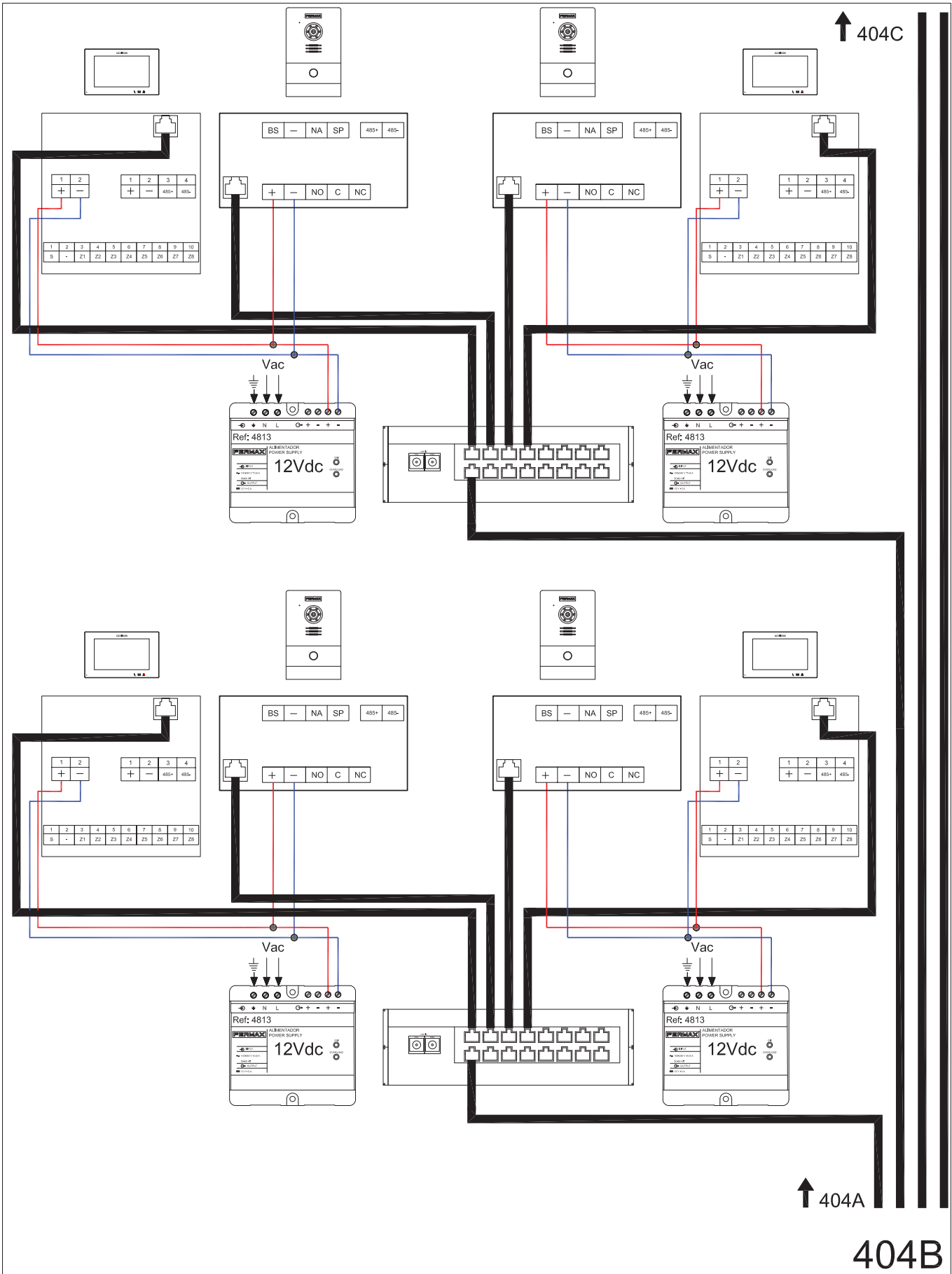


404A

400: 1 INDIVIDUAL BLOCK: 2 Outdoor Panels + Guard Unit + Lift Control Unit. Two 1W Outdoor Panels + Monitor per floor distribution.

404: PoE Panels – Non PoE Monitors

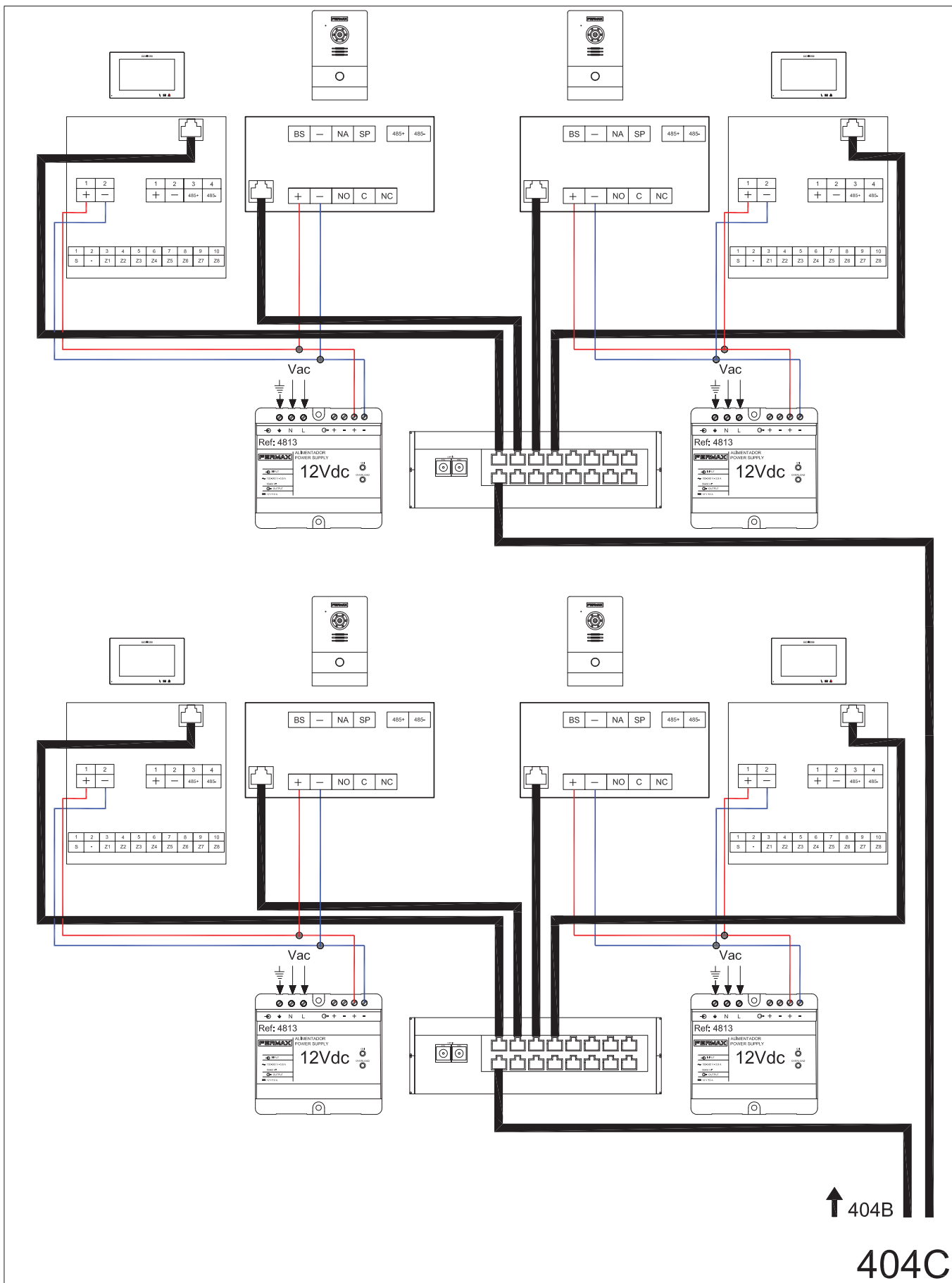
404B - WIRING DIAGRAM. Connection detail: Two 1W Outdoor Panels + Monitor per floor distribution.



400: 1 INDIVIDUAL BLOCK: 2 Outdoor Panels + Guard Unit + Lift Control Unit. Two 1W Outdoor Panels + Monitor per floor distribution.

404: PoE Panels – Non PoE Monitors

404C - WIRING DIAGRAM. Connection detail: Two 1W Outdoor Panels + Monitor per floor distribution.

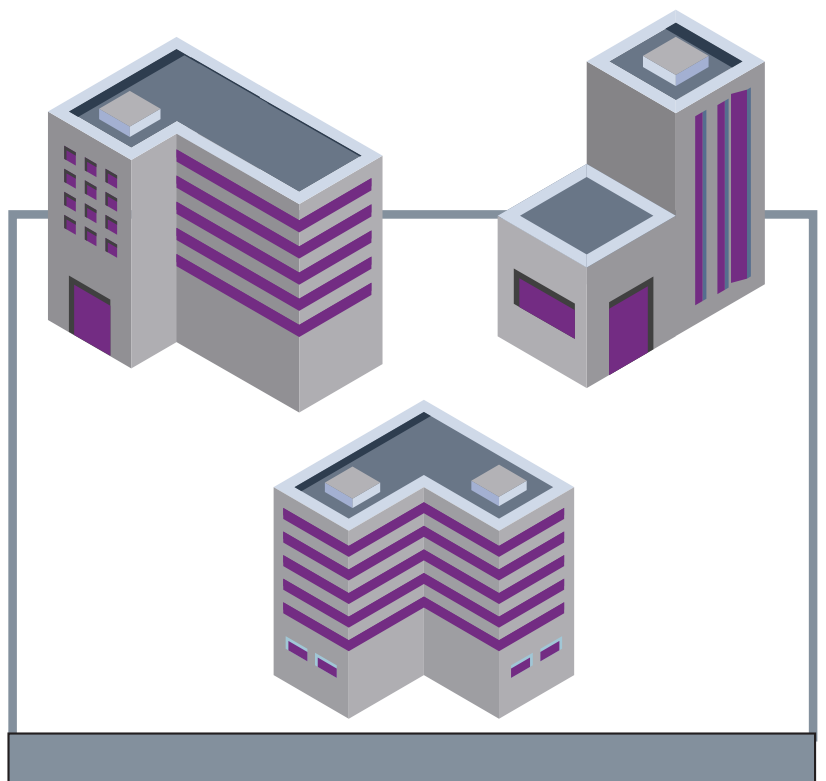






### 2.1.2 GENERAL ENTRANCE TO INTERNAL BLOCKS

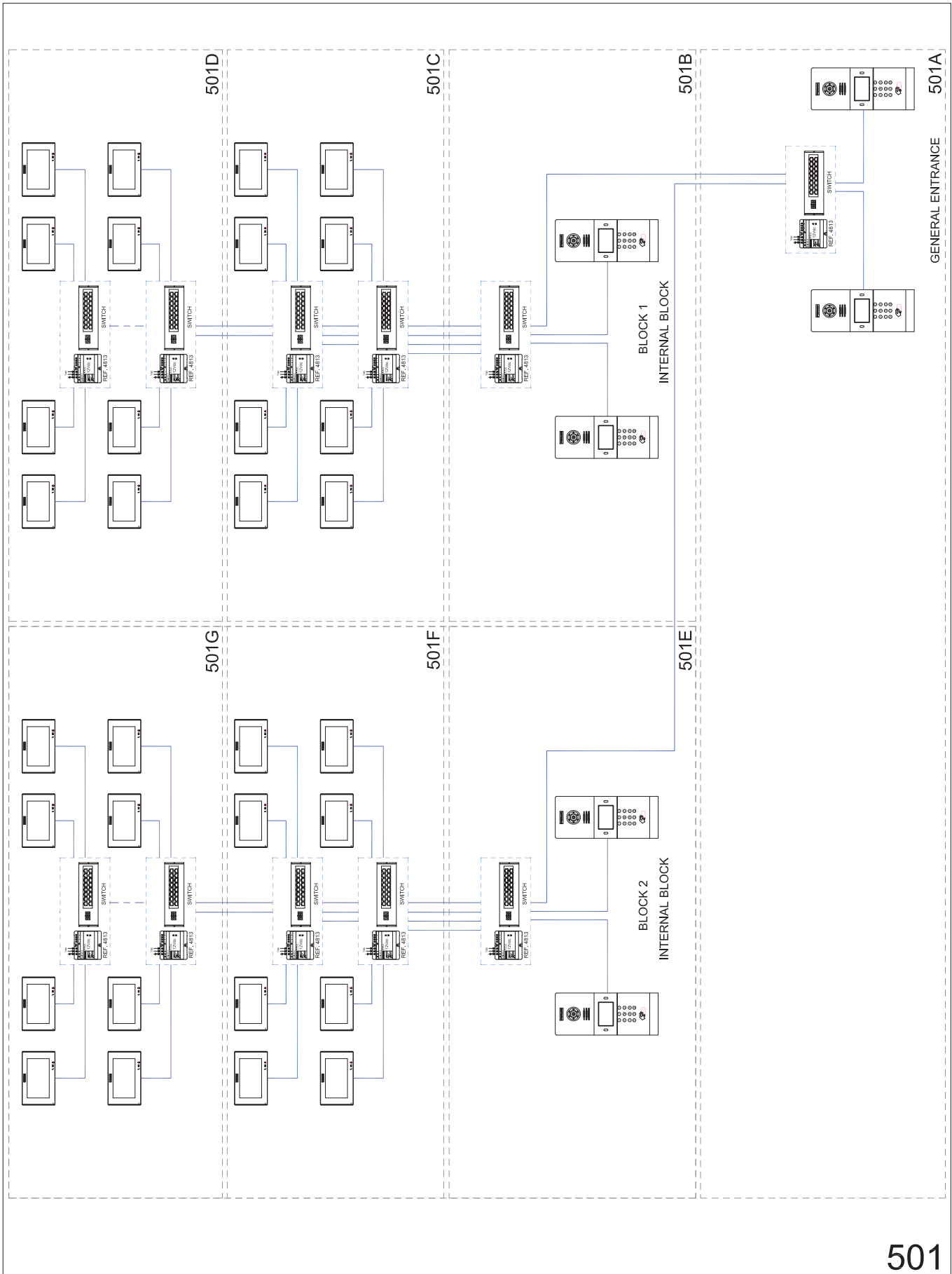
---



500: 2 GENERAL ENTRANCE Outdoor panels. 2 INTERNAL BLOCKS with 2 Outdoor Panels for each block. 4 Monitor per floor distribution.

501: Non-PoE Devices (Panels & Monitors)

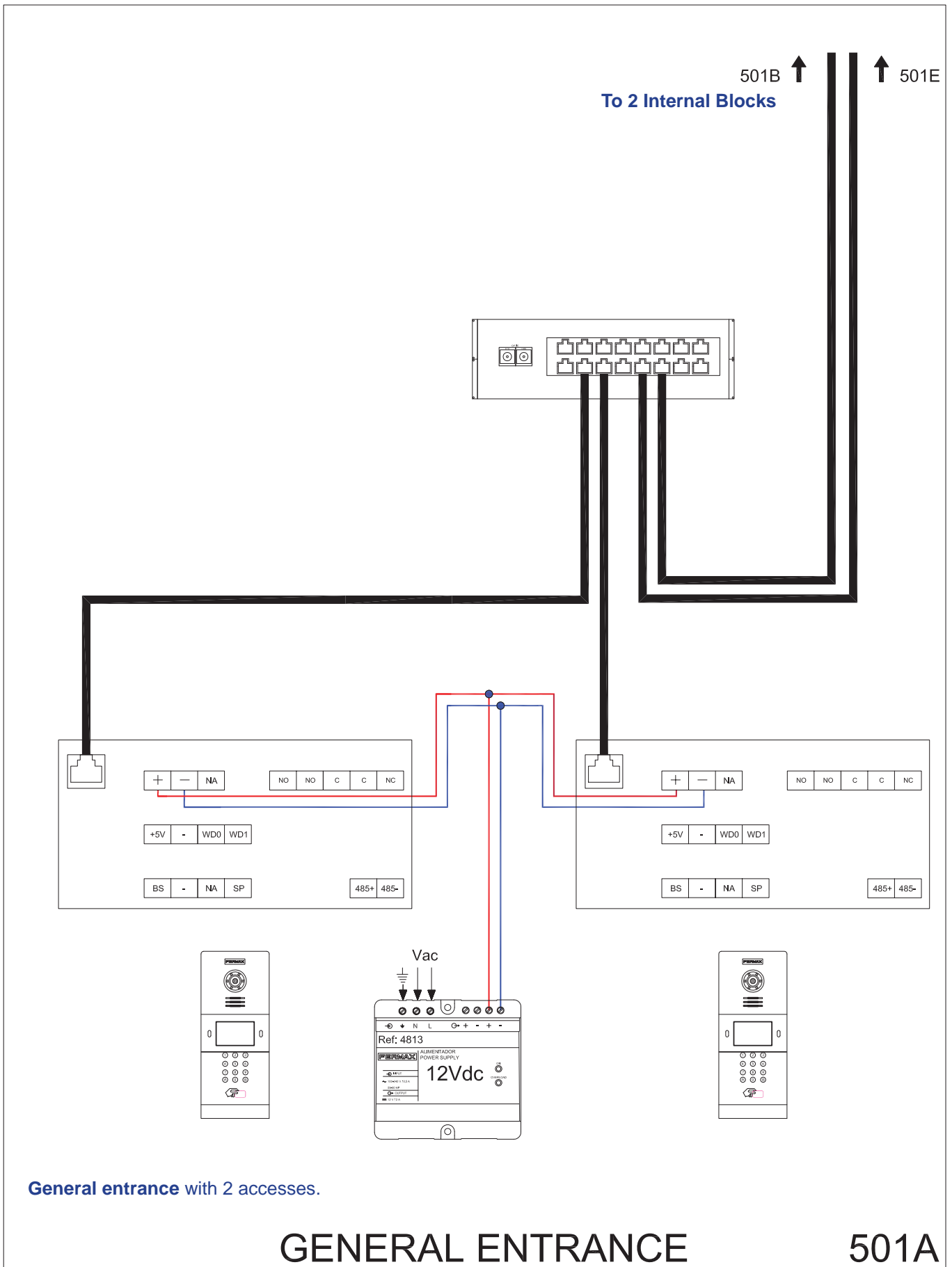
501 - SINGLE-LINE DIAGRAM.



**500:** 2 GENERAL ENTRANCE Outdoor panels. 2 INTERNAL BLOCKS with 2 Outdoor Panels for each block. 4 Monitor per floor distribution.

**501: Non-PoE Devices (Panels & Monitors)**

501A - WIRING DIAGRAM. Connection detail: 2 General Entrance video accesses to 2 internal blocks



General entrance with 2 accesses.

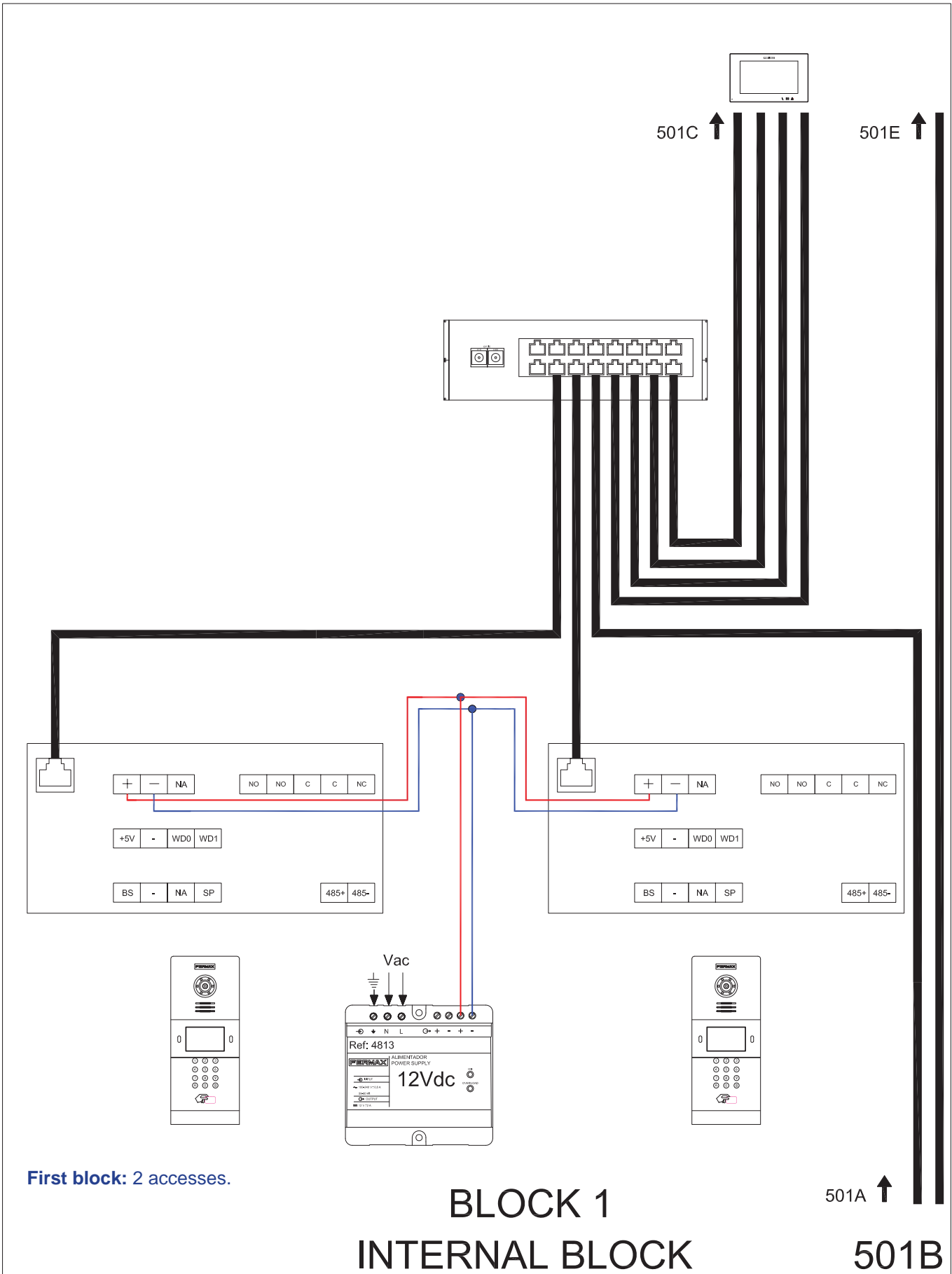
GENERAL ENTRANCE

501A

500: 2 GENERAL ENTRANCE Outdoor panels. 2 INTERNAL BLOCKS with 2 Outdoor Panels for each block. 4 Monitor per floor distribution.

501: Non-PoE Devices (Panels & Monitors)

501B - WIRING DIAGRAM. Connection detail: First block: 2 video accesses.



First block: 2 accesses.

BLOCK 1  
INTERNAL BLOCK

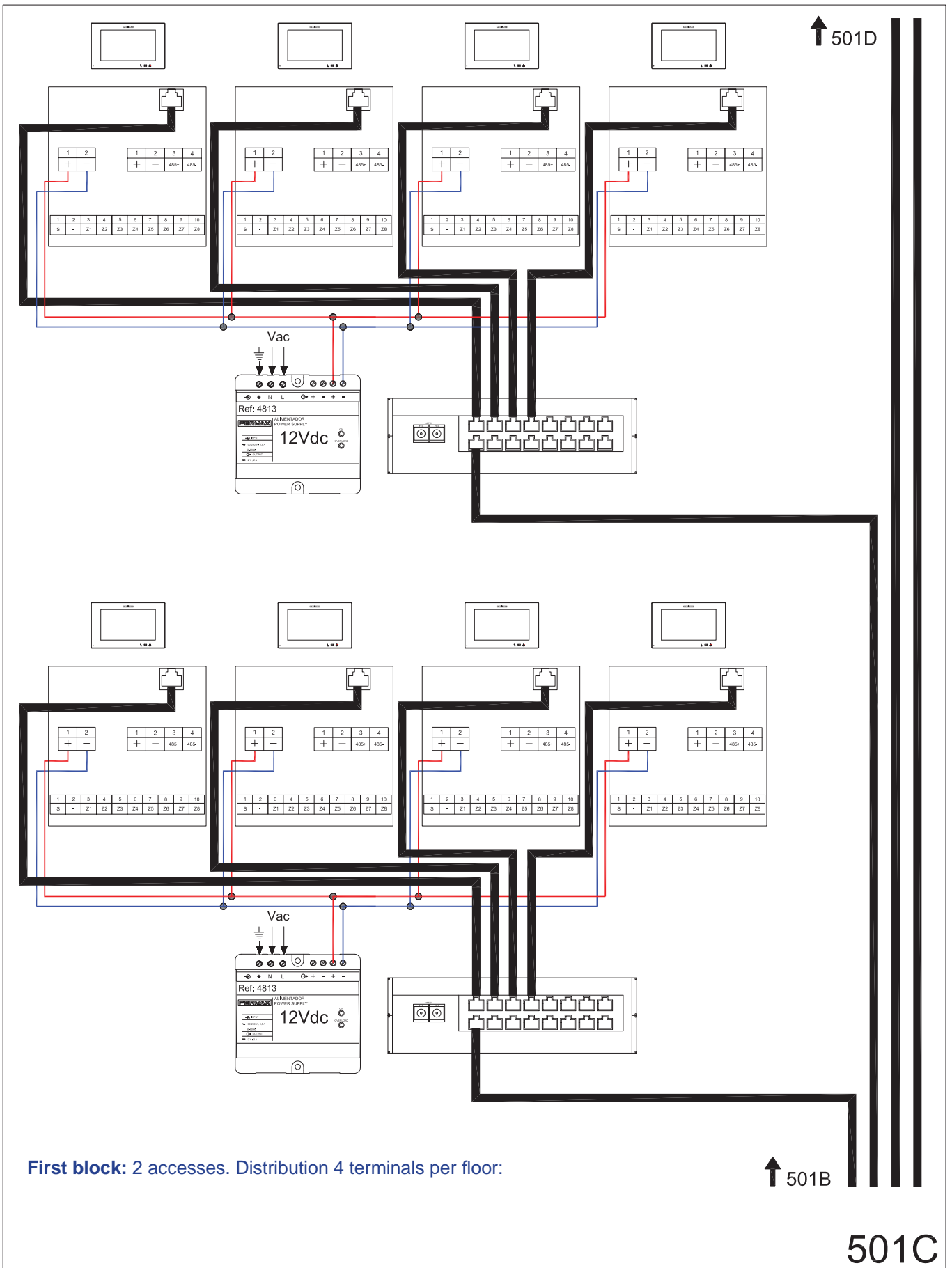
501A ↑

501B

**500: 2 GENERAL ENTRANCE Outdoor panels. 2 INTERNAL BLOCKS with 2 Outdoor Panels for each block. 4 Monitor per floor distribution.**

**501: Non-PoE Devices (Panels & Monitors)**

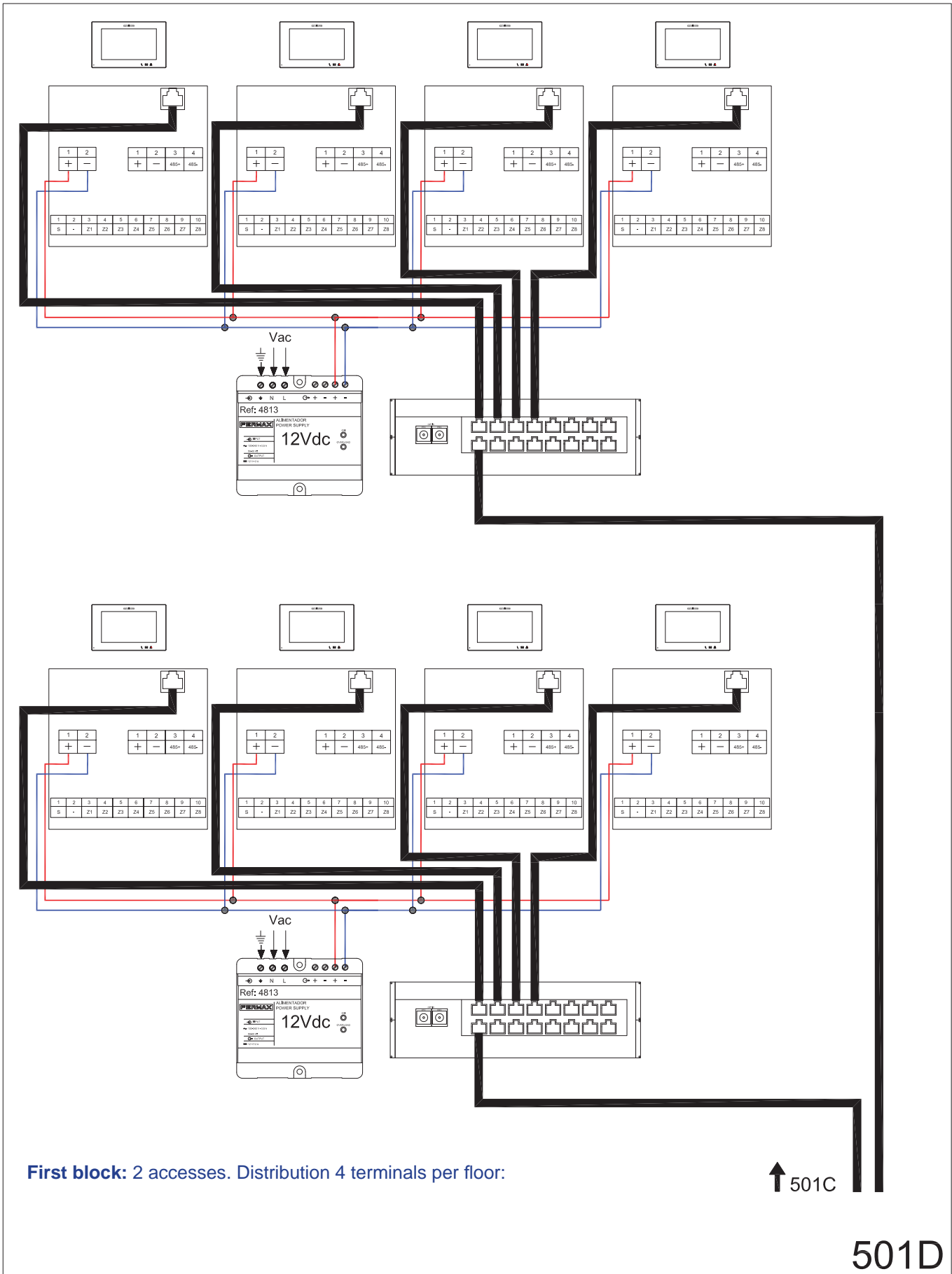
**501C - WIRING DIAGRAM. Connection detail: Floors. 4 Monitor per floor distribution.**



**500: 2 GENERAL ENTRANCE Outdoor panels. 2 INTERNAL BLOCKS with 2 Outdoor Panels for each block. 4 Monitor per floor distribution.**

**501: Non-PoE Devices (Panels & Monitors)**

**501D - WIRING DIAGRAM. Connection detail: Floors. 4 Monitor per floor distribution.**



First block: 2 accesses. Distribution 4 terminals per floor:

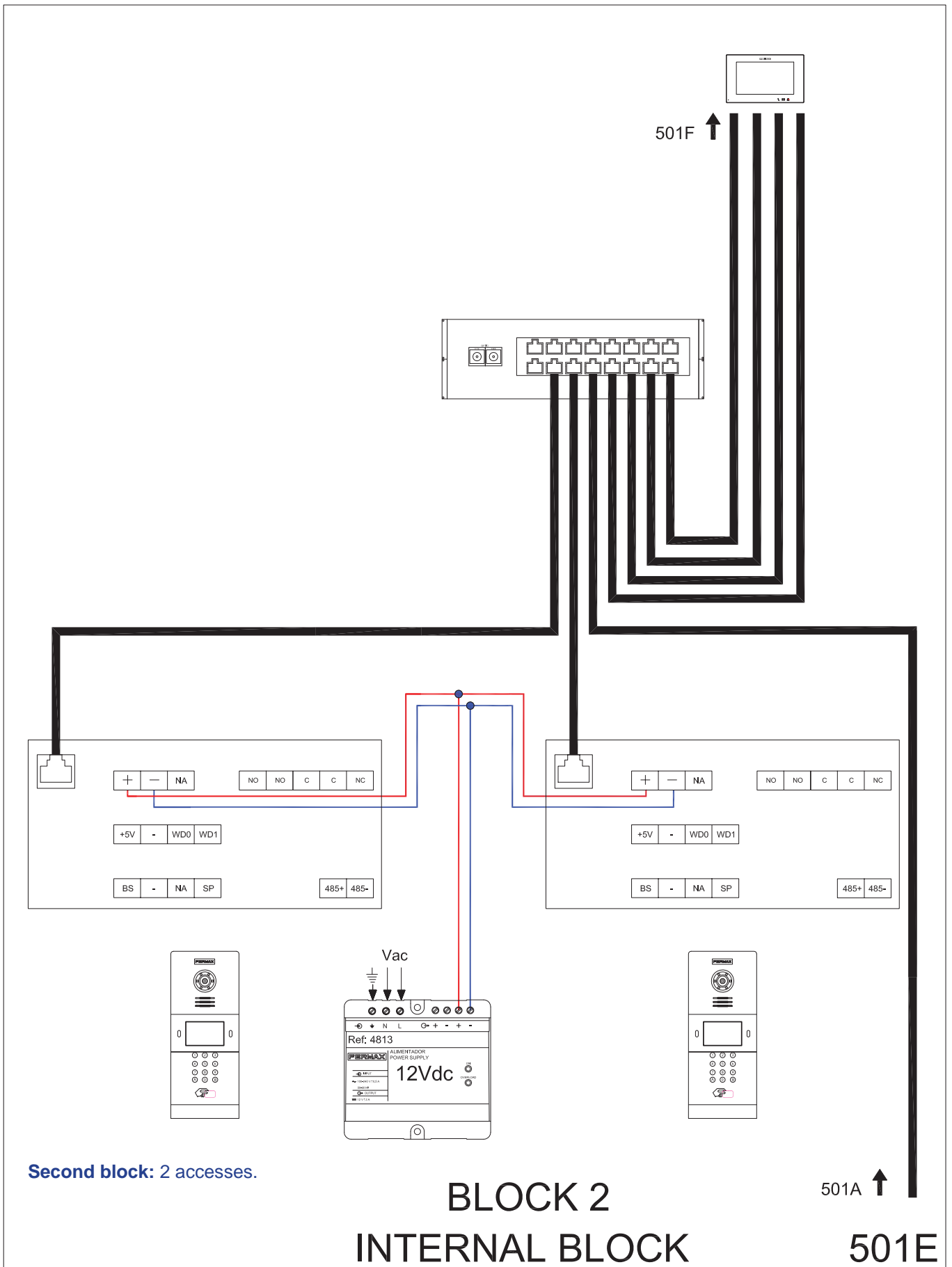
↑ 501C

501D

500: 2 GENERAL ENTRANCE Outdoor panels. 2 INTERNAL BLOCKS with 2 Outdoor Panels for each block. 4 Monitor per floor distribution.

501: Non-PoE Devices (Panels & Monitors)

501E - WIRING DIAGRAM. Connection detail: Second block: 2 video accesses.



Second block: 2 accesses.

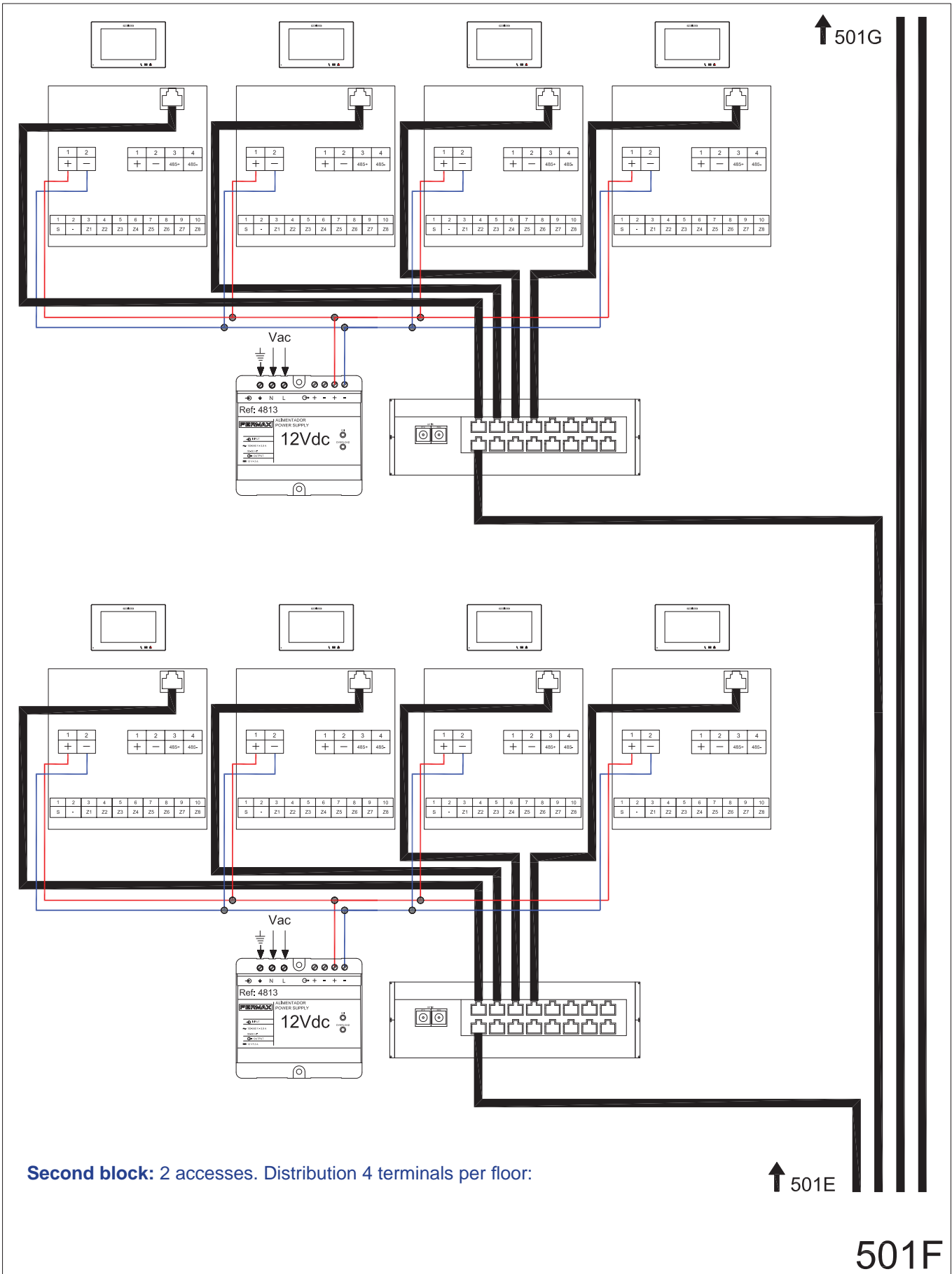
BLOCK 2  
INTERNAL BLOCK

501A ↑  
501E

500: 2 GENERAL ENTRANCE Outdoor panels. 2 INTERNAL BLOCKS with 2 Outdoor Panels for each block. 4 Monitor per floor distribution.

501: Non-PoE Devices (Panels & Monitors)

501F - WIRING DIAGRAM. Connection detail: Floors. 4 Monitor per floor distribution.

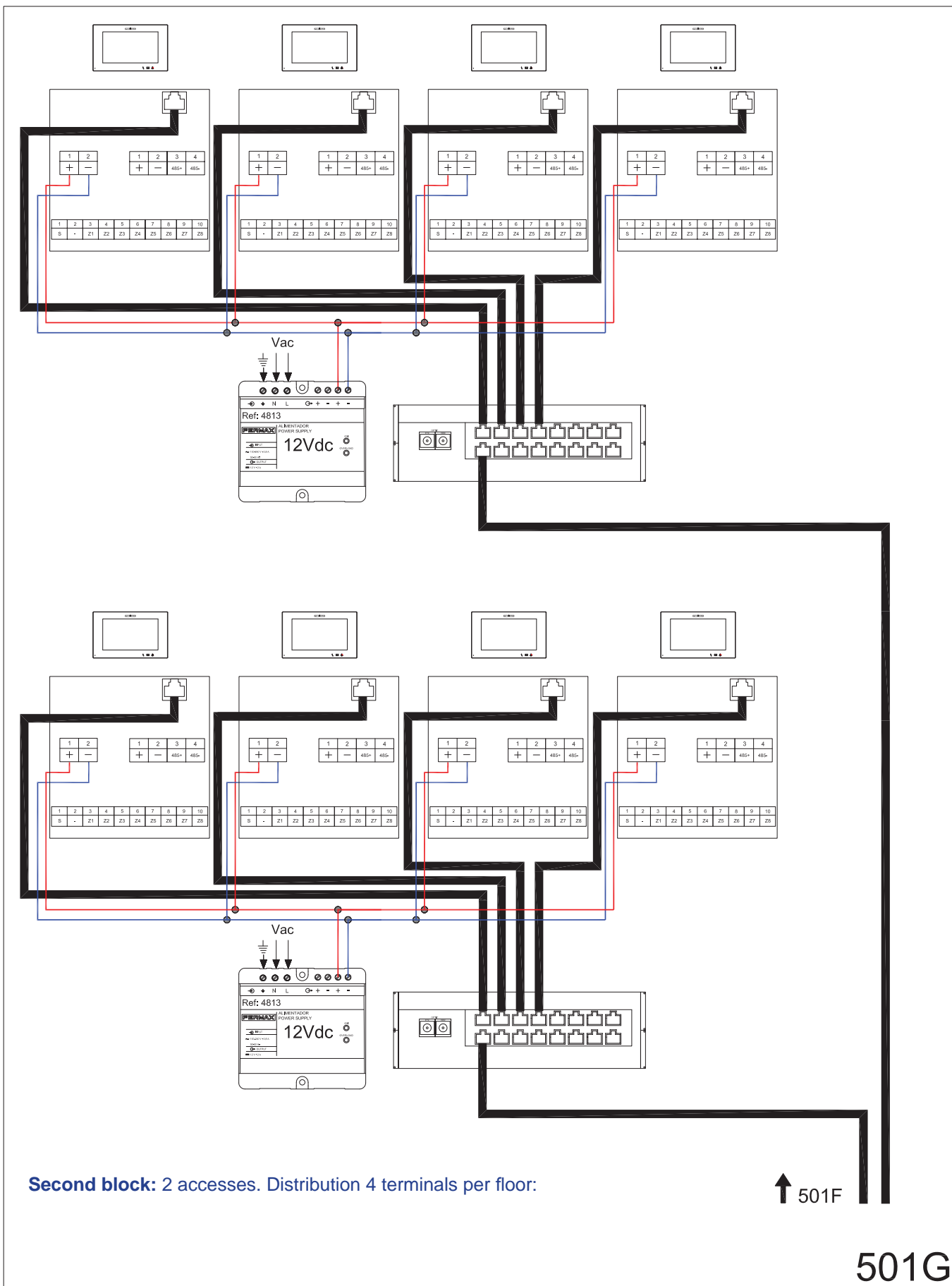




**500: 2 GENERAL ENTRANCE Outdoor panels. 2 INTERNAL BLOCKS with 2 Outdoor Panels for each block. 4 Monitor per floor distribution.**

**501: Non-PoE Devices (Panels & Monitors)**

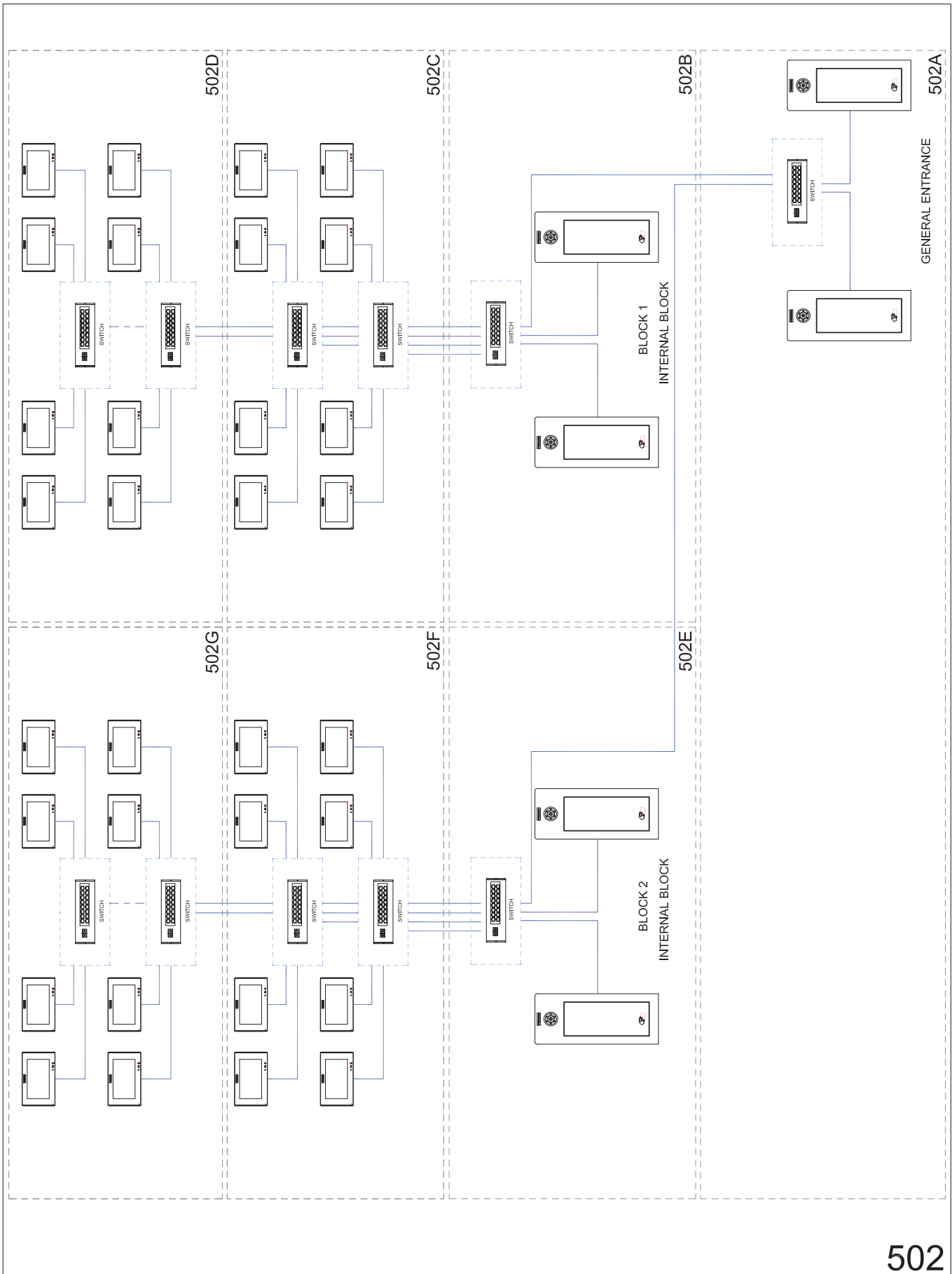
501G - WIRING DIAGRAM. Connection detail: Floors. 4 Monitor per floor distribution.



500: 2 GENERAL ENTRANCE Outdoor panels. 2 INTERNAL BLOCKS with 2 Outdoor Panels for each block. 4 Monitor per floor distribution.

502: All PoE Devices (Panels & Monitors)

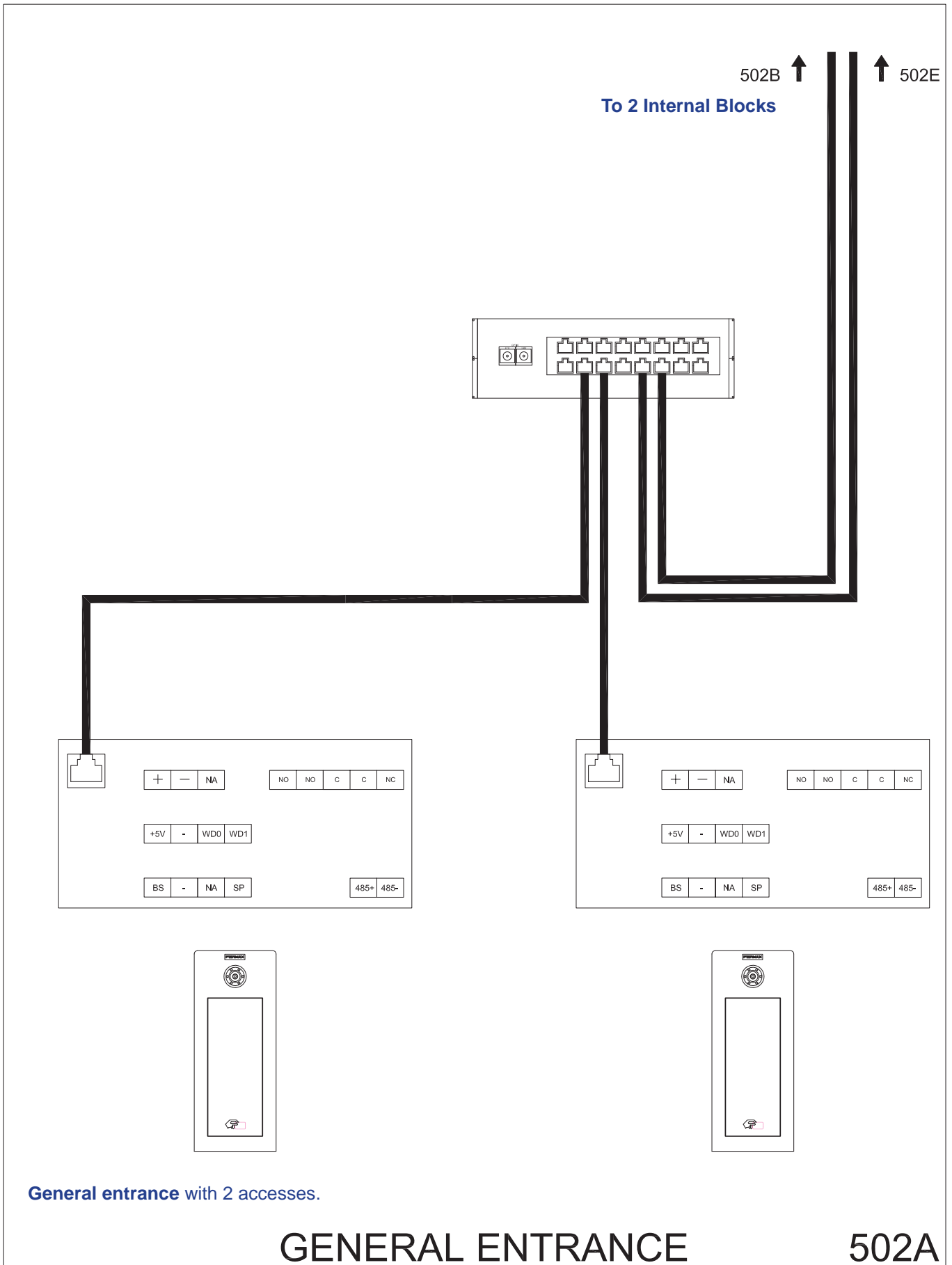
502 - SINGLE-LINE DIAGRAM.



**500:** 2 GENERAL ENTRANCE Outdoor panels. 2 INTERNAL BLOCKS with 2 Outdoor Panels for each block. 4 Monitor per floor distribution.

**502: All PoE Devices (Panels & Monitors)**

502A - WIRING DIAGRAM. Connection detail: 2 General Entrance video accesses to 2 internal blocks



General entrance with 2 accesses.

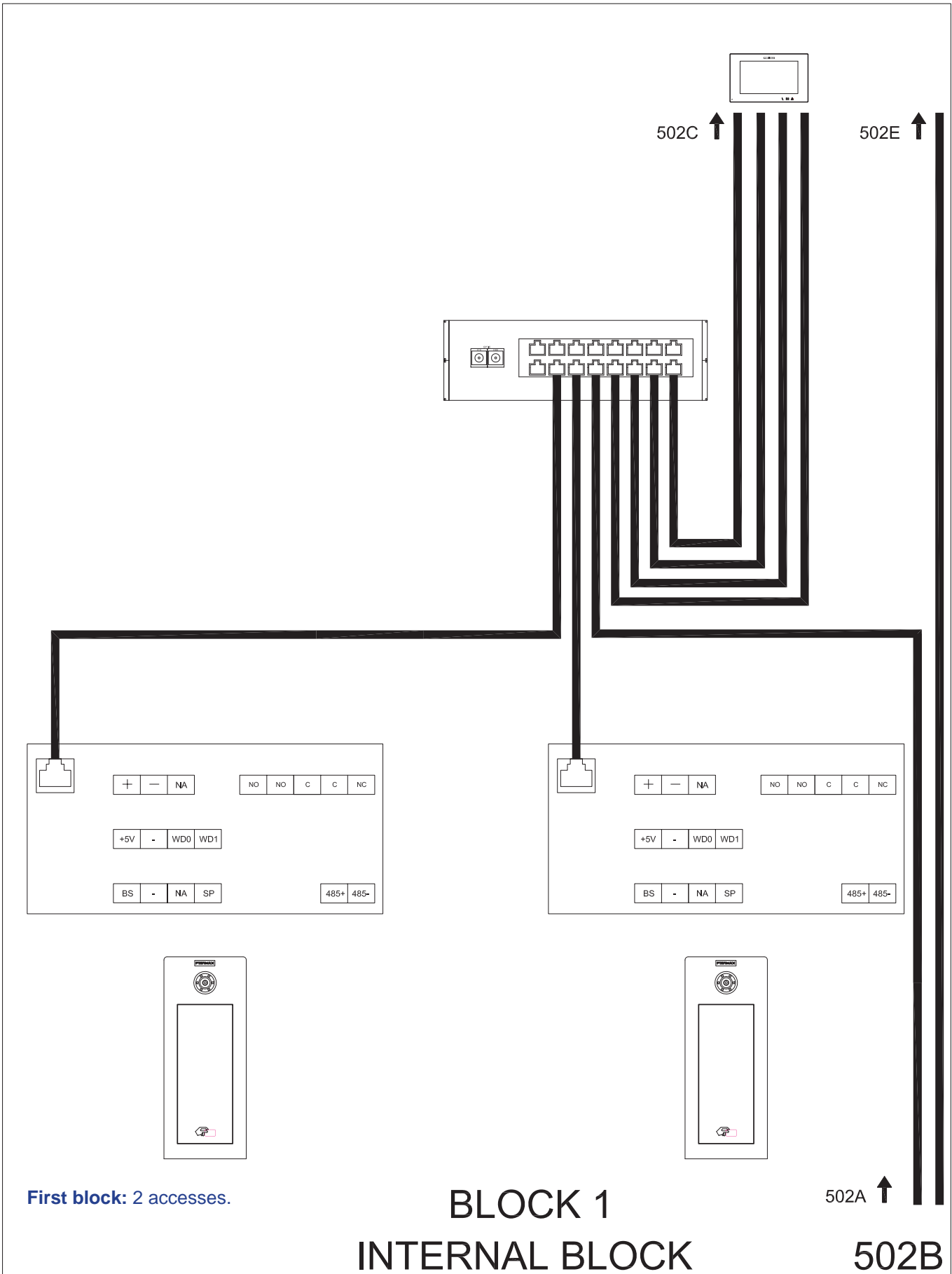
GENERAL ENTRANCE

502A

500: 2 GENERAL ENTRANCE Outdoor panels. 2 INTERNAL BLOCKS with 2 Outdoor Panels for each block. 4 Monitor per floor distribution.

502: All PoE Devices (Panels & Monitors)

502B - WIRING DIAGRAM. Connection detail: First block: 2 video accesses.



First block: 2 accesses.

BLOCK 1  
INTERNAL BLOCK

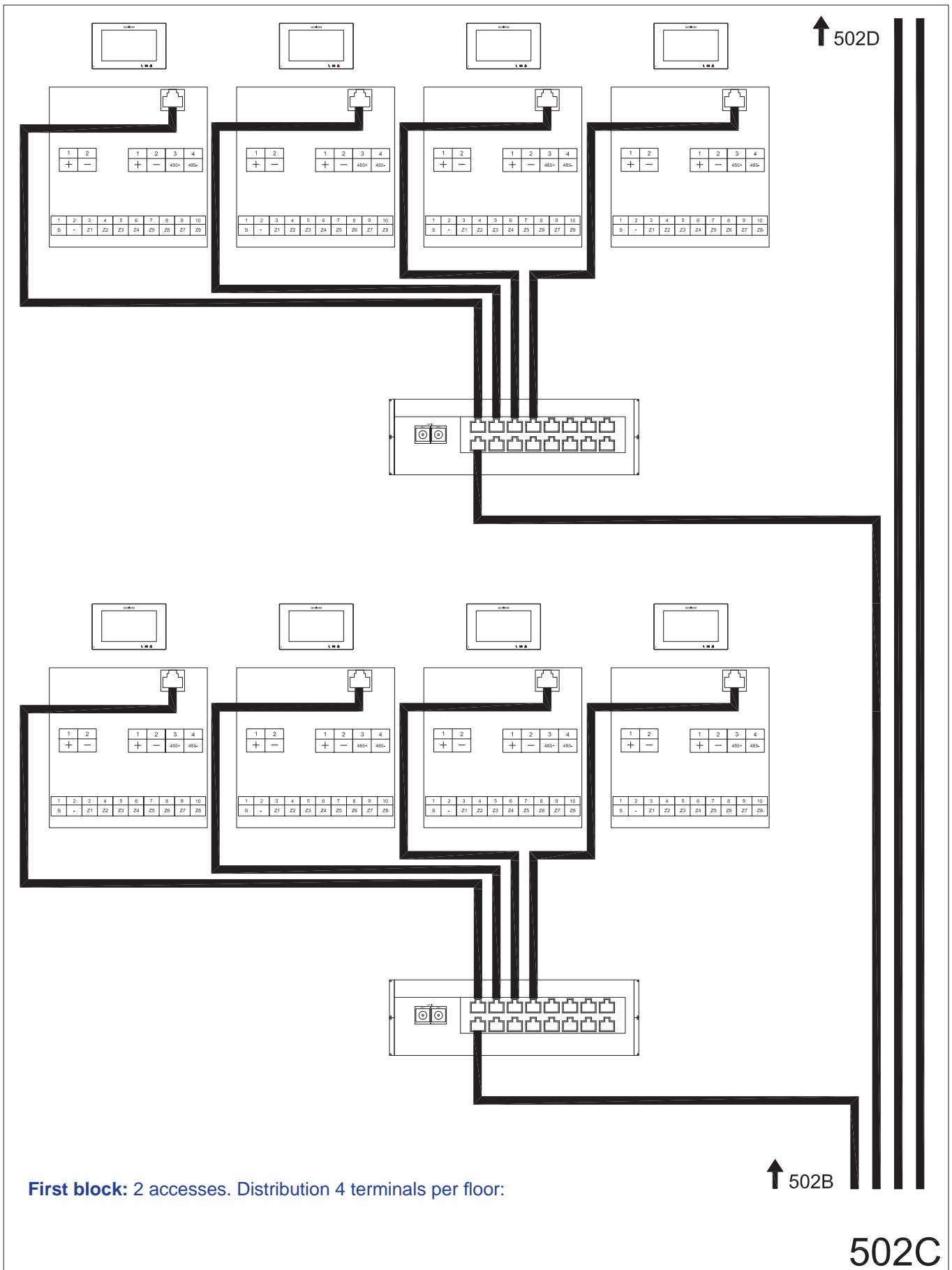
502A ↑

502B

**500: 2 GENERAL ENTRANCE Outdoor panels. 2 INTERNAL BLOCKS with 2 Outdoor Panels for each block. 4 Monitor per floor distribution.**

**502: All PoE Devices (Panels & Monitors)**

502C - WIRING DIAGRAM. Connection detail: Floors. 4 Monitor per floor distribution.



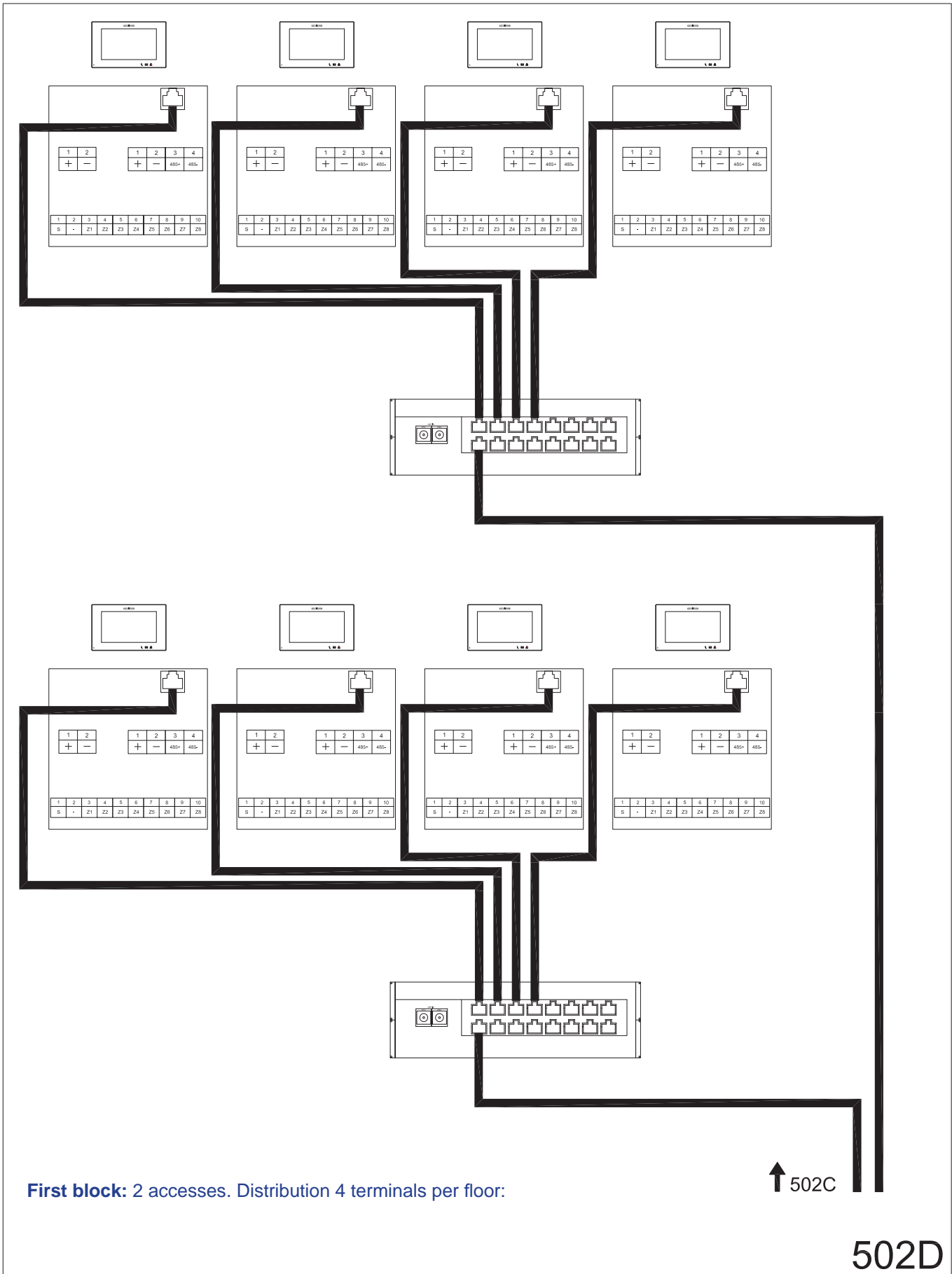
First block: 2 accesses. Distribution 4 terminals per floor:

502C

500: 2 GENERAL ENTRANCE Outdoor panels. 2 INTERNAL BLOCKS with 2 Outdoor Panels for each block. 4 Monitor per floor distribution.

502: All PoE Devices (Panels & Monitors)

502D - WIRING DIAGRAM. Connection detail: Floors. 4 Monitor per floor distribution.



First block: 2 accesses. Distribution 4 terminals per floor:

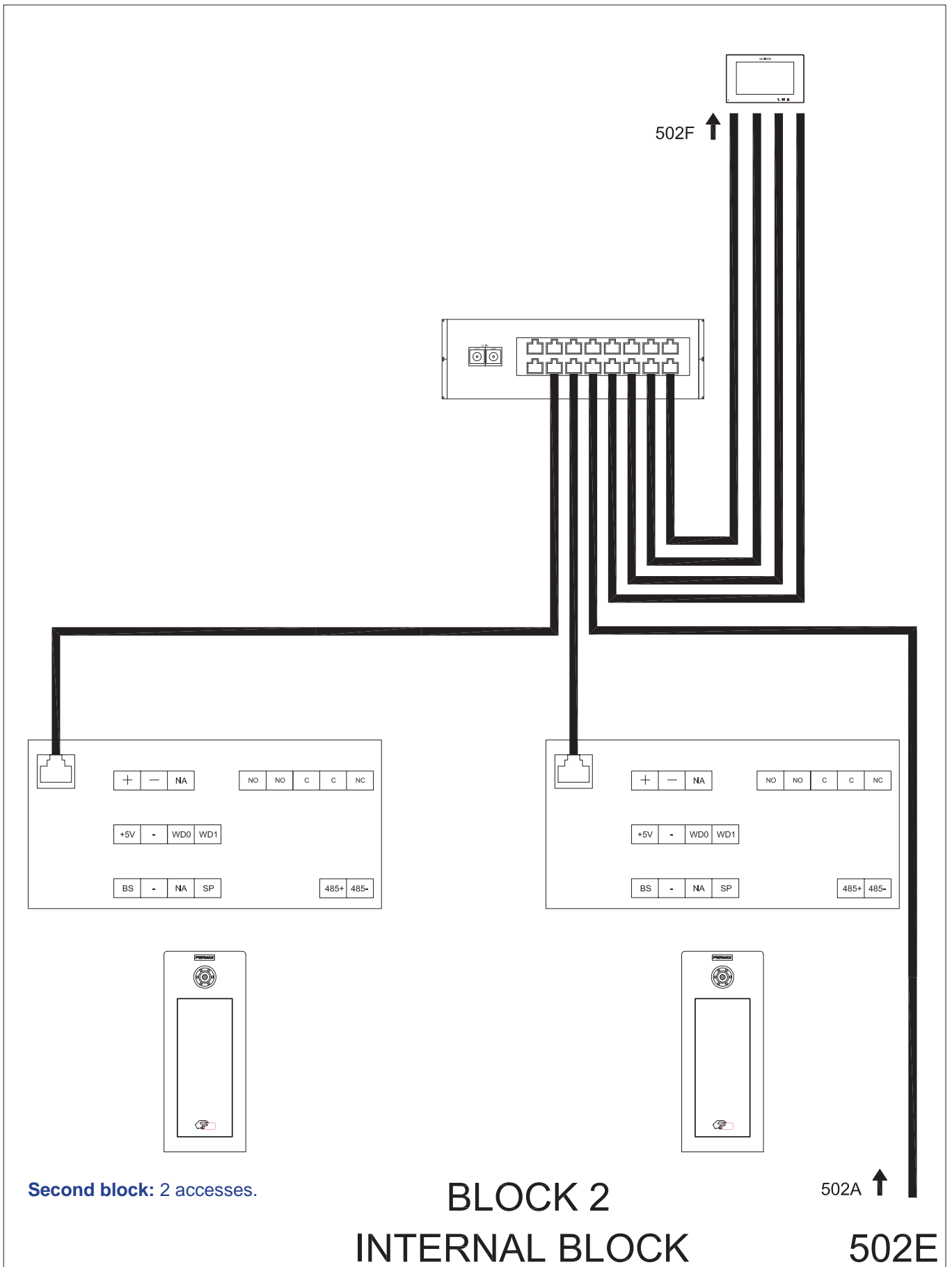
↑ 502C

502D

**500: 2 GENERAL ENTRANCE Outdoor panels. 2 INTERNAL BLOCKS with 2 Outdoor Panels for each block. 4 Monitor per floor distribution.**

**502: All PoE Devices (Panels & Monitors)**

502E - WIRING DIAGRAM. Connection detail: Second block: 2 video accesses.



Second block: 2 accesses.

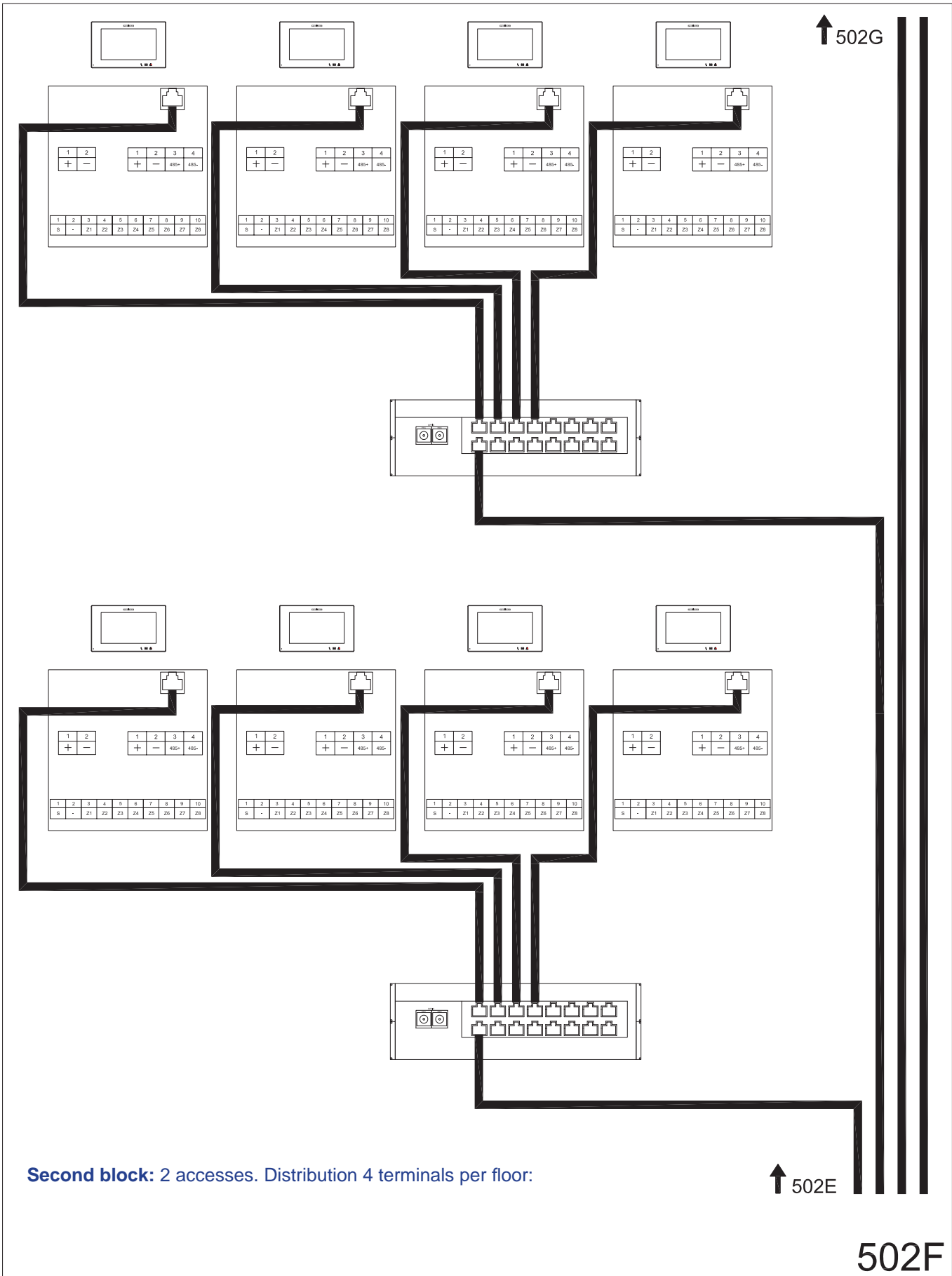
BLOCK 2  
INTERNAL BLOCK

502A ↑  
502E

500: 2 GENERAL ENTRANCE Outdoor panels. 2 INTERNAL BLOCKS with 2 Outdoor Panels for each block. 4 Monitor per floor distribution.

502: All PoE Devices (Panels & Monitors)

502F - WIRING DIAGRAM. Connection detail: Floors. 4 Monitor per floor distribution.



Second block: 2 accesses. Distribution 4 terminals per floor:

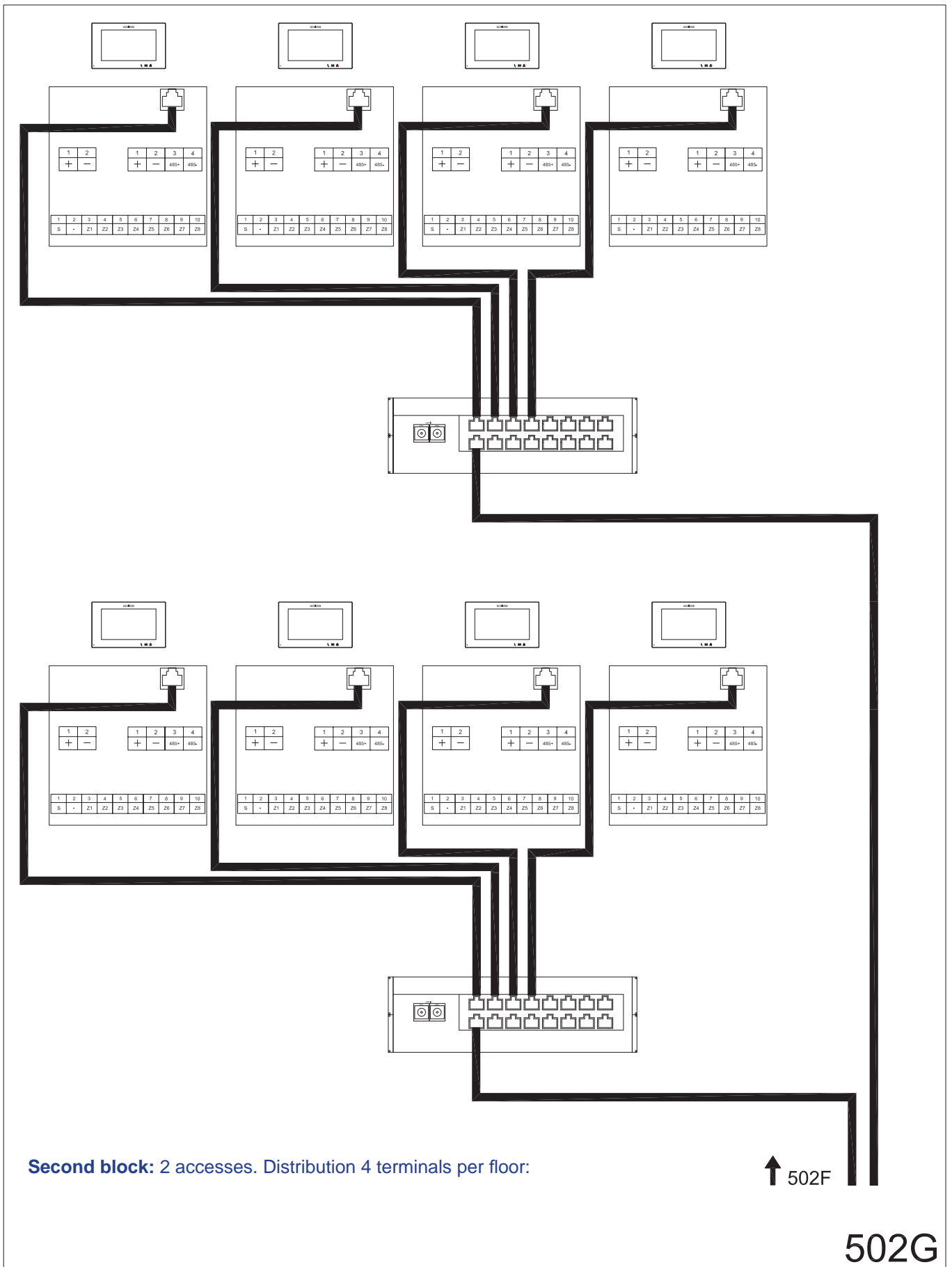
502F



**500: 2 GENERAL ENTRANCE Outdoor panels. 2 INTERNAL BLOCKS with 2 Outdoor Panels for each block. 4 Monitor per floor distribution.**

**502: All PoE Devices (Panels & Monitors)**

502G - WIRING DIAGRAM. Connection detail: Floors. 4 Monitor per floor distribution.



Second block: 2 accesses. Distribution 4 terminals per floor:

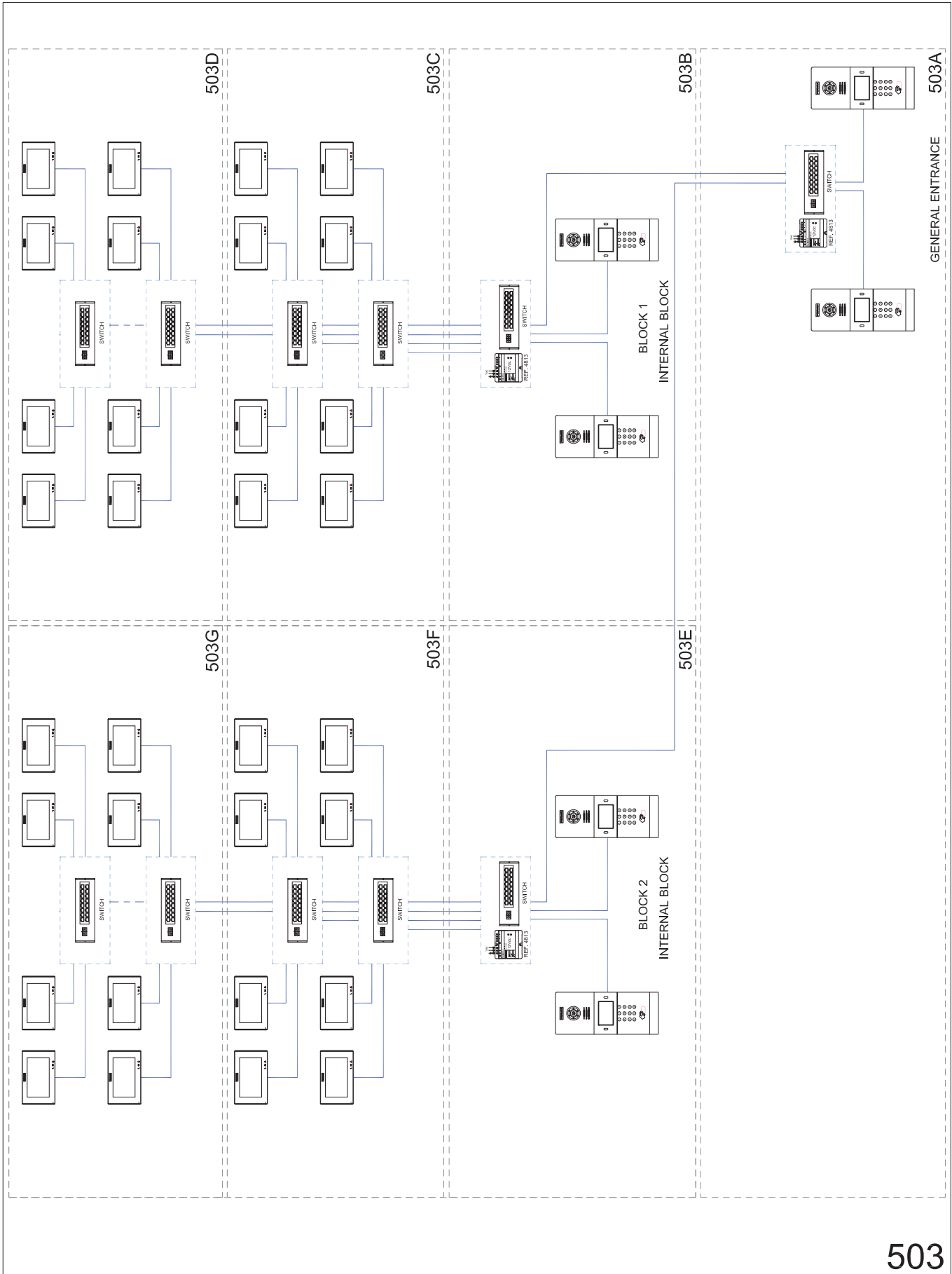
↑ 502F

502G

500: 2 GENERAL ENTRANCE Outdoor panels. 2 INTERNAL BLOCKS with 2 Outdoor Panels for each block. 4 Monitor per floor distribution.

503: Non-PoE Panels – PoE Monitors

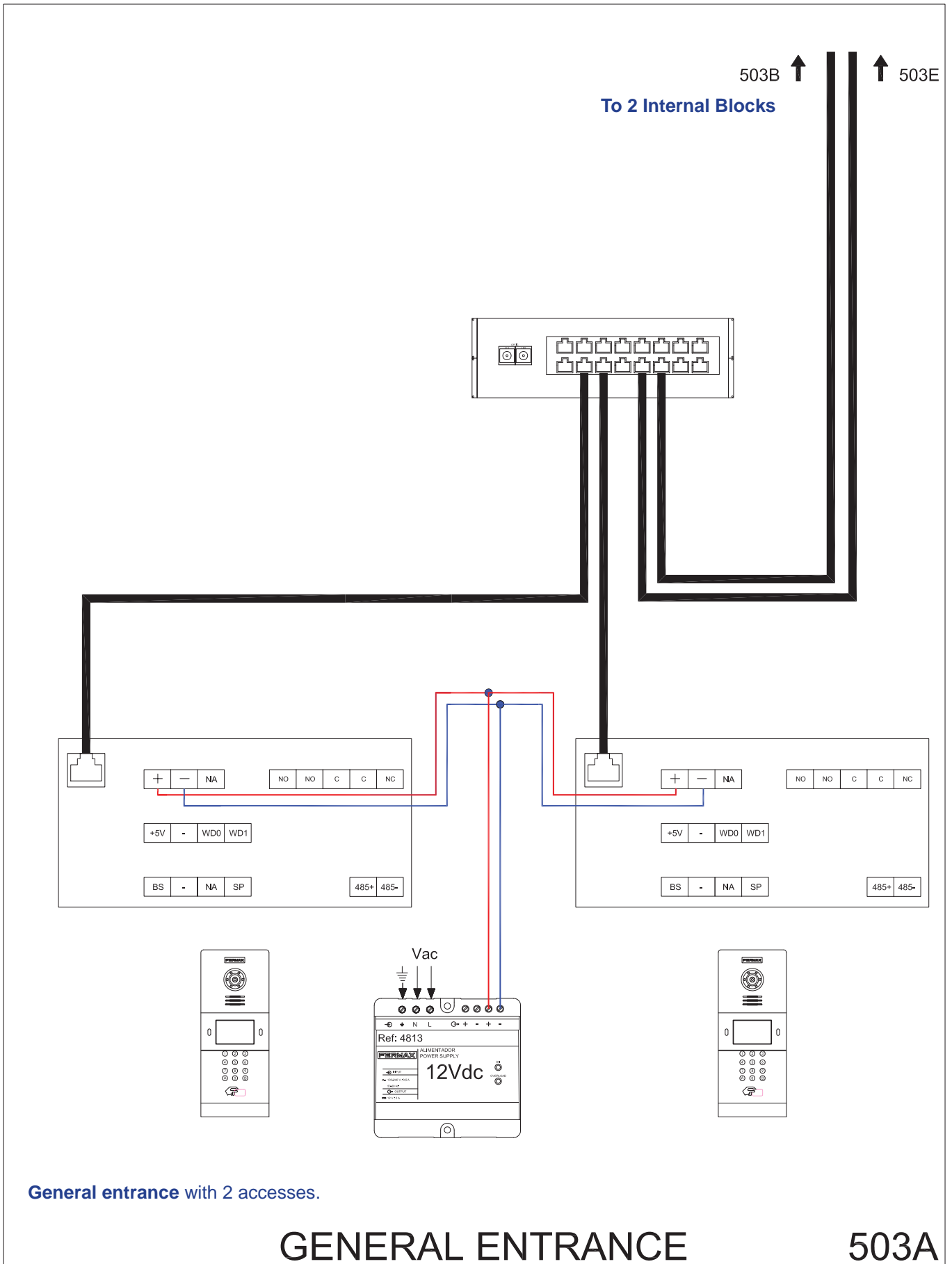
503 - SINGLE-LINE DIAGRAM.



**500: 2 GENERAL ENTRANCE Outdoor panels. 2 INTERNAL BLOCKS with 2 Outdoor Panels for each block. 4 Monitor per floor distribution.**

**503: Non-PoE Panels – PoE Monitors**

503A - WIRING DIAGRAM. Connection detail: 2 General Entrance video accesses to 2 internal blocks



General entrance with 2 accesses.

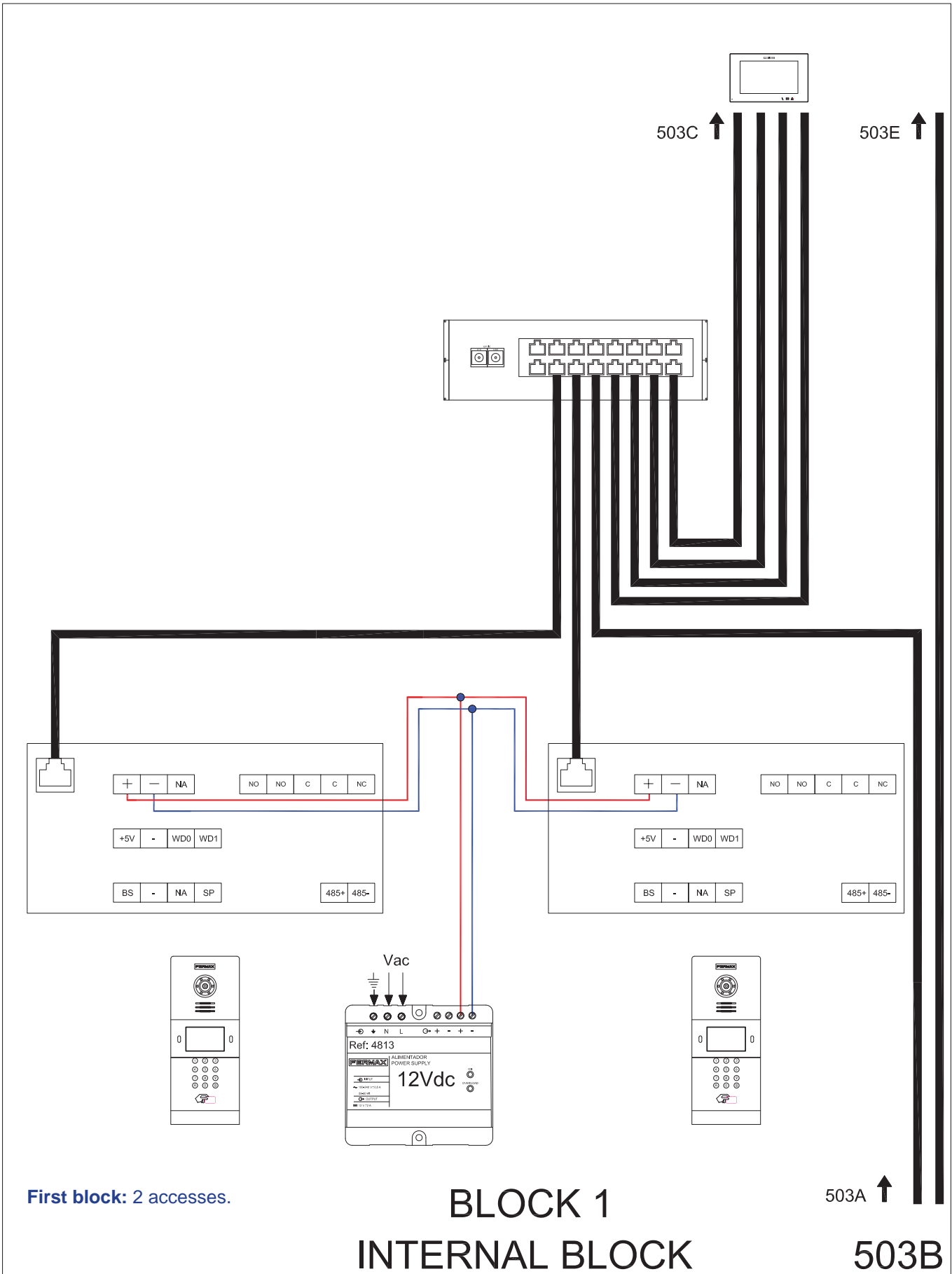
**GENERAL ENTRANCE**

**503A**

500: 2 GENERAL ENTRANCE Outdoor panels. 2 INTERNAL BLOCKS with 2 Outdoor Panels for each block. 4 Monitor per floor distribution.

503: Non-PoE Panels – PoE Monitors

503B - WIRING DIAGRAM. Connection detail: First block: 2 video accesses.



First block: 2 accesses.

BLOCK 1  
INTERNAL BLOCK

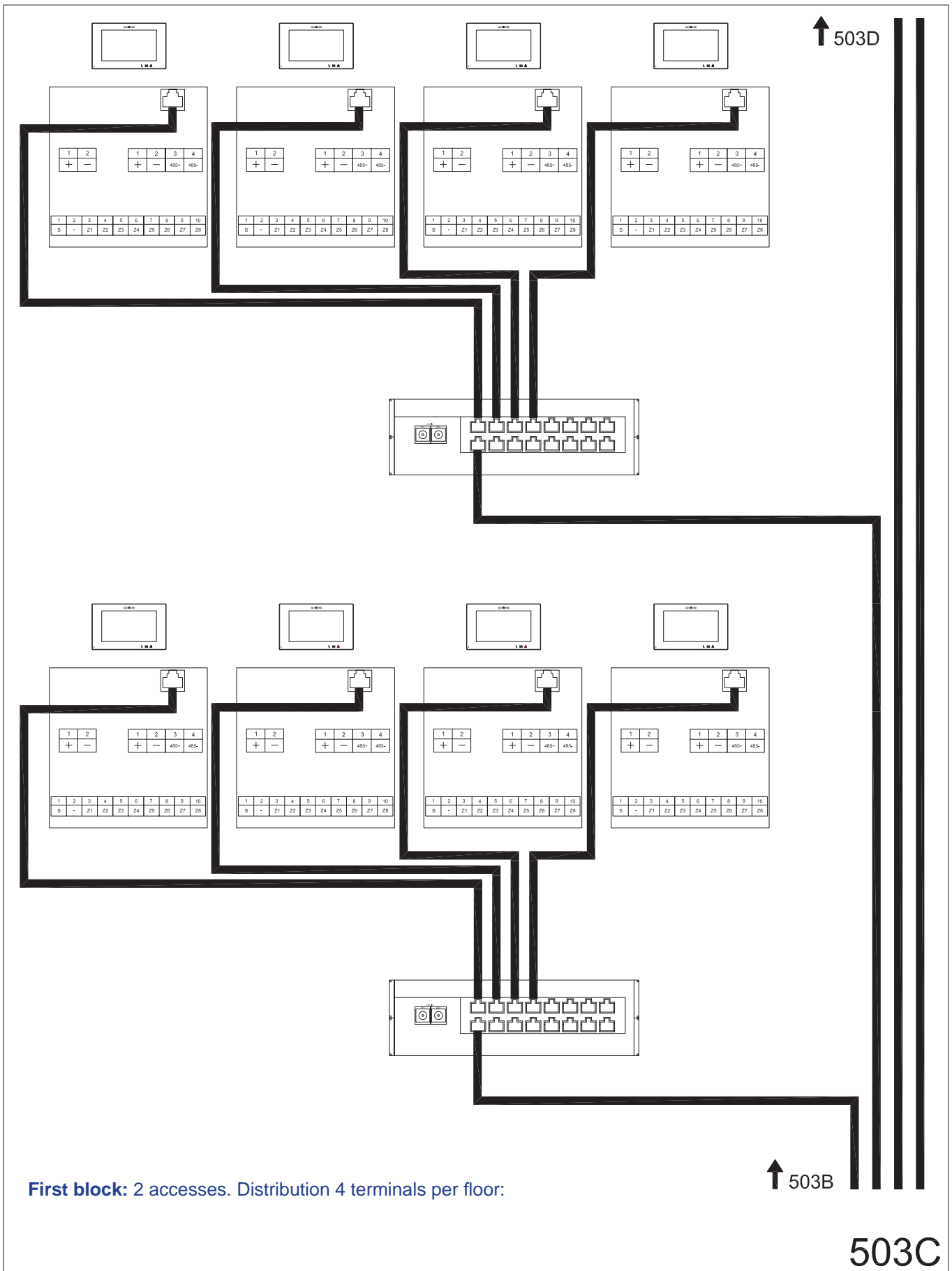
503A ↑

503B

**500: 2 GENERAL ENTRANCE Outdoor panels. 2 INTERNAL BLOCKS with 2 Outdoor Panels for each block. 4 Monitor per floor distribution.**

**503: Non-PoE Panels – PoE Monitors**

503C - WIRING DIAGRAM. Connection detail: Floors. 4 Monitor per floor distribution.



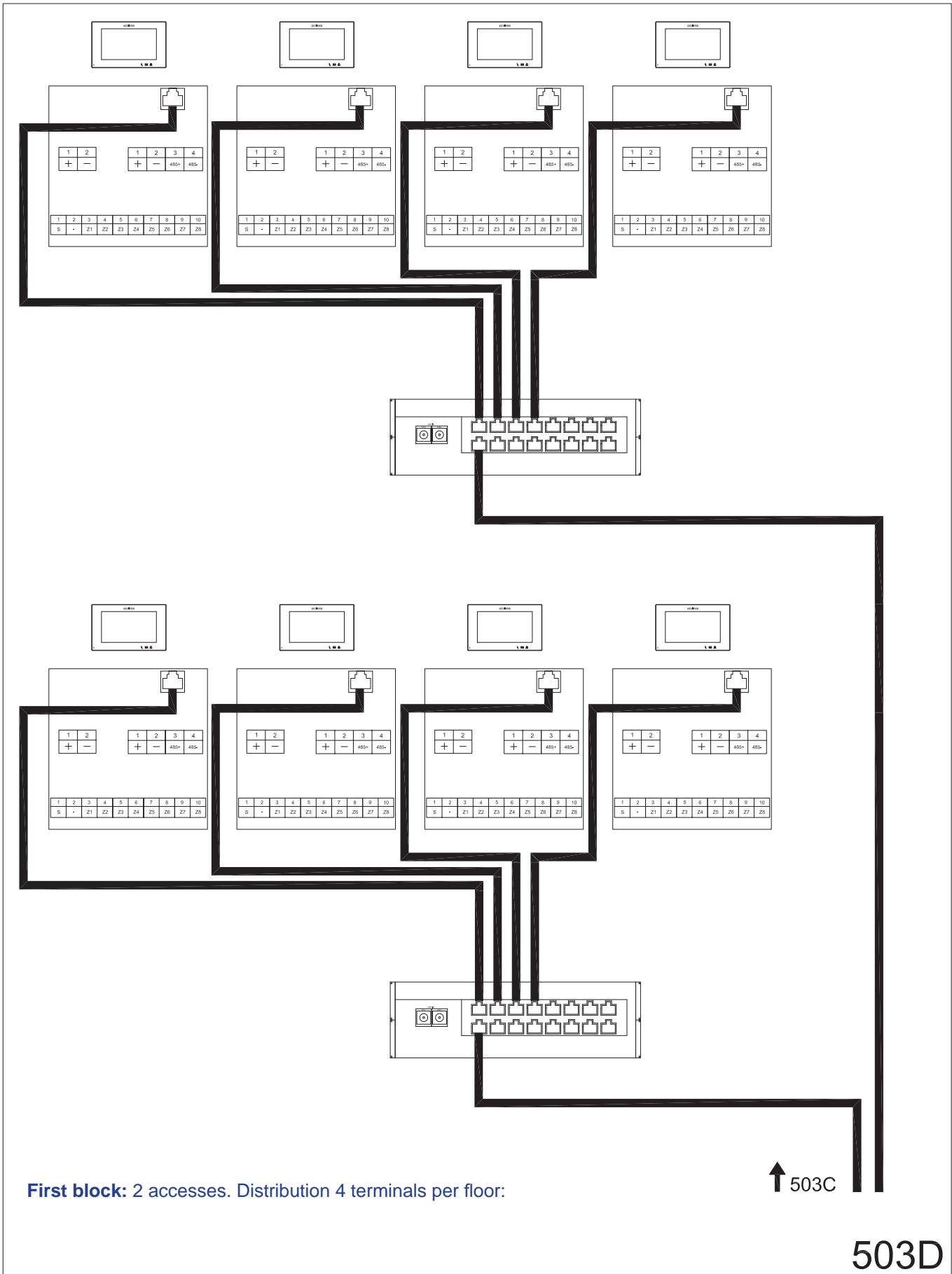
**First block: 2 accesses. Distribution 4 terminals per floor:**

503C

500: 2 GENERAL ENTRANCE Outdoor panels. 2 INTERNAL BLOCKS with 2 Outdoor Panels for each block. 4 Monitor per floor distribution.

503: Non-PoE Panels – PoE Monitors

503D - WIRING DIAGRAM. Connection detail: Floors. 4 Monitor per floor distribution.



First block: 2 accesses. Distribution 4 terminals per floor:

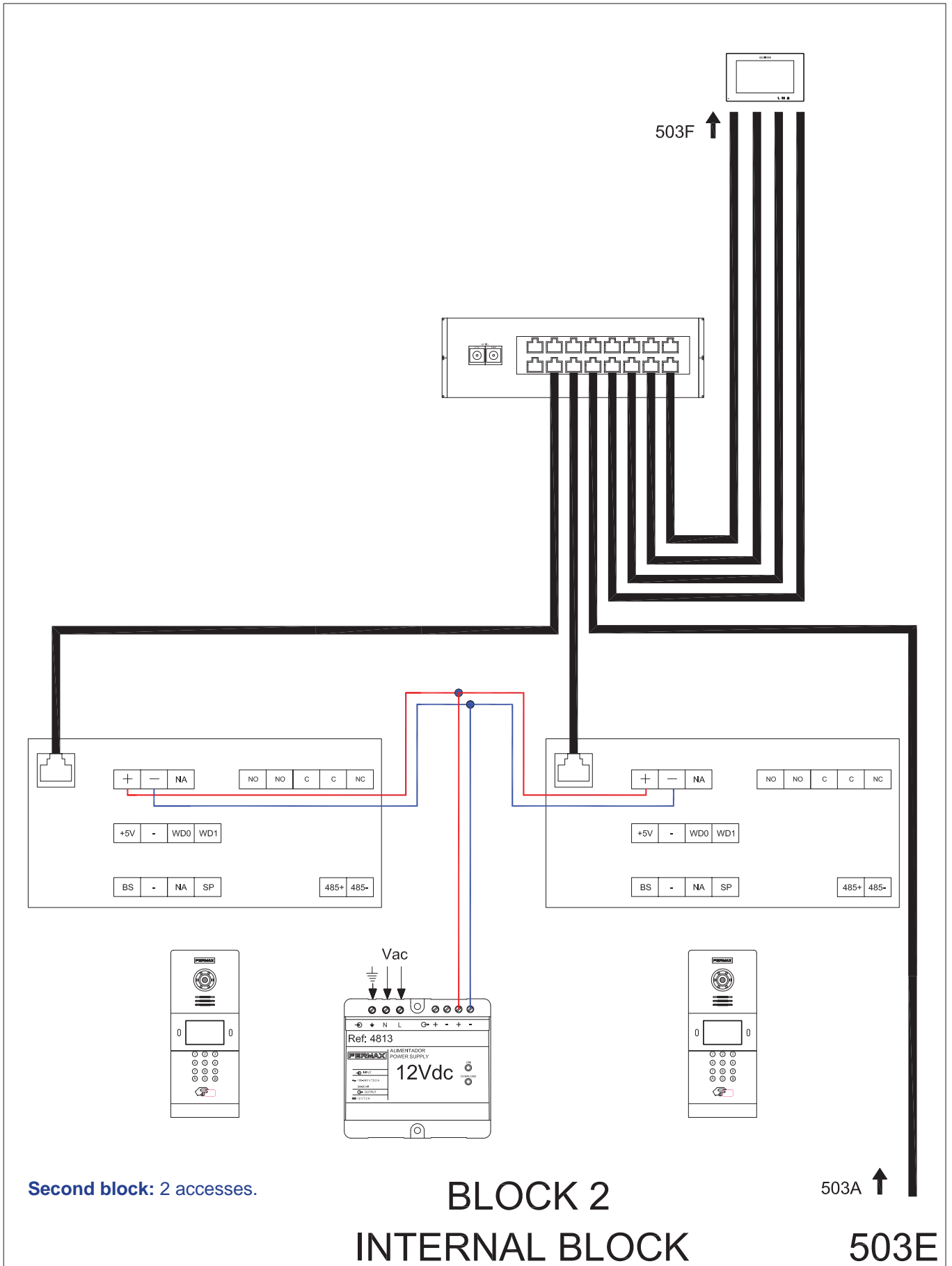
↑ 503C

503D

500: 2 GENERAL ENTRANCE Outdoor panels. 2 INTERNAL BLOCKS with 2 Outdoor Panels for each block. 4 Monitor per floor distribution.

503: Non-PoE Panels – PoE Monitors

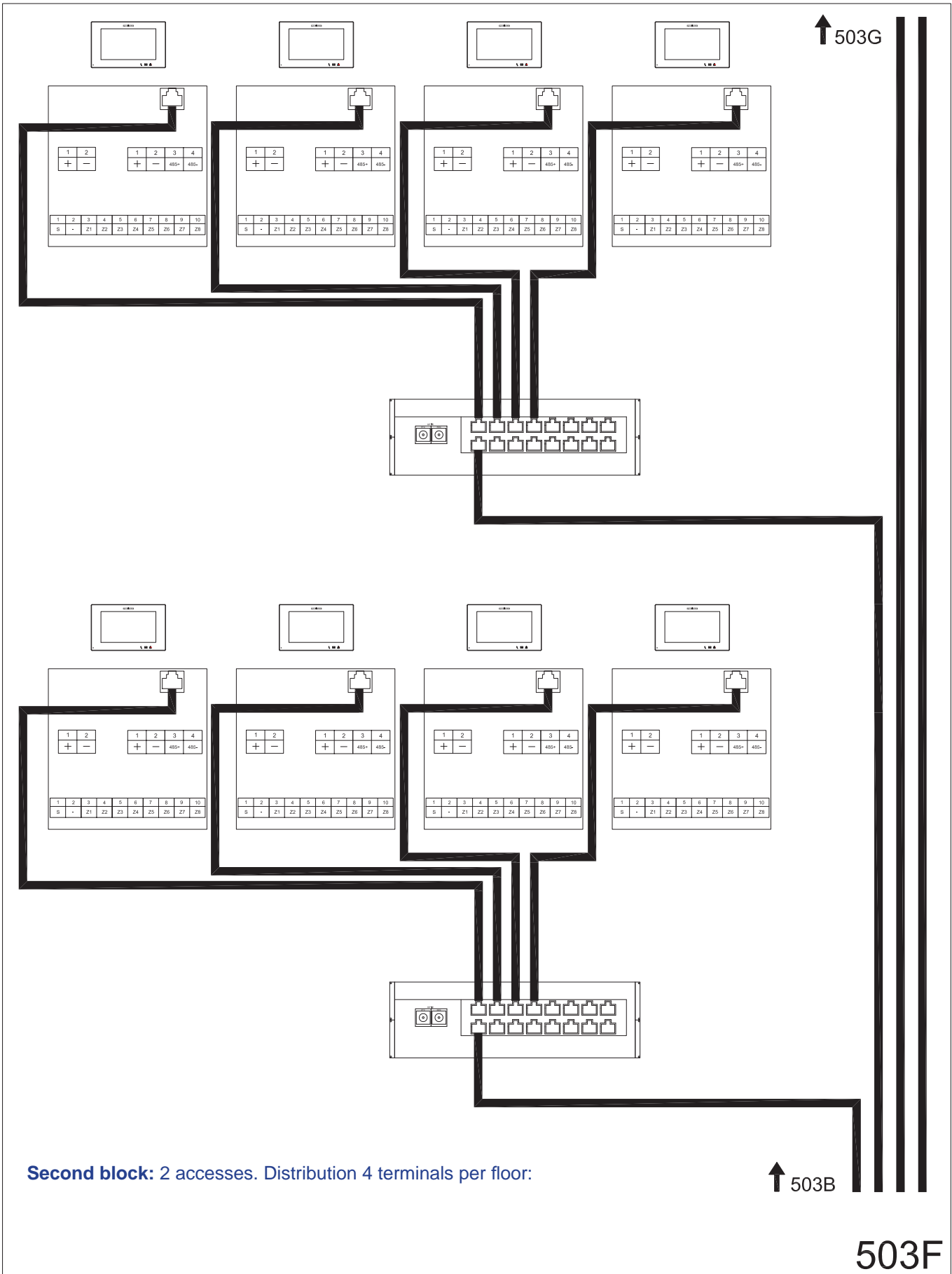
503E - WIRING DIAGRAM. Connection detail: Second block: 2 video accesses.



**500: 2 GENERAL ENTRANCE Outdoor panels. 2 INTERNAL BLOCKS with 2 Outdoor Panels for each block. 4 Monitor per floor distribution.**

**503: Non-PoE Panels – PoE Monitors**

503F - WIRING DIAGRAM. Connection detail: Floors. 4 Monitor per floor distribution.



**Second block: 2 accesses. Distribution 4 terminals per floor:**

↑ 503B

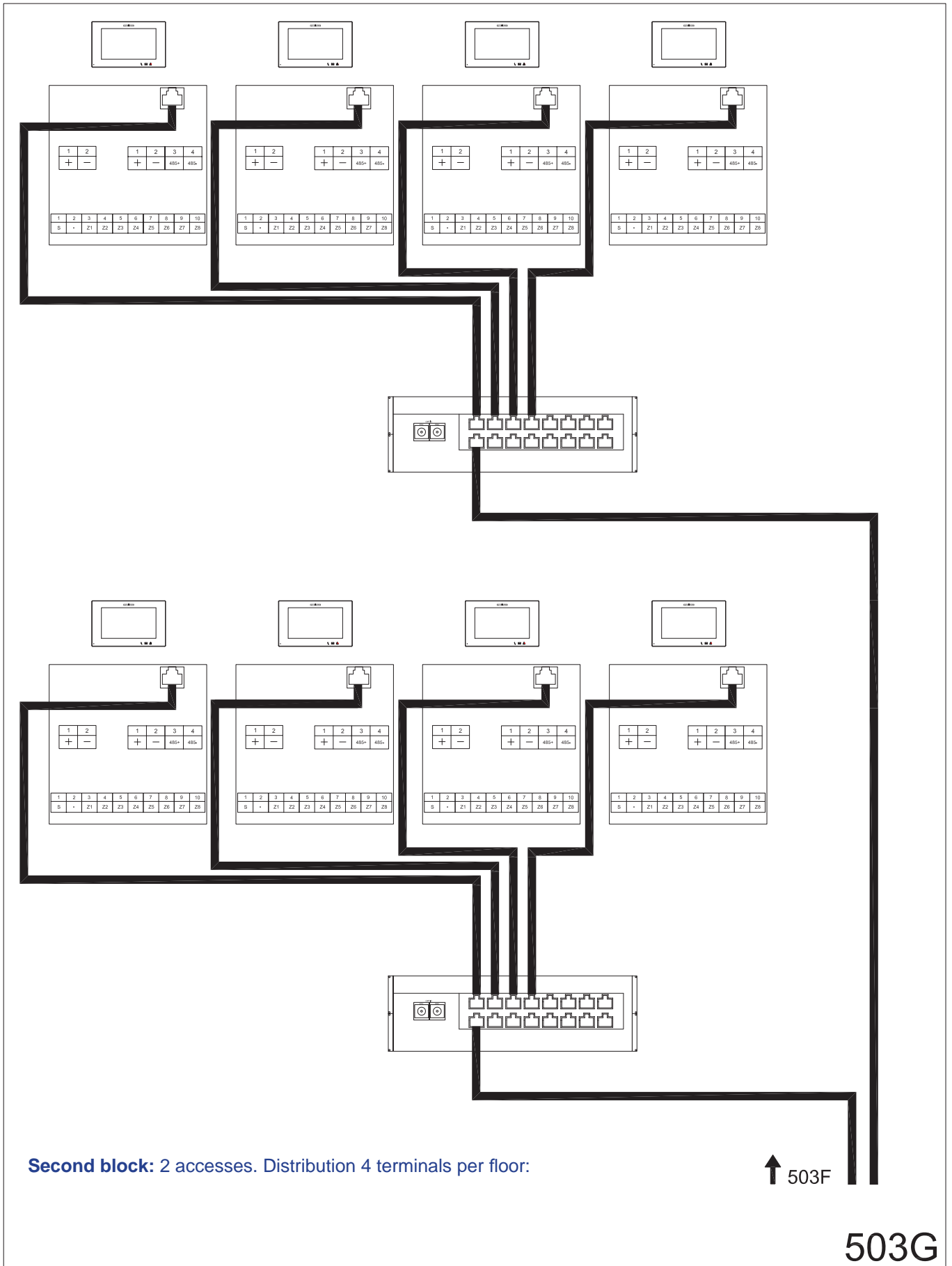
503F



**500: 2 GENERAL ENTRANCE Outdoor panels. 2 INTERNAL BLOCKS with 2 Outdoor Panels for each block. 4 Monitor per floor distribution.**

**503: Non-PoE Panels – PoE Monitors**

503G - WIRING DIAGRAM. Connection detail: Floors. 4 Monitor per floor distribution.



**Second block: 2 accesses. Distribution 4 terminals per floor:**

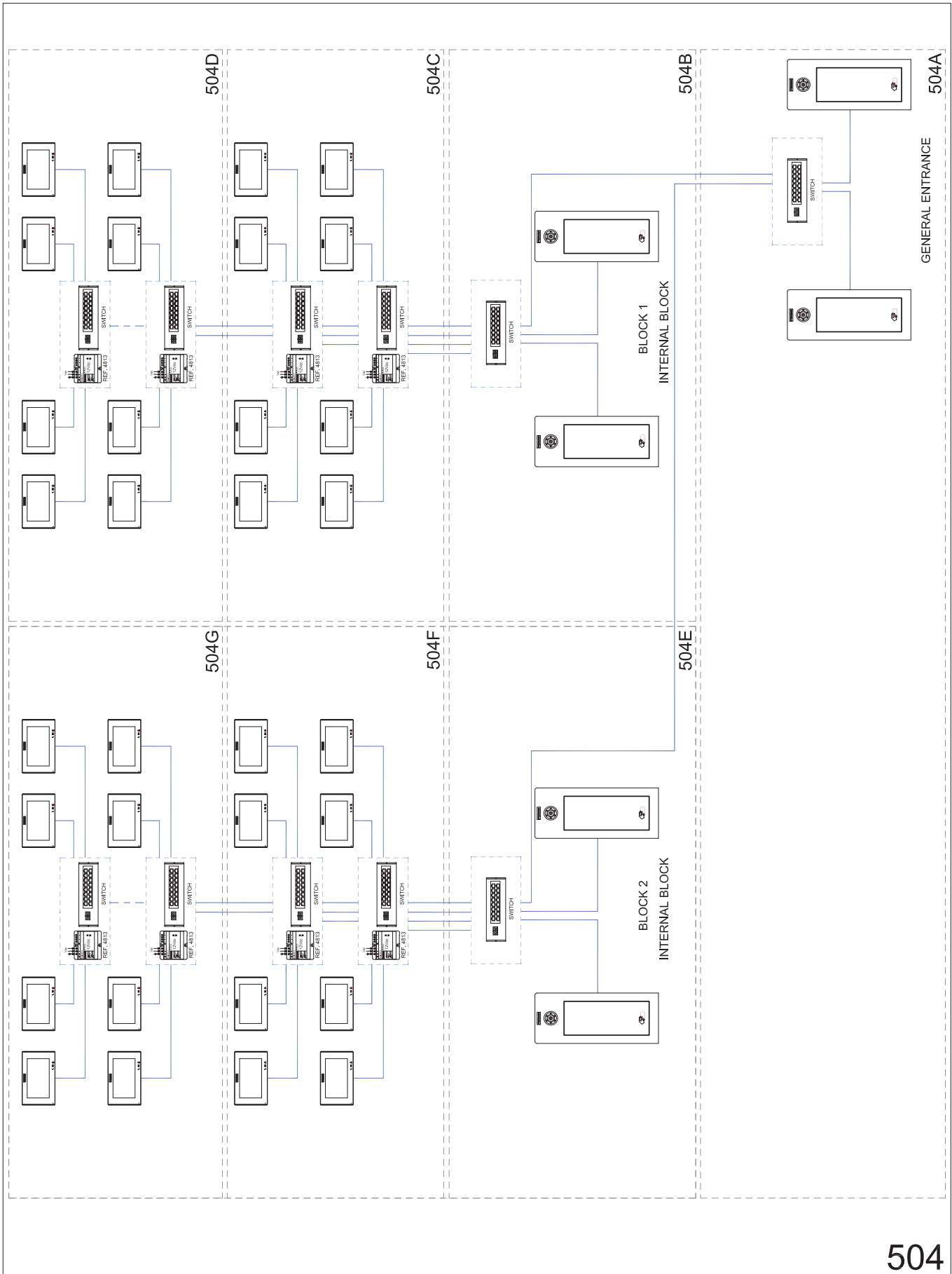
↑ 503F

503G

500: 2 GENERAL ENTRANCE Outdoor panels. 2 INTERNAL BLOCKS with 2 Outdoor Panels for each block. 4 Monitor per floor distribution.

504: PoE Panels – Non PoE Monitors

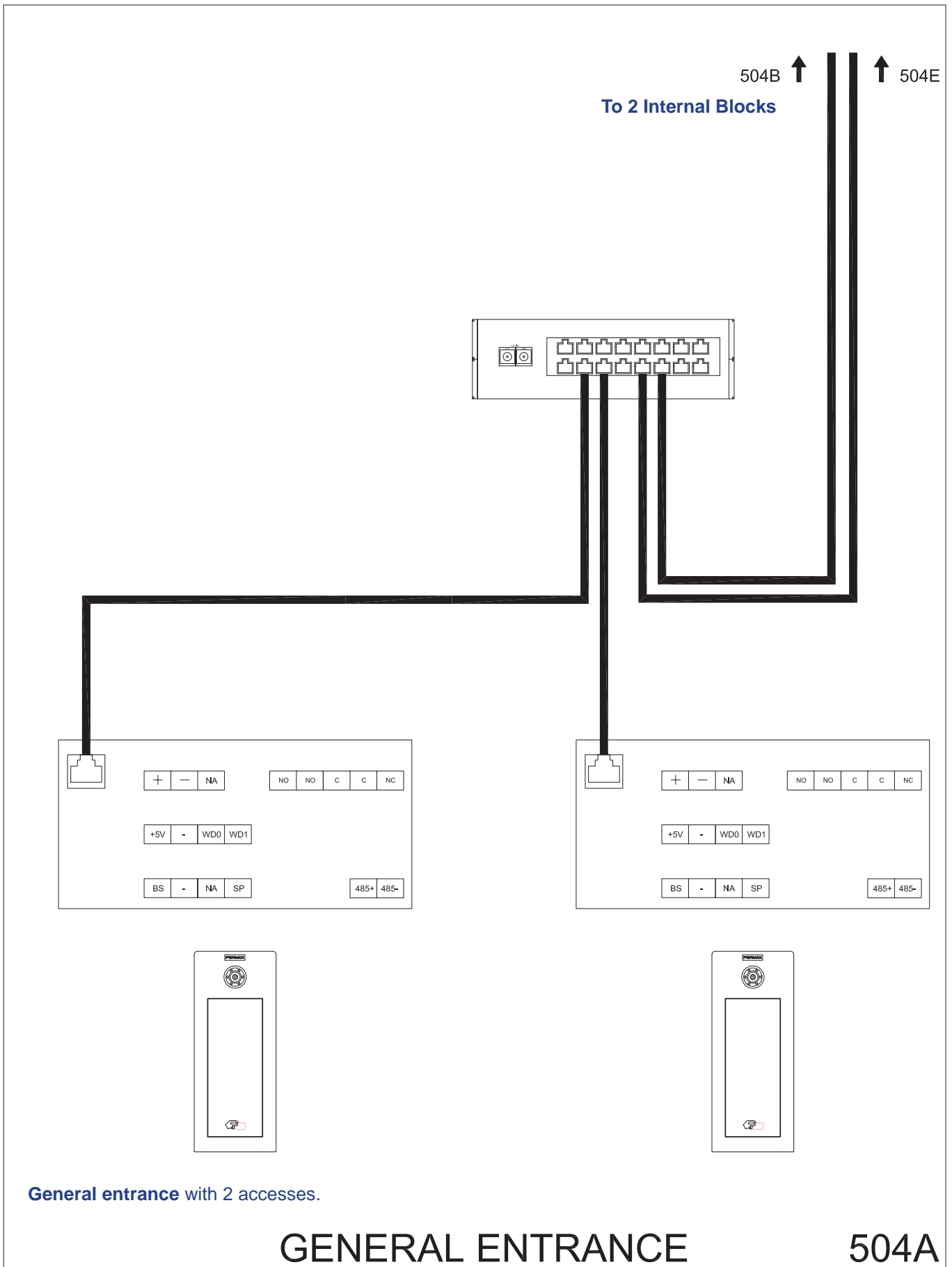
504 - SINGLE-LINE DIAGRAM.



500: 2 GENERAL ENTRANCE Outdoor panels. 2 INTERNAL BLOCKS with 2 Outdoor Panels for each block. 4 Monitor per floor distribution.

504: PoE Panels – Non PoE Monitors

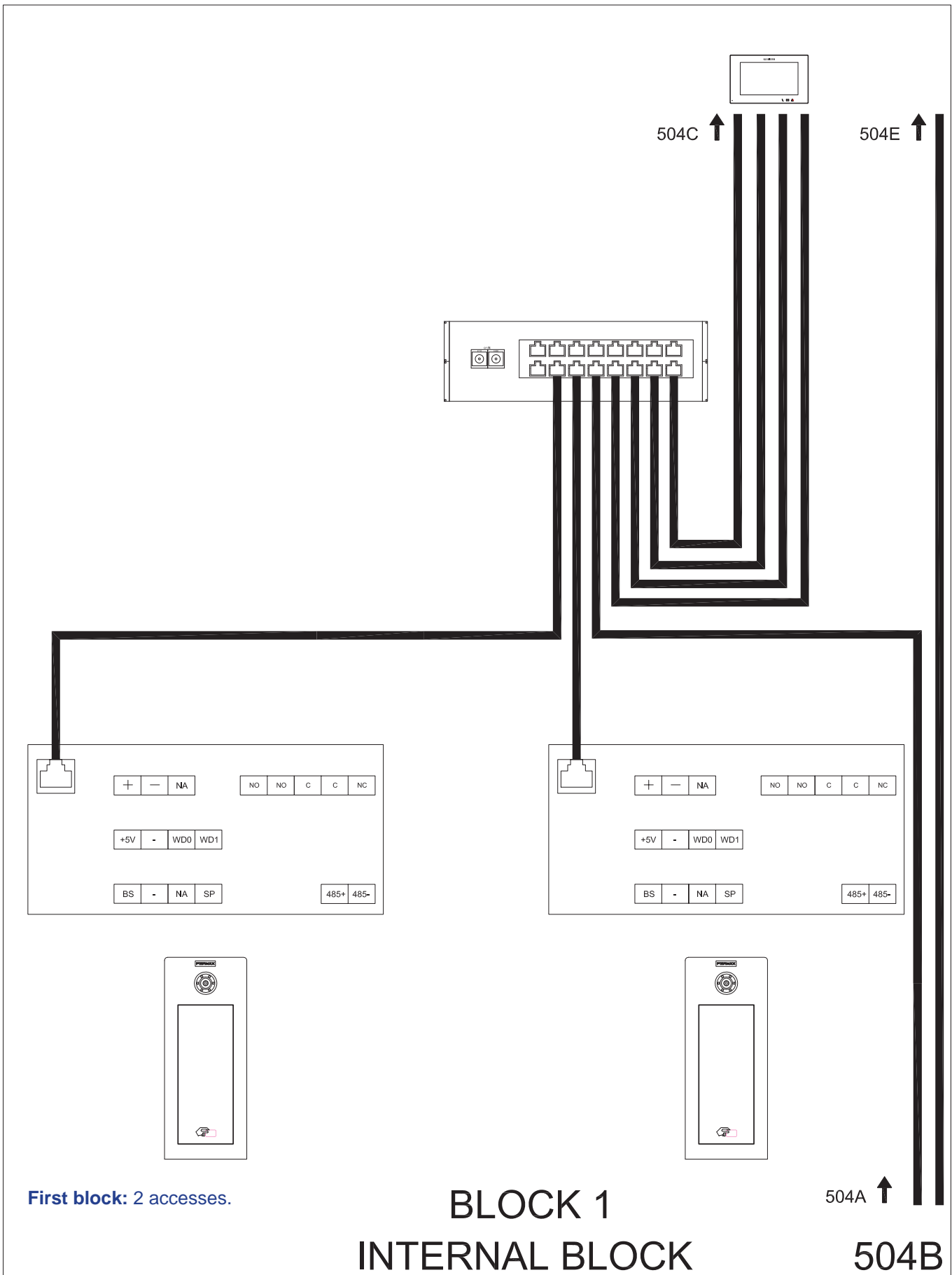
504A - WIRING DIAGRAM. Connection detail: 2 General Entrance video accesses to 2 internal blocks



**500:** 2 GENERAL ENTRANCE Outdoor panels. 2 INTERNAL BLOCKS with 2 Outdoor Panels for each block. 4 Monitor per floor distribution.

**504: PoE Panels – Non PoE Monitors**

504B - WIRING DIAGRAM. Connection detail: First block: 2 video accesses.



First block: 2 accesses.

BLOCK 1  
INTERNAL BLOCK

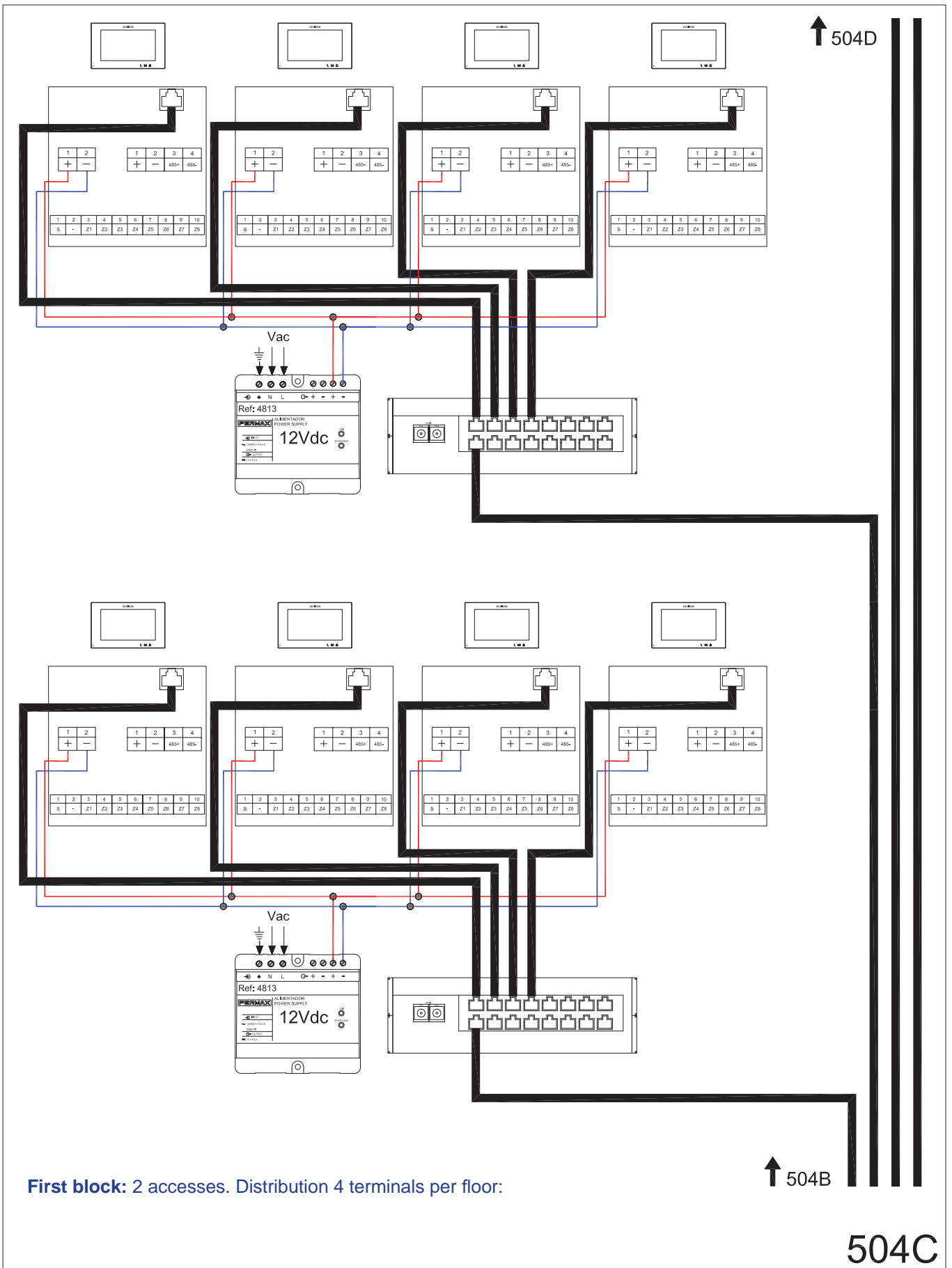
504A ↑

504B

**500: 2 GENERAL ENTRANCE Outdoor panels. 2 INTERNAL BLOCKS with 2 Outdoor Panels for each block. 4 Monitor per floor distribution.**

**504: PoE Panels – Non PoE Monitors**

504C - WIRING DIAGRAM. Connection detail: Floors. 4 Monitor per floor distribution.



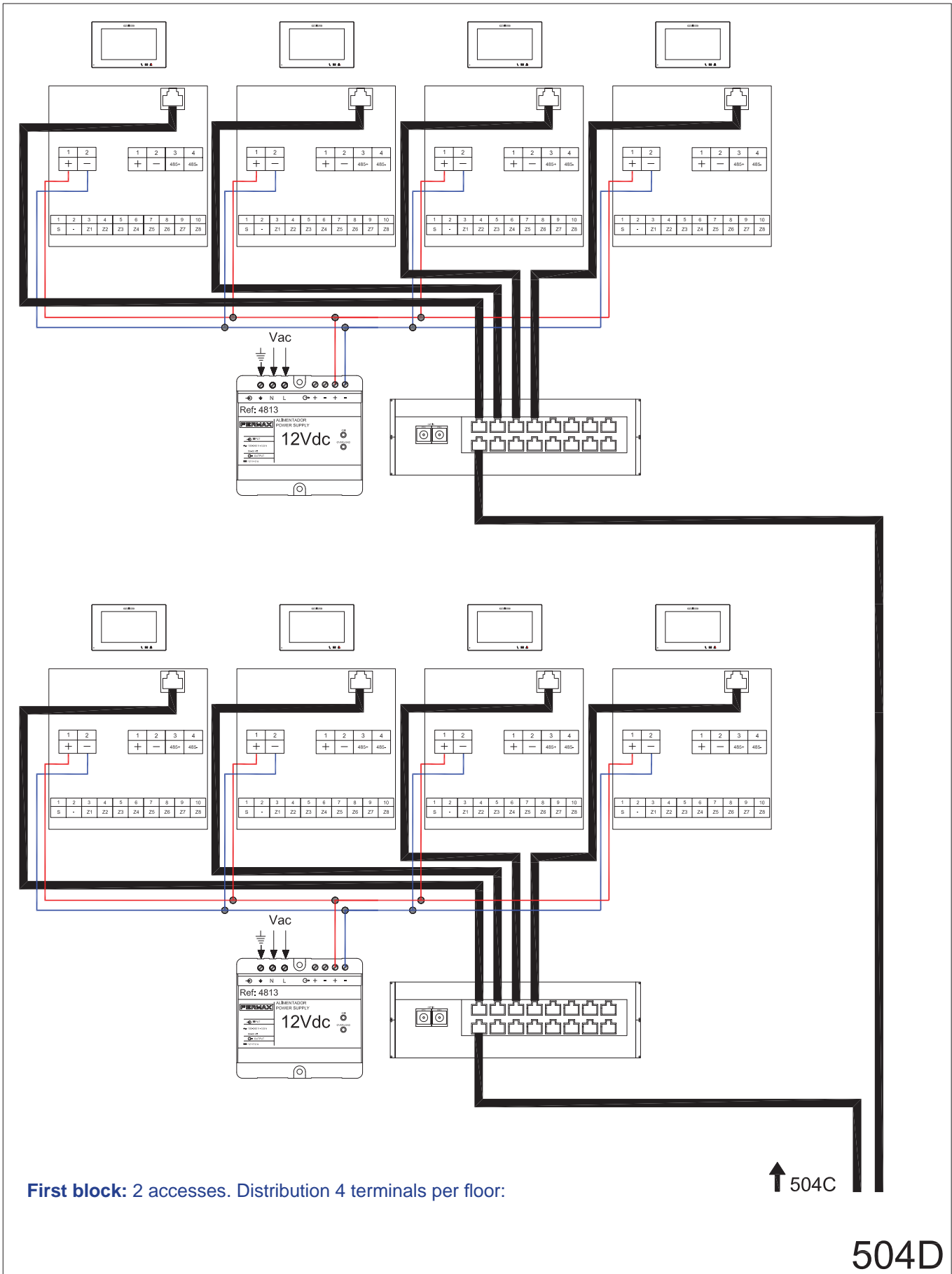
First block: 2 accesses. Distribution 4 terminals per floor:

504C

500: 2 GENERAL ENTRANCE Outdoor panels. 2 INTERNAL BLOCKS with 2 Outdoor Panels for each block. 4 Monitor per floor distribution.

504: PoE Panels – Non PoE Monitors

504D - WIRING DIAGRAM. Connection detail: Floors. 4 Monitor per floor distribution.



First block: 2 accesses. Distribution 4 terminals per floor:

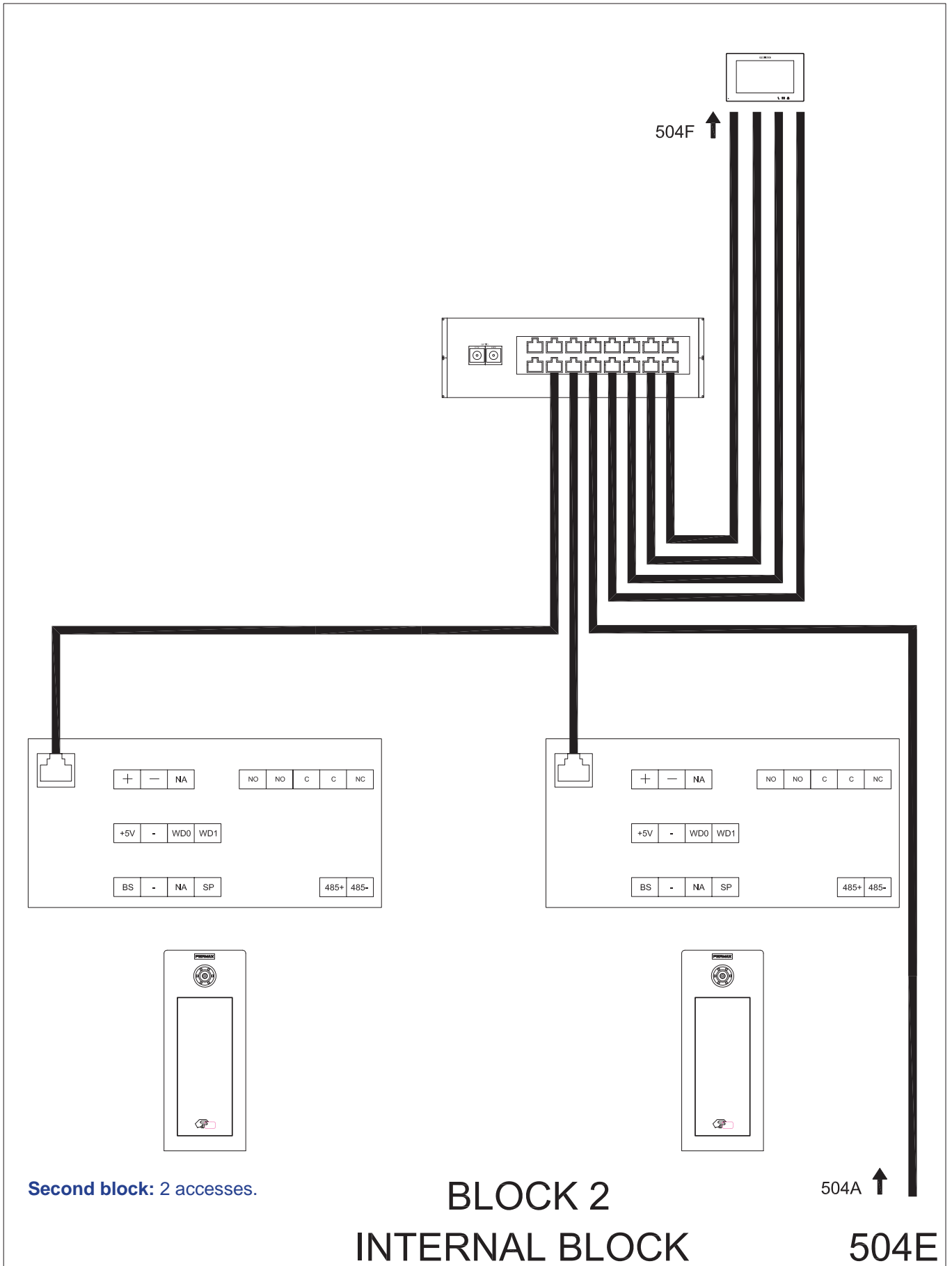
↑ 504C

504D

**500: 2 GENERAL ENTRANCE Outdoor panels. 2 INTERNAL BLOCKS with 2 Outdoor Panels for each block. 4 Monitor per floor distribution.**

**504: PoE Panels – Non PoE Monitors**

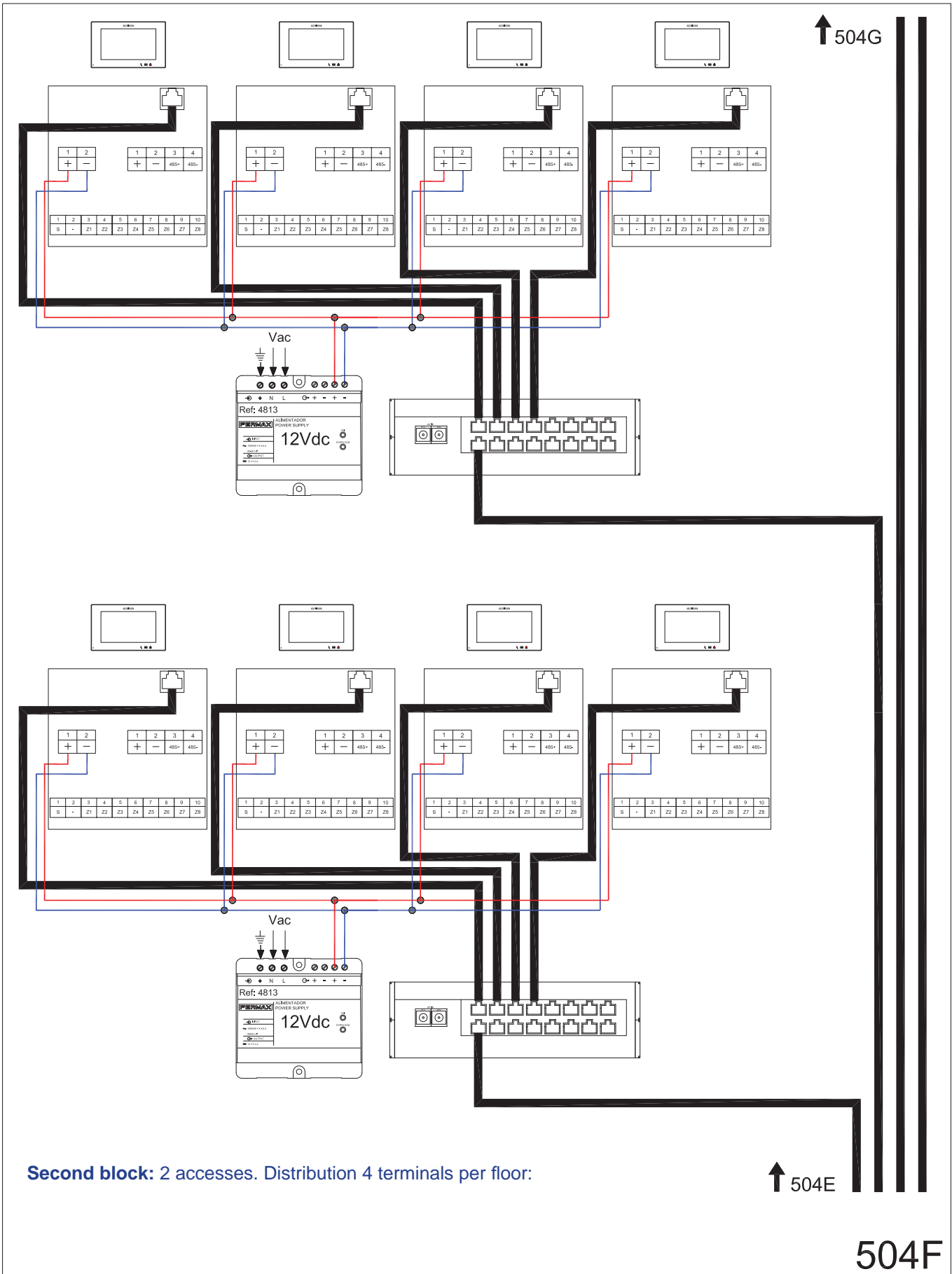
504E - WIRING DIAGRAM. Connection detail: Second block: 2 video accesses.



500: 2 GENERAL ENTRANCE Outdoor panels. 2 INTERNAL BLOCKS with 2 Outdoor Panels for each block. 4 Monitor per floor distribution.

504: PoE Panels – Non PoE Monitors

504F - WIRING DIAGRAM. Connection detail: Floors. 4 Monitor per floor distribution.



Second block: 2 accesses. Distribution 4 terminals per floor:

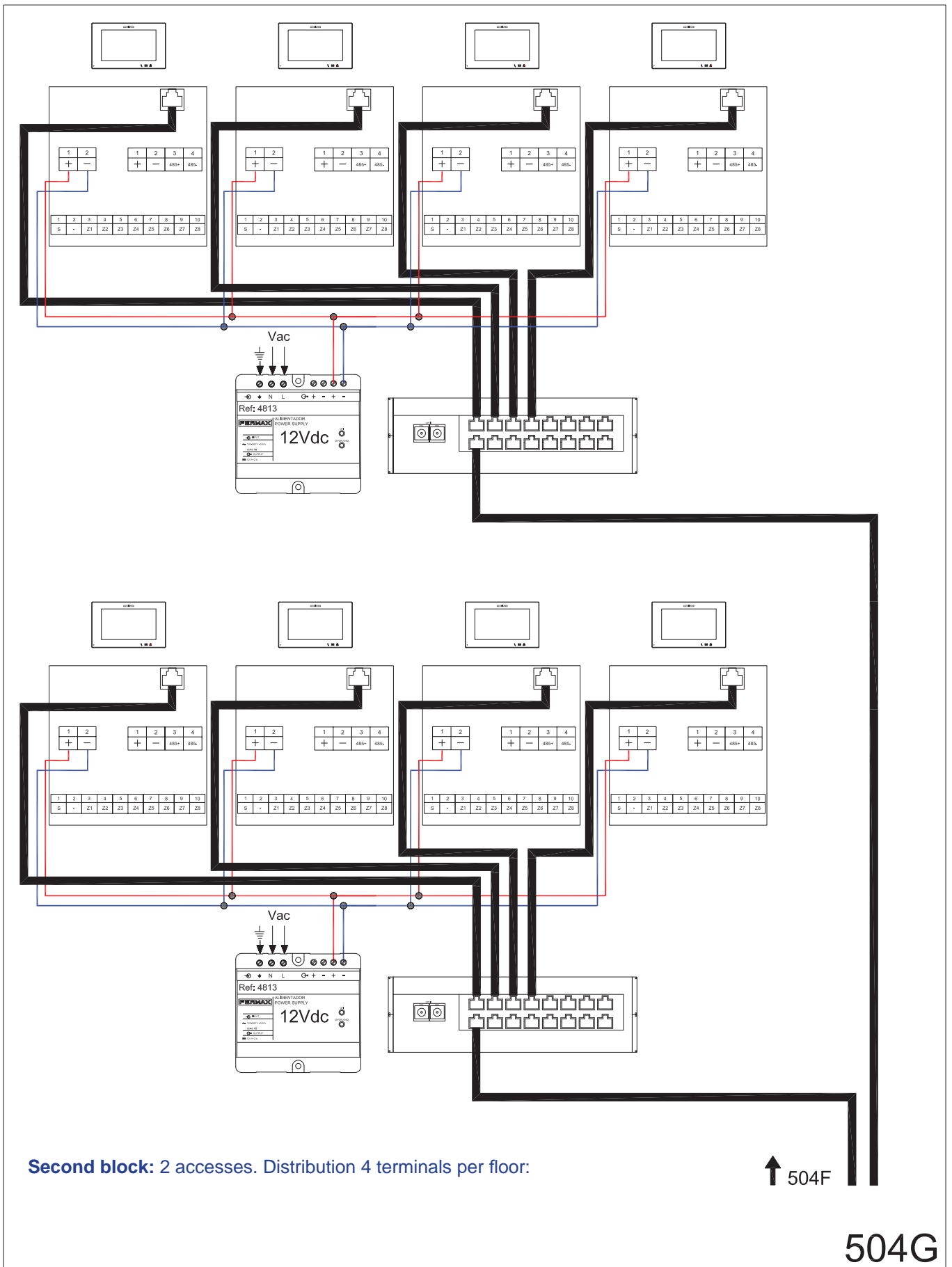
504F



**500: 2 GENERAL ENTRANCE Outdoor panels. 2 INTERNAL BLOCKS with 2 Outdoor Panels for each block. 4 Monitor per floor distribution.**

**504: PoE Panels – Non PoE Monitors**

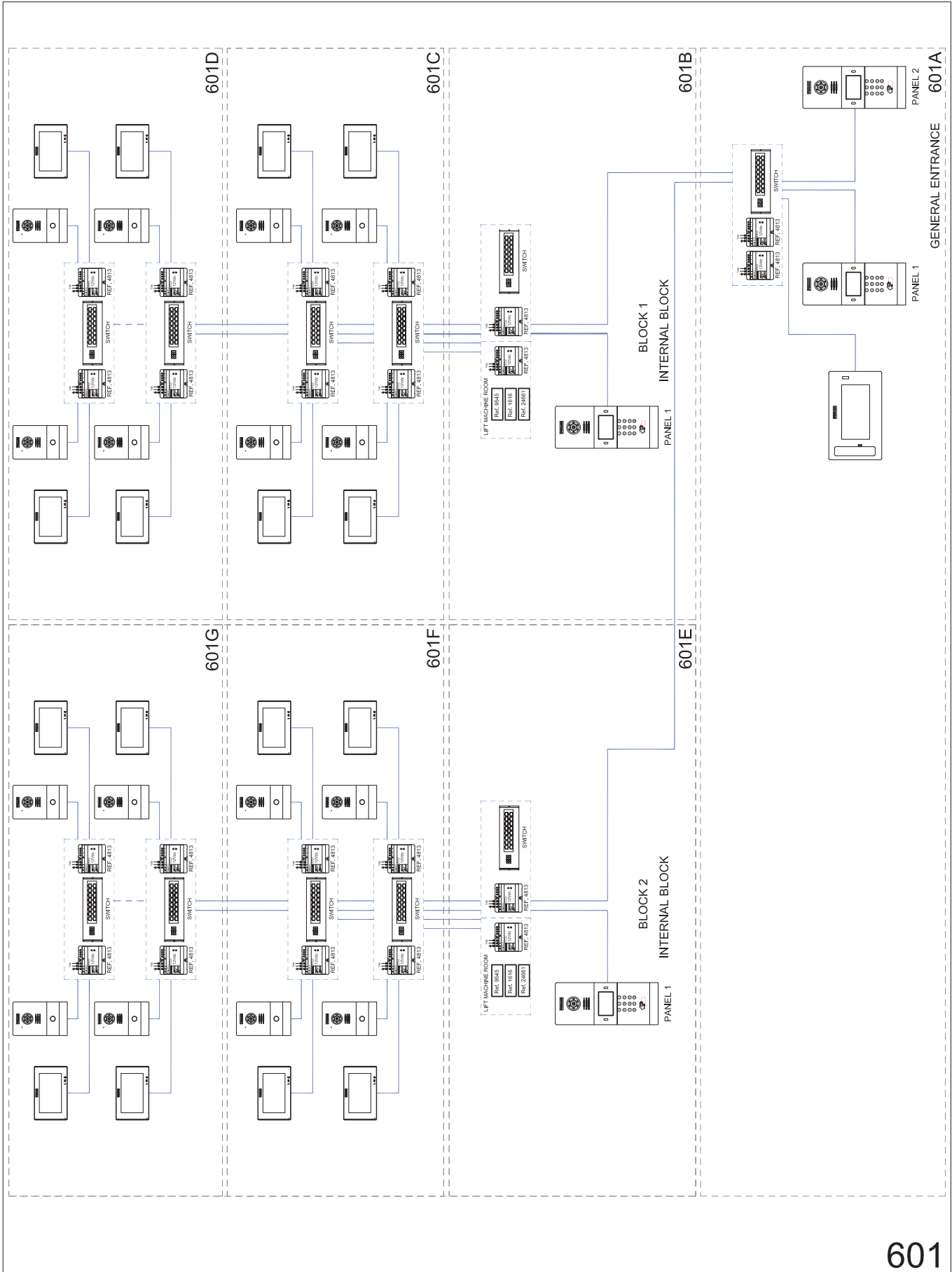
504G - WIRING DIAGRAM. Connection detail: Floors. 4 Monitor per floor distribution.



600: 2 GENERAL ENTRANCE Outdoor panels + Guard Unit. 2 INTERNAL BLOCKS with 1 Outdoor Panel + Lift Control for each block. Two 1W Outdoor Panels + Monitor per floor distribution.

601: Non-PoE Devices (Panels & Monitors)

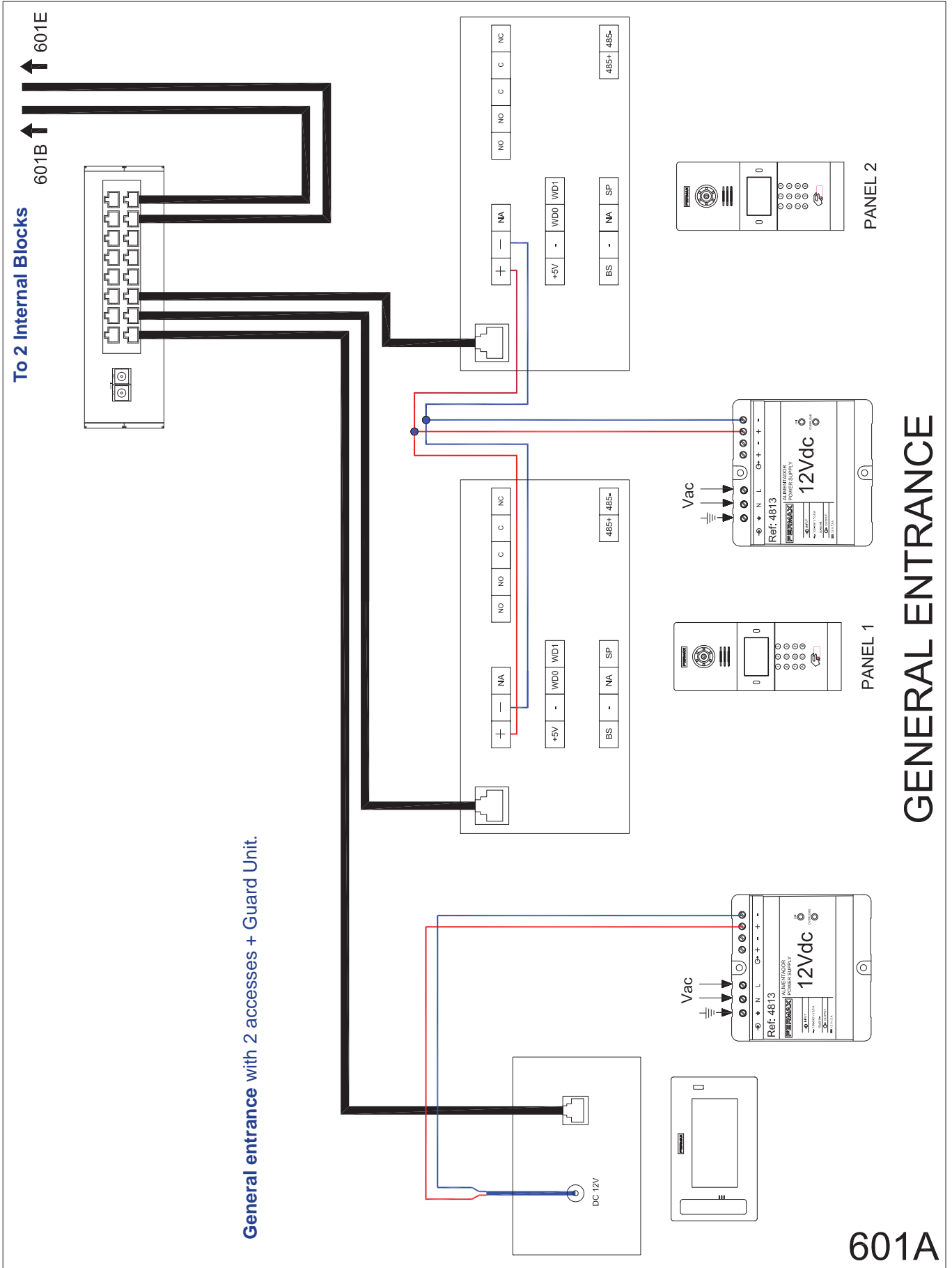
601 - SINGLE-LINE DIAGRAM.



**600:** 2 GENERAL ENTRANCE Outdoor panels + Guard Unit. 2 INTERNAL BLOCKS with 1 Outdoor Panel + Lift Control for each block. Two 1W Outdoor Panels + Monitor per floor distribution.

**601: Non-PoE Devices (Panels & Monitors)**

601A - WIRING DIAGRAM. Connection detail: 2 General video accesses + Guard Unit to 2 internal blocks



General entrance with 2 accesses + Guard Unit.

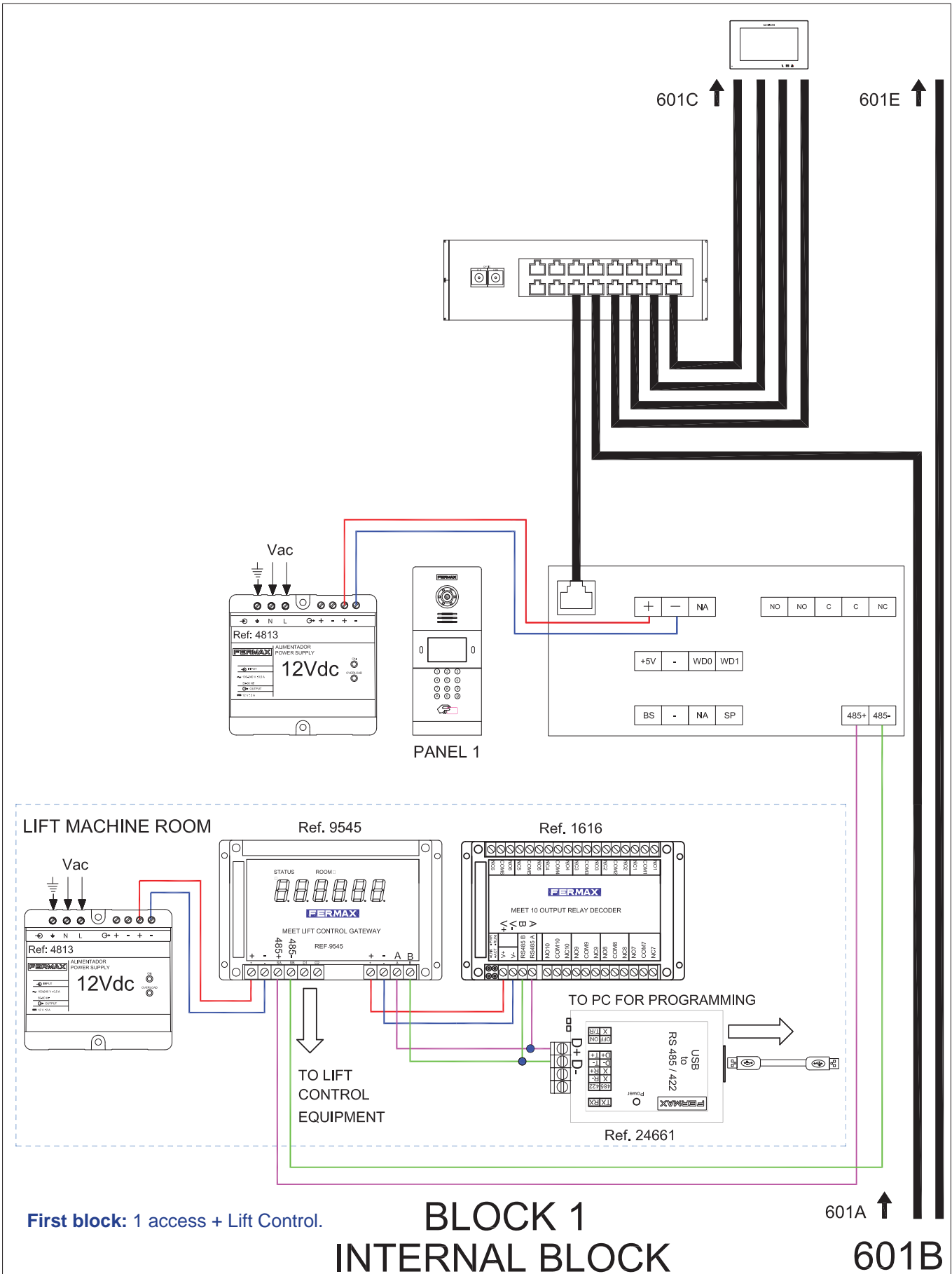
GENERAL ENTRANCE

601A

**600:** 2 GENERAL ENTRANCE Outdoor panels + Guard Unit. 2 INTERNAL BLOCKS with 1 Outdoor Panel + Lift Control for each block. Two 1W Outdoor Panels + Monitor per floor distribution.

**601: Non-PoE Devices (Panels & Monitors)**

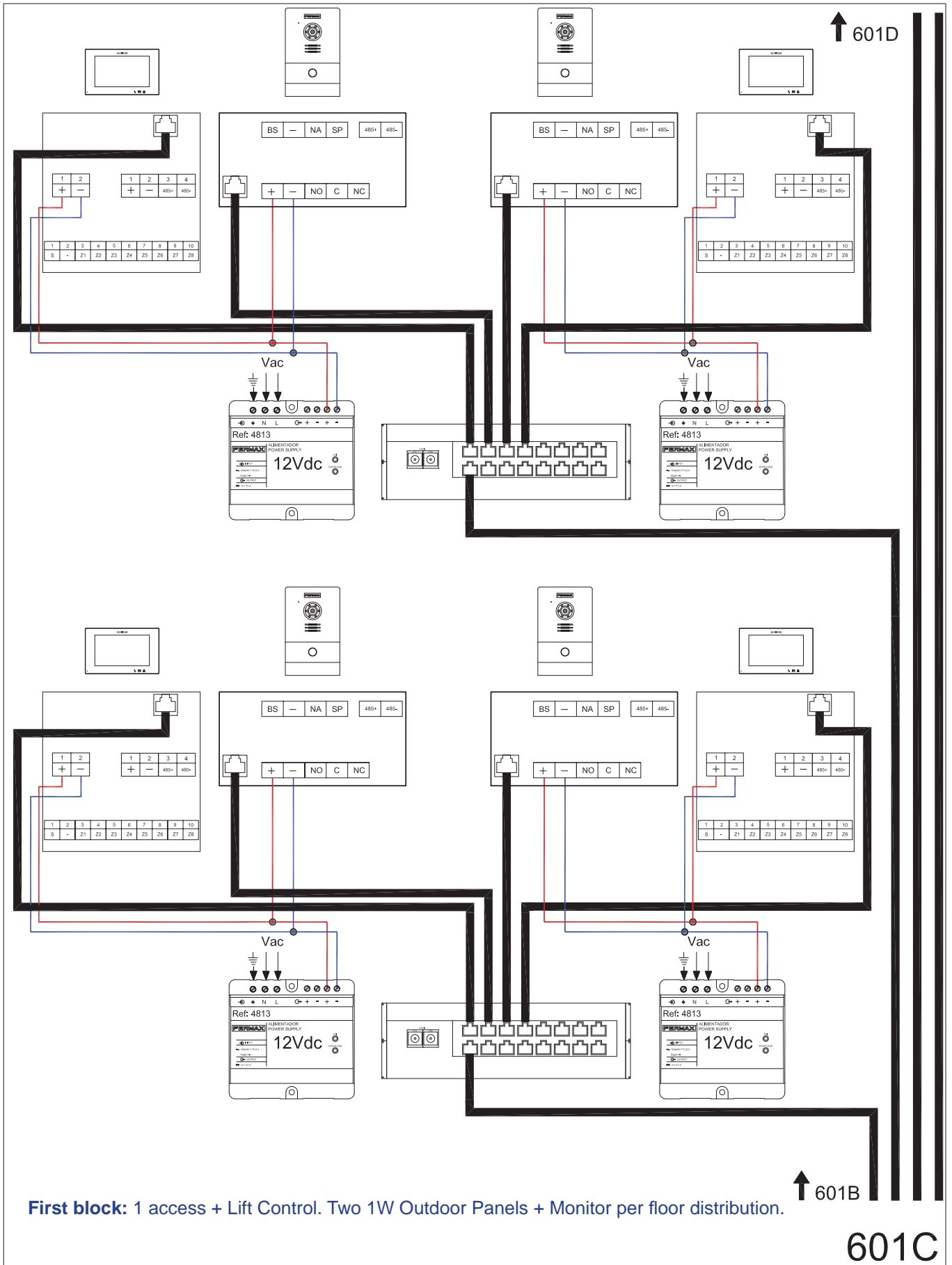
601B - WIRING DIAGRAM. Connection detail: First block: 1 video access + Lift Control.



**500: 2 GENERAL ENTRANCE Outdoor panels. 2 INTERNAL BLOCKS with 2 Outdoor Panels for each block. 4 Monitor per floor distribution.**

**601: Non-PoE Devices (Panels & Monitors)**

601C - WIRING DIAGRAM. Connection detail: Two 1W Outdoor Panels + Monitor per floor distribution.



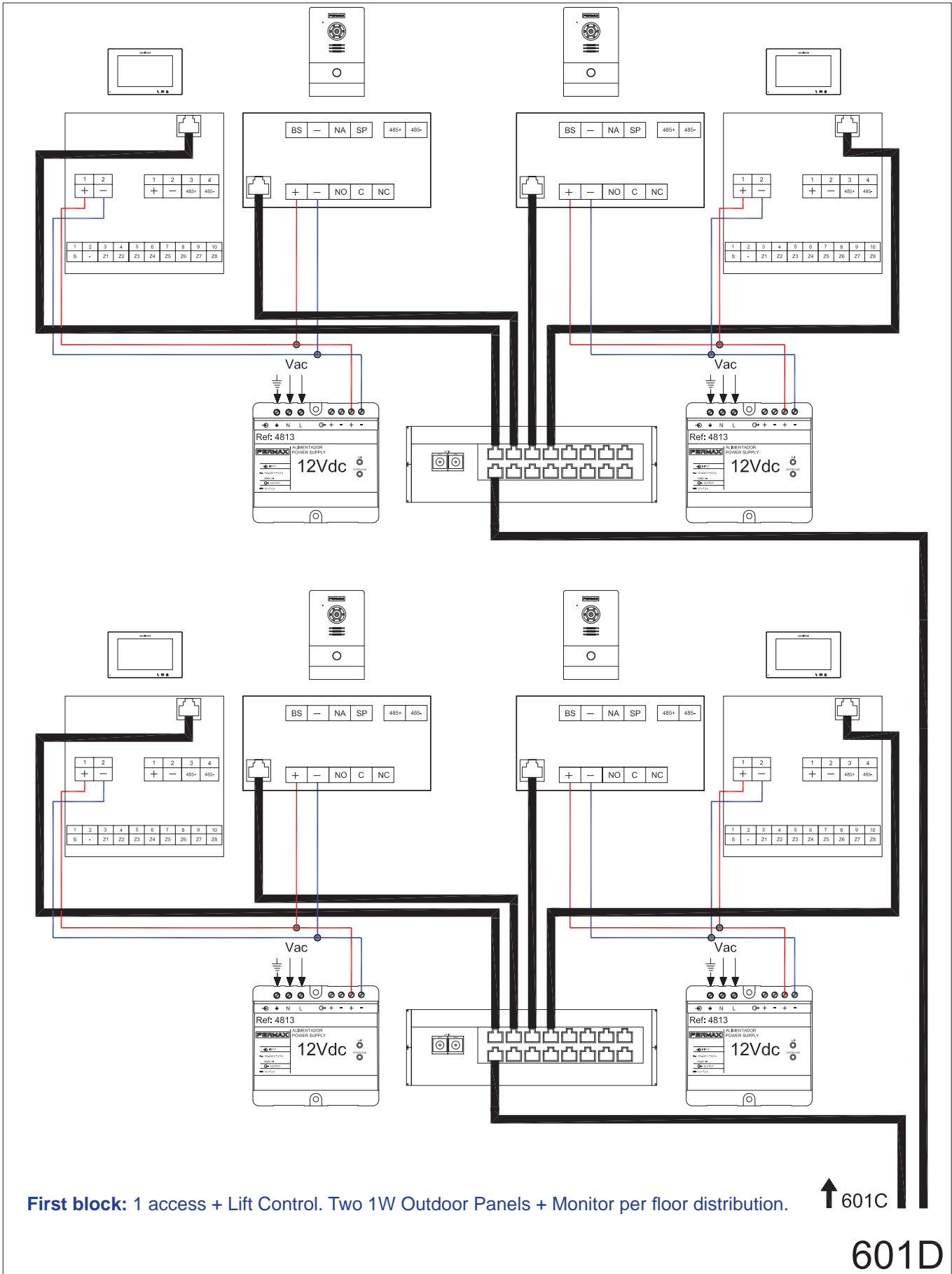
**First block: 1 access + Lift Control. Two 1W Outdoor Panels + Monitor per floor distribution.**

601C

**600: 2 GENERAL ENTRANCE Outdoor panels + Guard Unit. 2 INTERNAL BLOCKS with 1 Outdoor Panel + Lift Control for each block. Two 1W Outdoor Panels + Monitor per floor distribution.**

**601: Non-PoE Devices (Panels & Monitors)**

601D - WIRING DIAGRAM. Connection detail: Two 1W Outdoor Panels + Monitor per floor distribution.



**First block: 1 access + Lift Control. Two 1W Outdoor Panels + Monitor per floor distribution.**

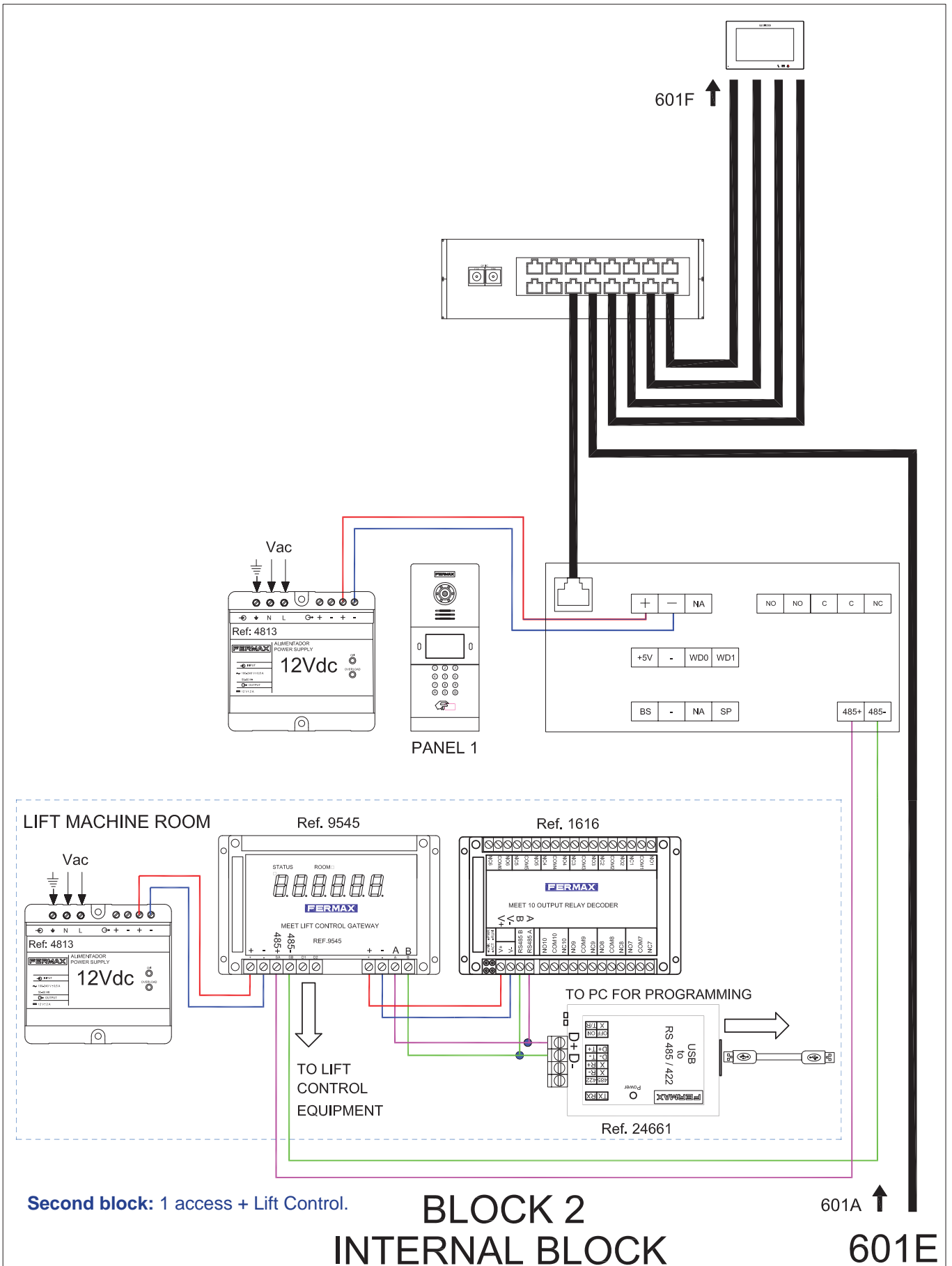
↑ 601C

601D

**600:** 2 GENERAL ENTRANCE Outdoor panels + Guard Unit. 2 INTERNAL BLOCKS with 1 Outdoor Panel + Lift Control for each block. Two 1W Outdoor Panels + Monitor per floor distribution.

**601: Non-PoE Devices (Panels & Monitors)**

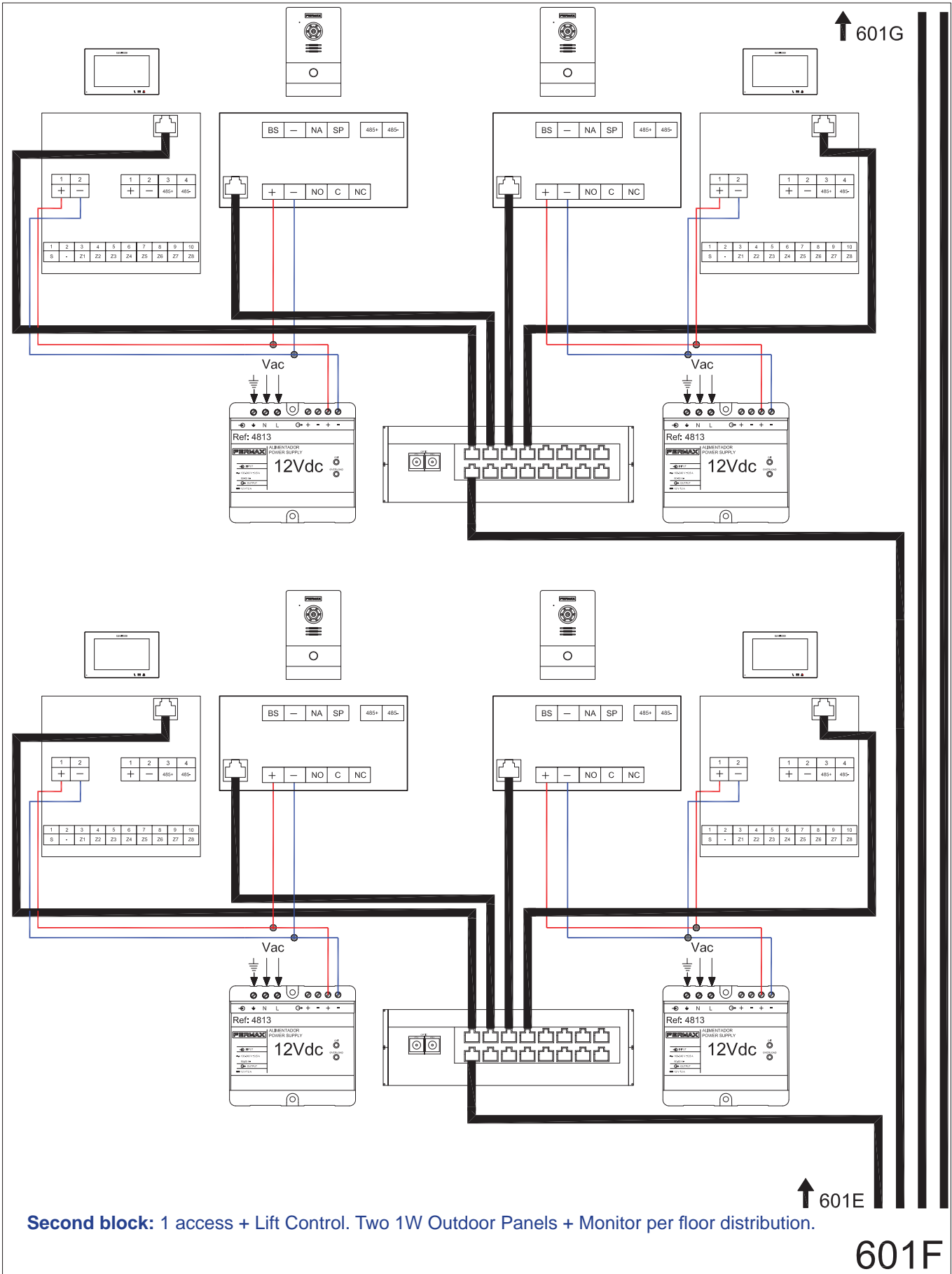
601E - WIRING DIAGRAM. Connection detail: Second block: 1 video access + Lift Control.



**600: 2 GENERAL ENTRANCE Outdoor panels + Guard Unit. 2 INTERNAL BLOCKS with 1 Outdoor Panel + Lift Control for each block. Two 1W Outdoor Panels + Monitor per floor distribution.**

**601: Non-PoE Devices (Panels & Monitors)**

601F - WIRING DIAGRAM. Connection detail: Two 1W Outdoor Panels + Monitor per floor distribution.

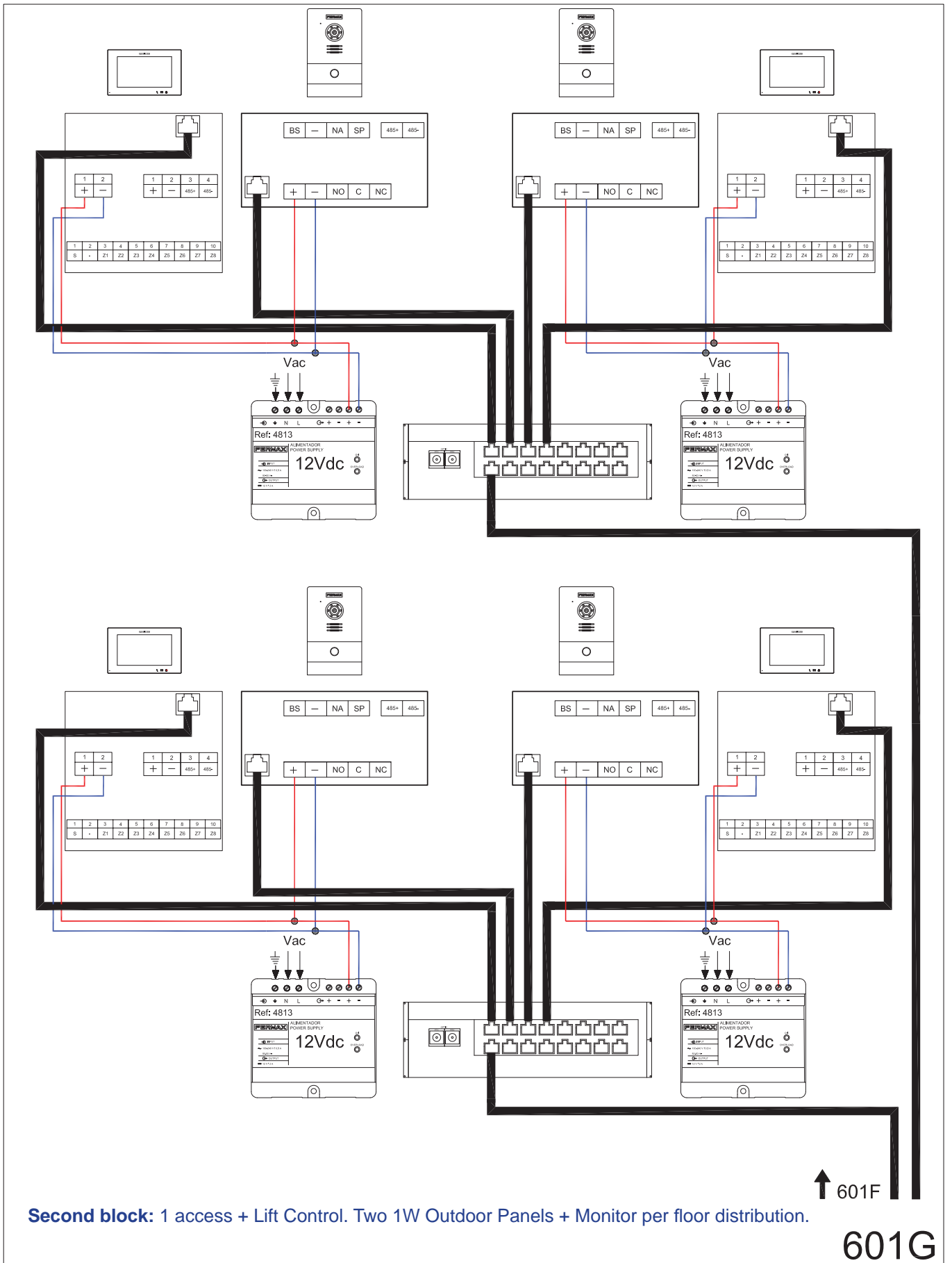




**600: 2 GENERAL ENTRANCE Outdoor panels + Guard Unit. 2 INTERNAL BLOCKS with 1 Outdoor Panel + Lift Control for each block. Two 1W Outdoor Panels + Monitor per floor distribution.**

**601: Non-PoE Devices (Panels & Monitors)**

601G - WIRING DIAGRAM. Connection detail: Two 1W Outdoor Panels + Monitor per floor distribution.



↑ 601F

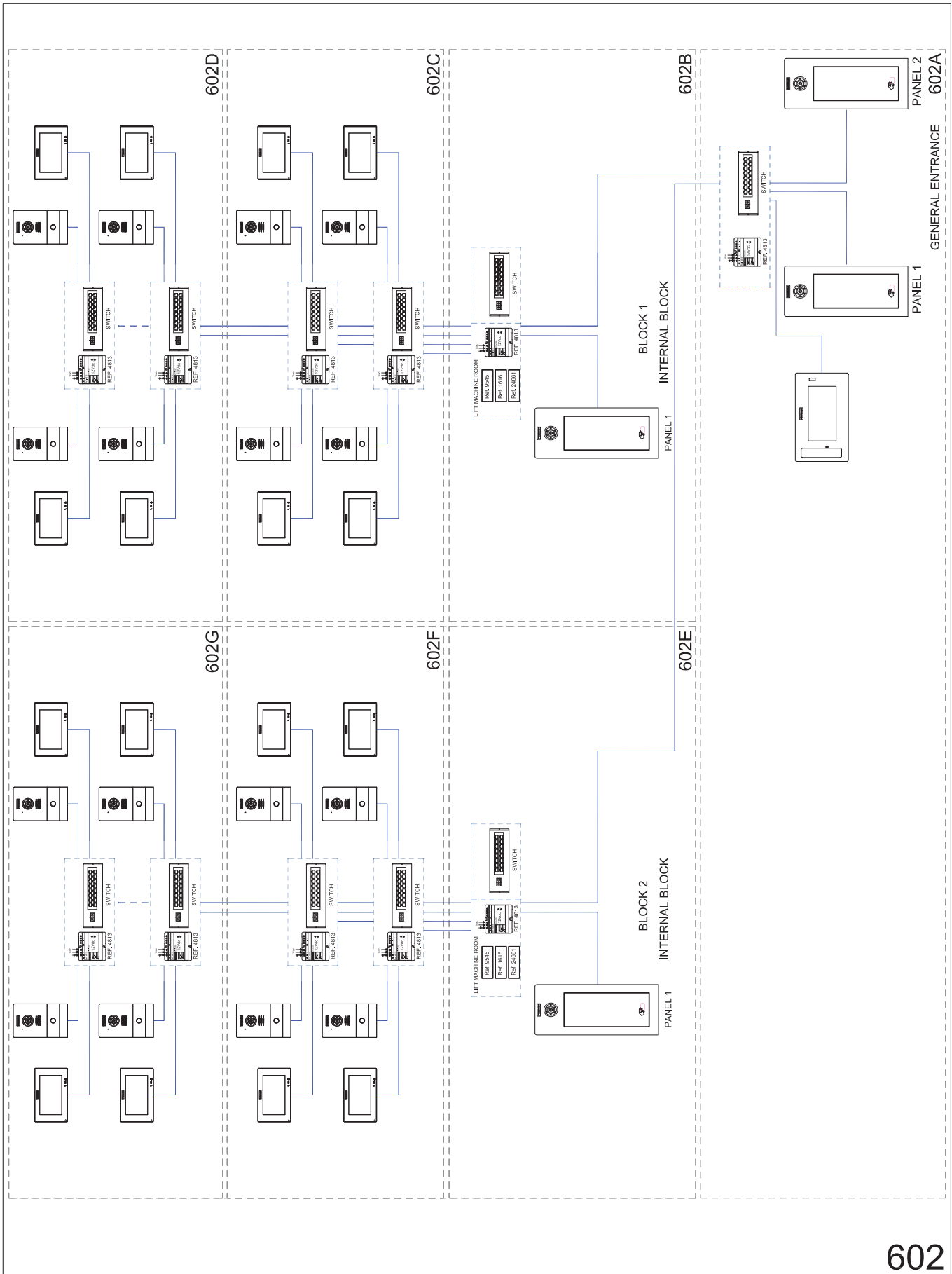
**Second block: 1 access + Lift Control. Two 1W Outdoor Panels + Monitor per floor distribution.**

601G

**600: 2 GENERAL ENTRANCE Outdoor panels + Guard Unit. 2 INTERNAL BLOCKS with 1 Outdoor Panel + Lift Control for each block. Two 1W Outdoor Panels + Monitor per floor distribution.**

**602: All PoE Devices (Panels & Monitors)**

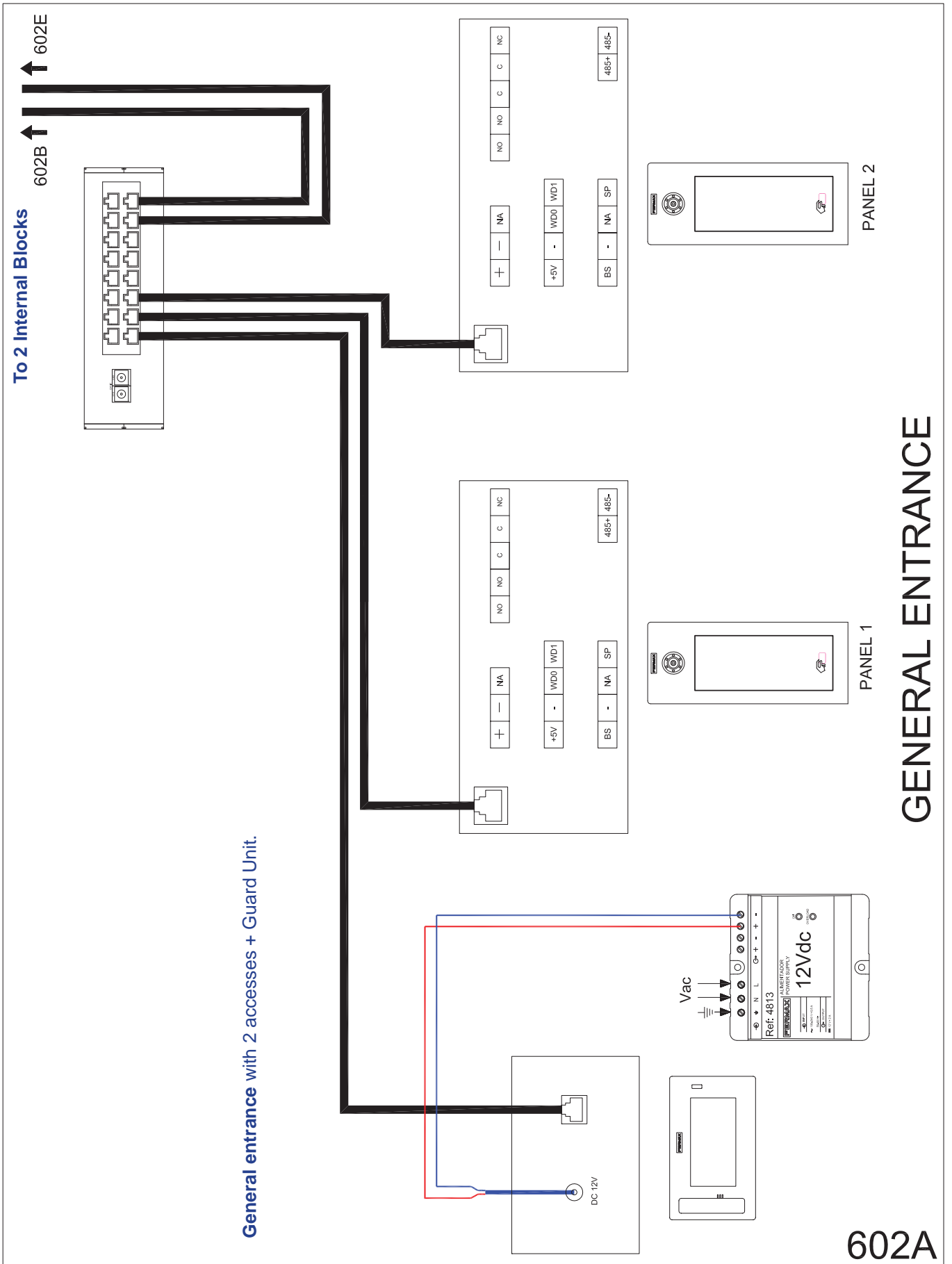
602 - SINGLE-LINE DIAGRAM.



**600:** 2 GENERAL ENTRANCE Outdoor panels + Guard Unit. 2 INTERNAL BLOCKS with 1 Outdoor Panel + Lift Control for each block. Two 1W Outdoor Panels + Monitor per floor distribution.

**602: All PoE Devices (Panels & Monitors)**

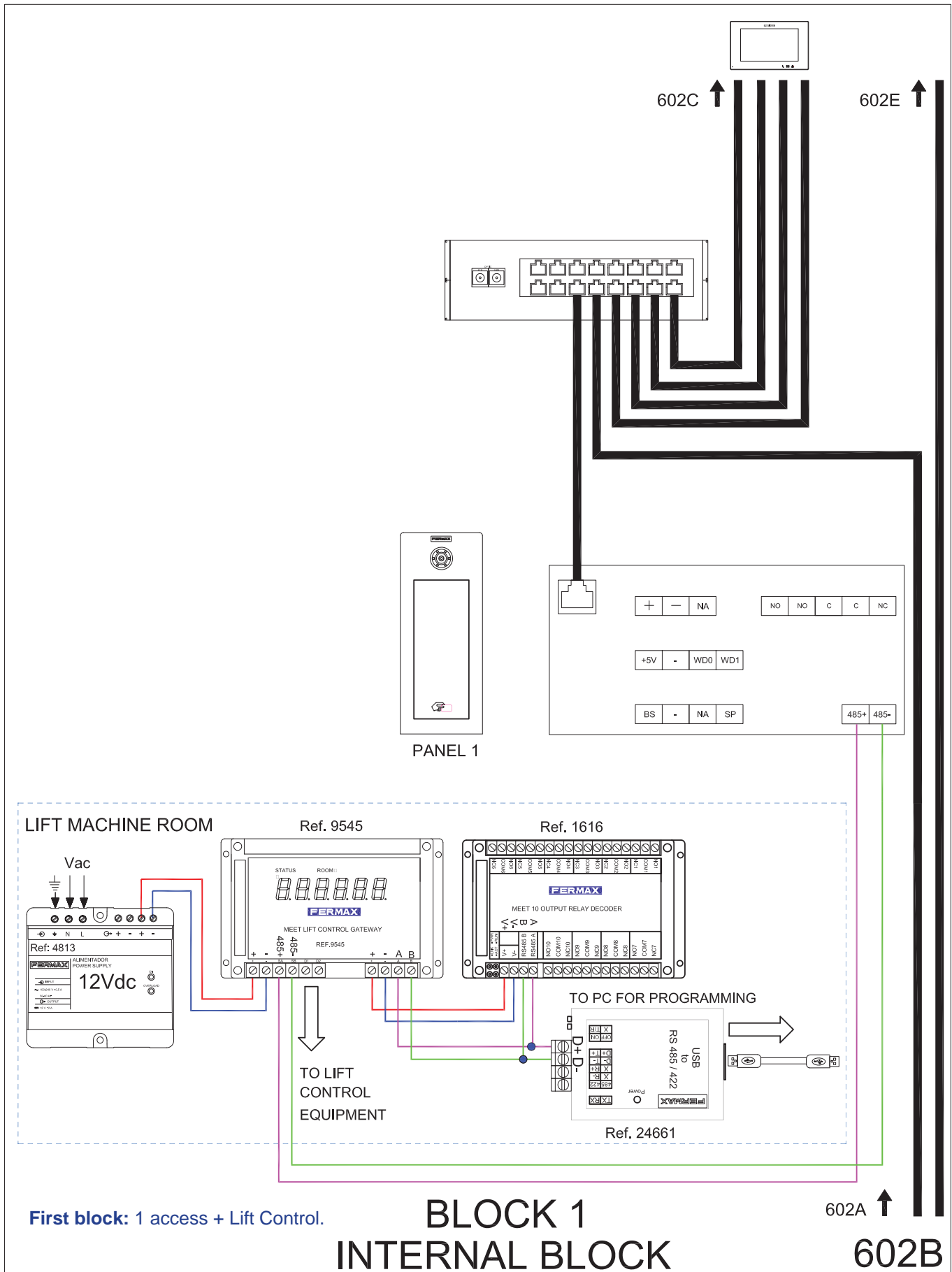
602A - WIRING DIAGRAM. Connection detail: 2 General video accesses + Guard Unit to 2 internal blocks



**600:** 2 GENERAL ENTRANCE Outdoor panels + Guard Unit. 2 INTERNAL BLOCKS with 1 Outdoor Panel + Lift Control for each block. Two 1W Outdoor Panels + Monitor per floor distribution.

**602:** All PoE Devices (Panels & Monitors)

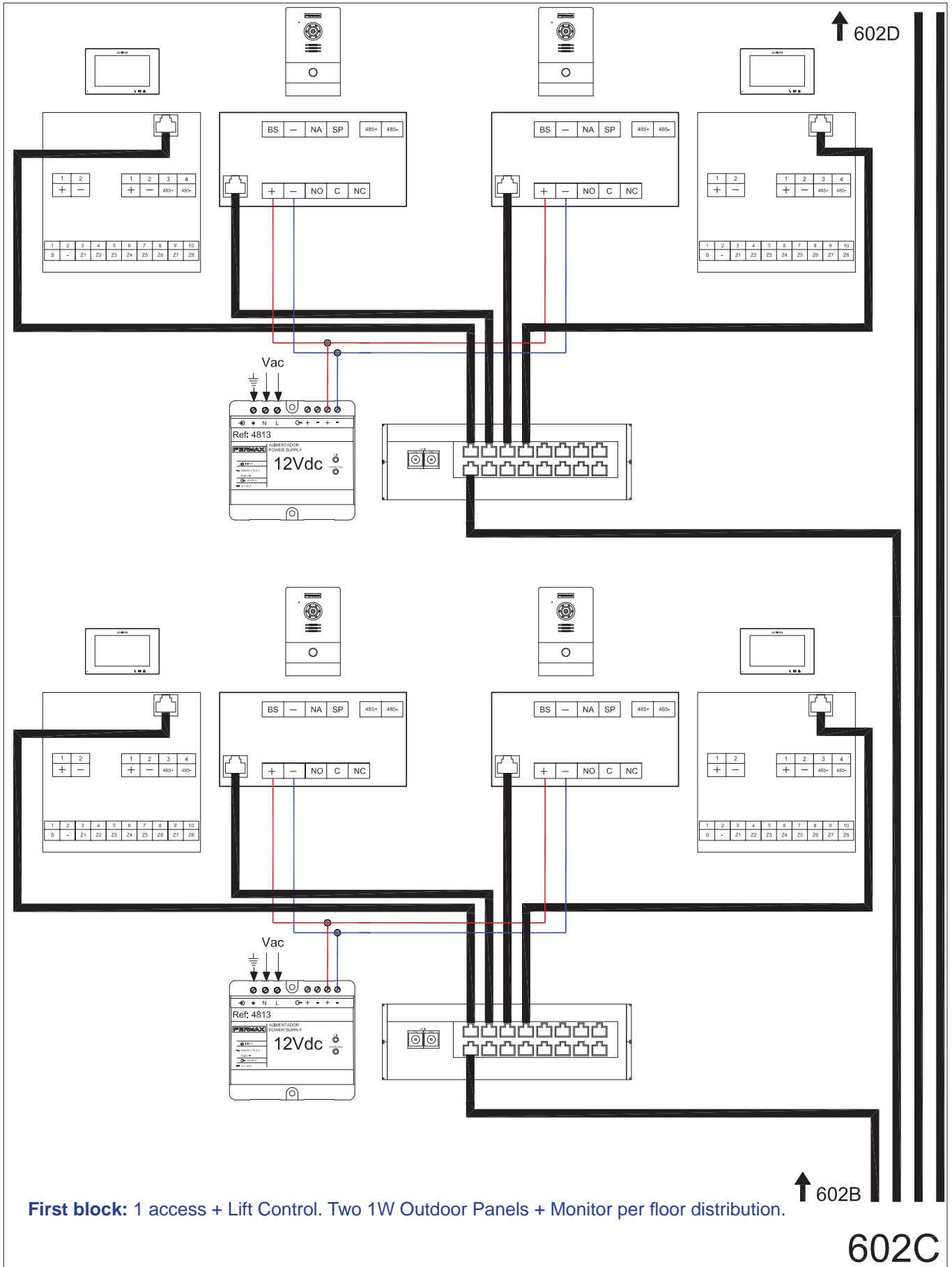
602B - WIRING DIAGRAM. Connection detail: First block: 1 video access + Lift Control.



**600: 2 GENERAL ENTRANCE Outdoor panels + Guard Unit. 2 INTERNAL BLOCKS with 1 Outdoor Panel + Lift Control for each block. Two 1W Outdoor Panels + Monitor per floor distribution.**

**602: All PoE Devices (Panels & Monitors)**

602C - WIRING DIAGRAM. Connection detail: Two 1W Outdoor Panels + Monitor per floor distribution.



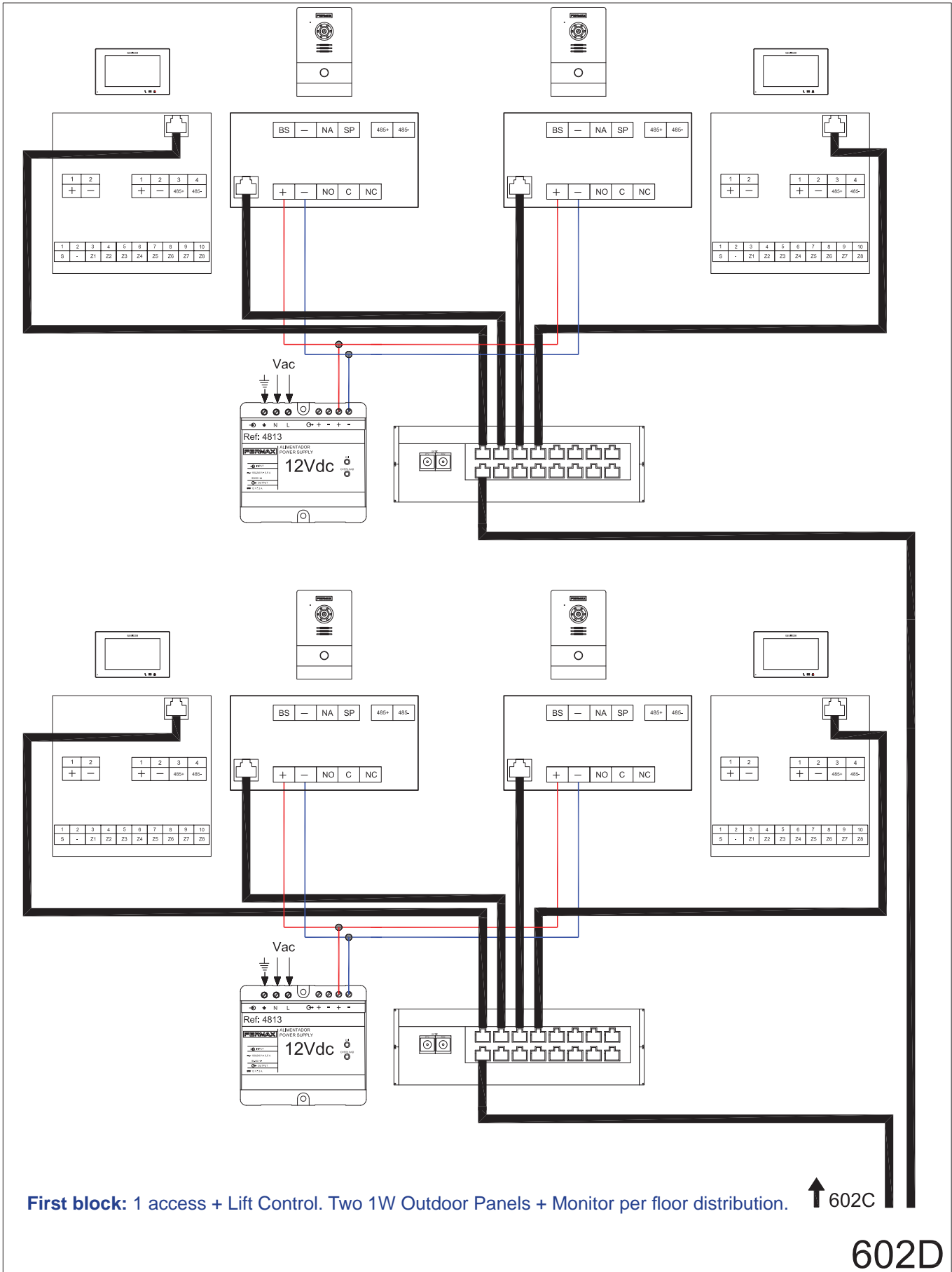
**First block: 1 access + Lift Control. Two 1W Outdoor Panels + Monitor per floor distribution.**

602C

**600: 2 GENERAL ENTRANCE Outdoor panels + Guard Unit. 2 INTERNAL BLOCKS with 1 Outdoor Panel + Lift Control for each block. Two 1W Outdoor Panels + Monitor per floor distribution.**

**602: All PoE Devices (Panels & Monitors)**

602D - WIRING DIAGRAM. Connection detail: Two 1W Outdoor Panels + Monitor per floor distribution.



First block: 1 access + Lift Control. Two 1W Outdoor Panels + Monitor per floor distribution.

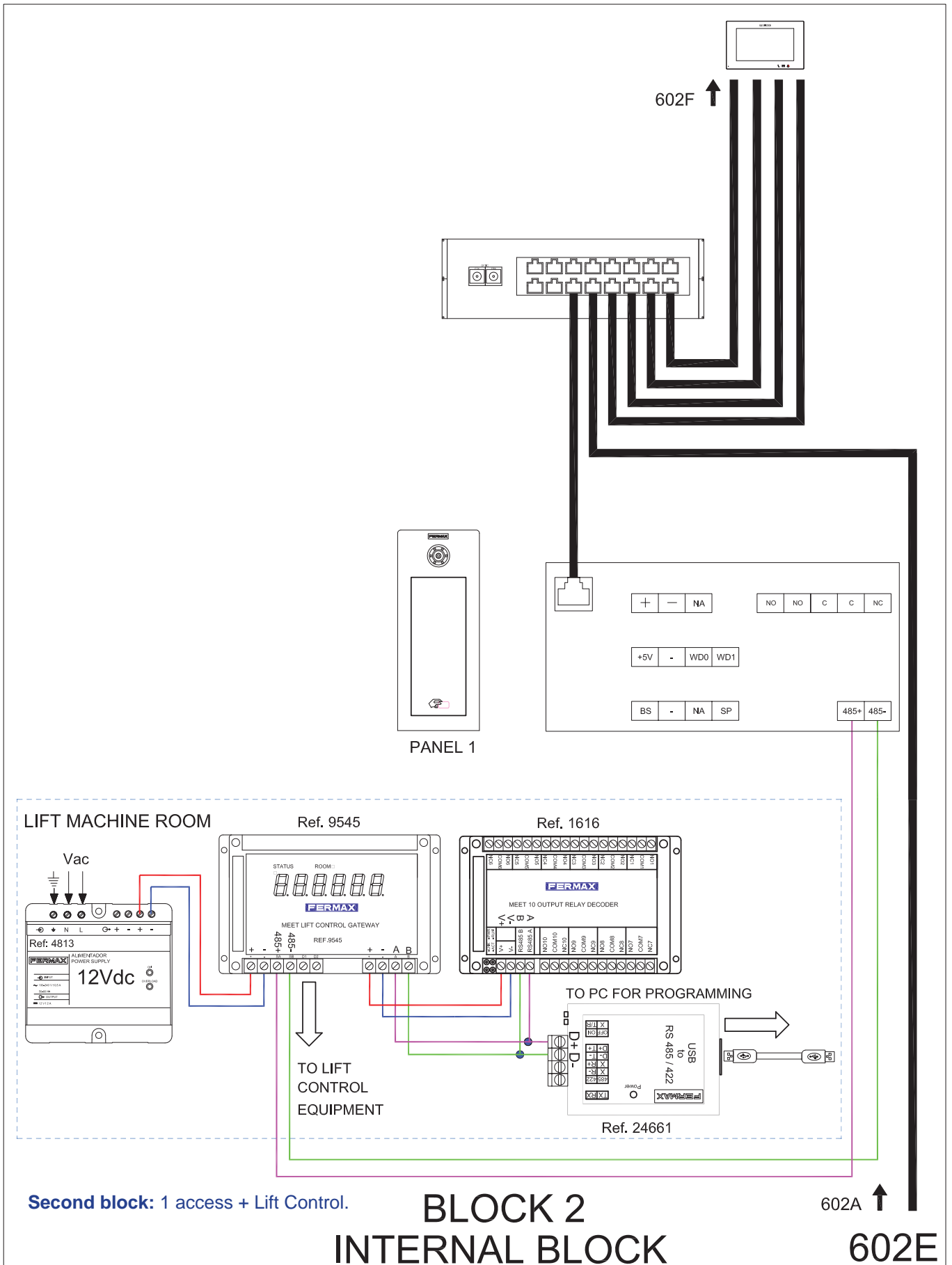
↑ 602C

602D

**600:** 2 GENERAL ENTRANCE Outdoor panels + Guard Unit. 2 INTERNAL BLOCKS with 1 Outdoor Panel + Lift Control for each block. Two 1W Outdoor Panels + Monitor per floor distribution.

**602: All PoE Devices (Panels & Monitors)**

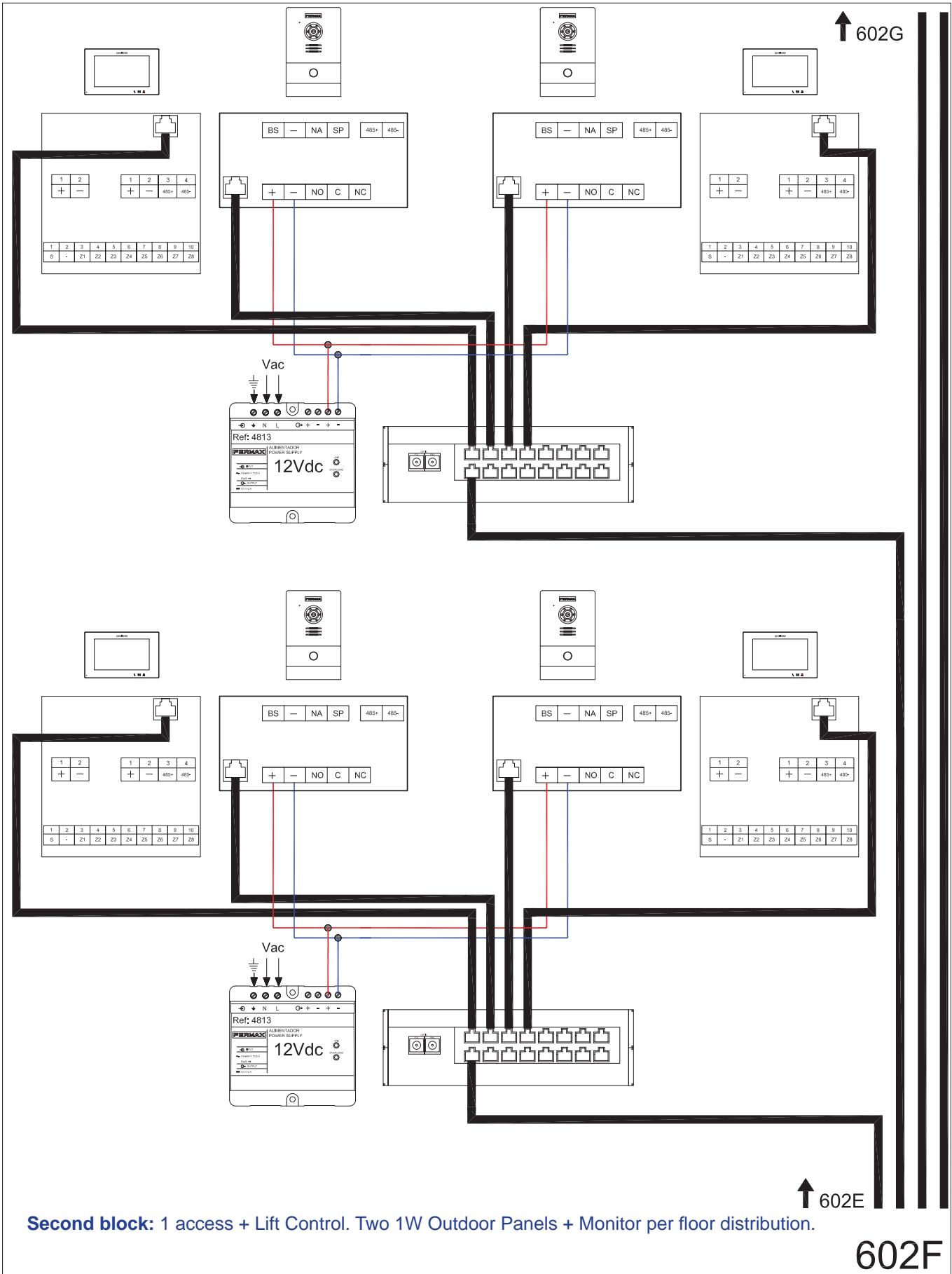
602E - WIRING DIAGRAM. Connection detail: Second block: 1 video access + Lift Control.



**600: 2 GENERAL ENTRANCE Outdoor panels + Guard Unit. 2 INTERNAL BLOCKS with 1 Outdoor Panel + Lift Control for each block. Two 1W Outdoor Panels + Monitor per floor distribution.**

**602: All PoE Devices (Panels & Monitors)**

**602F - WIRING DIAGRAM. Connection detail: Two 1W Outdoor Panels + Monitor per floor distribution.**



**Second block: 1 access + Lift Control. Two 1W Outdoor Panels + Monitor per floor distribution.**

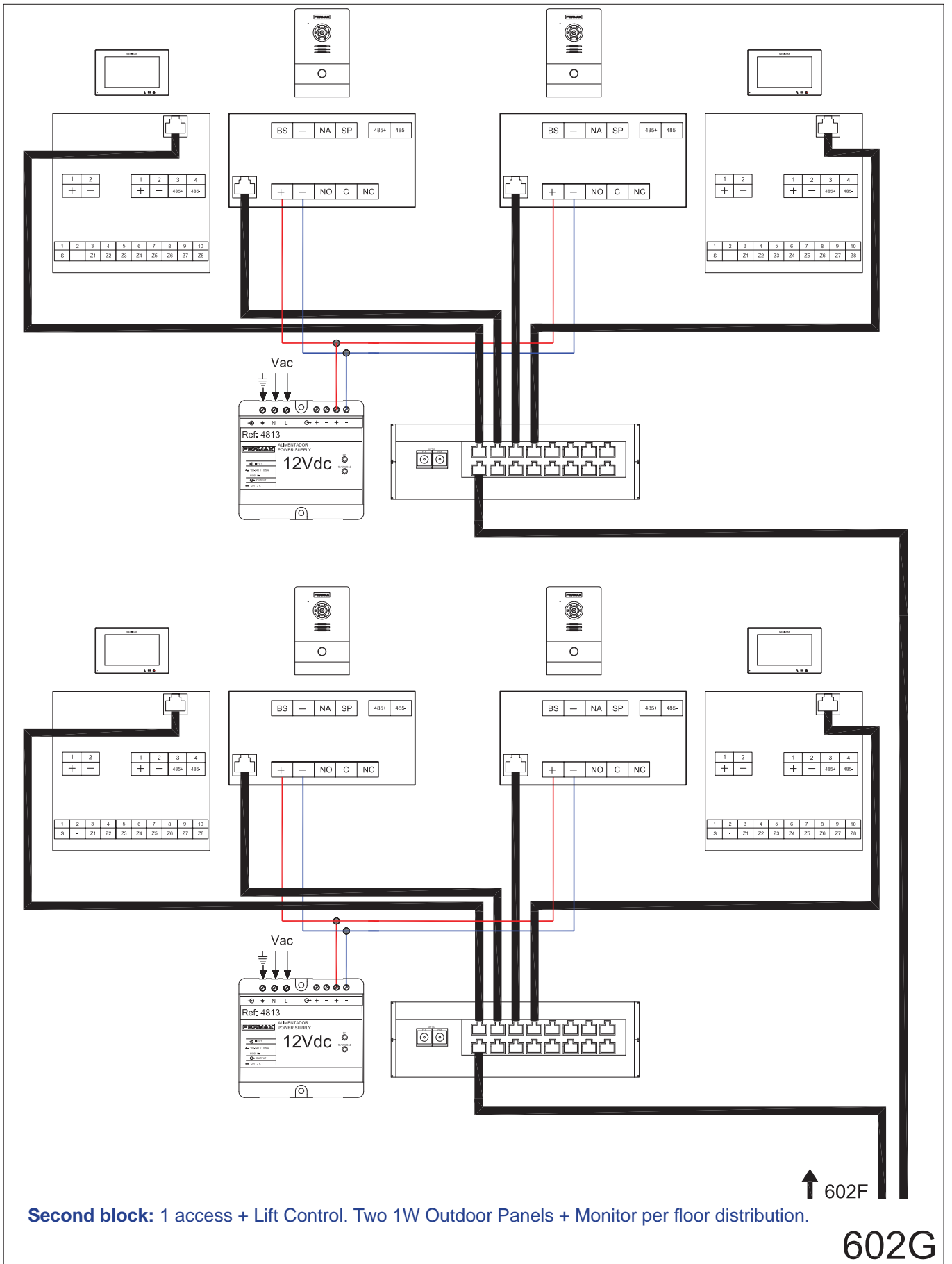
602F



**600:** 2 GENERAL ENTRANCE Outdoor panels + Guard Unit. 2 INTERNAL BLOCKS with 1 Outdoor Panel + Lift Control for each block. Two 1W Outdoor Panels + Monitor per floor distribution.

**602:** All PoE Devices (Panels & Monitors)

602G - WIRING DIAGRAM. Connection detail: Two 1W Outdoor Panels + Monitor per floor distribution.



**Second block:** 1 access + Lift Control. Two 1W Outdoor Panels + Monitor per floor distribution.

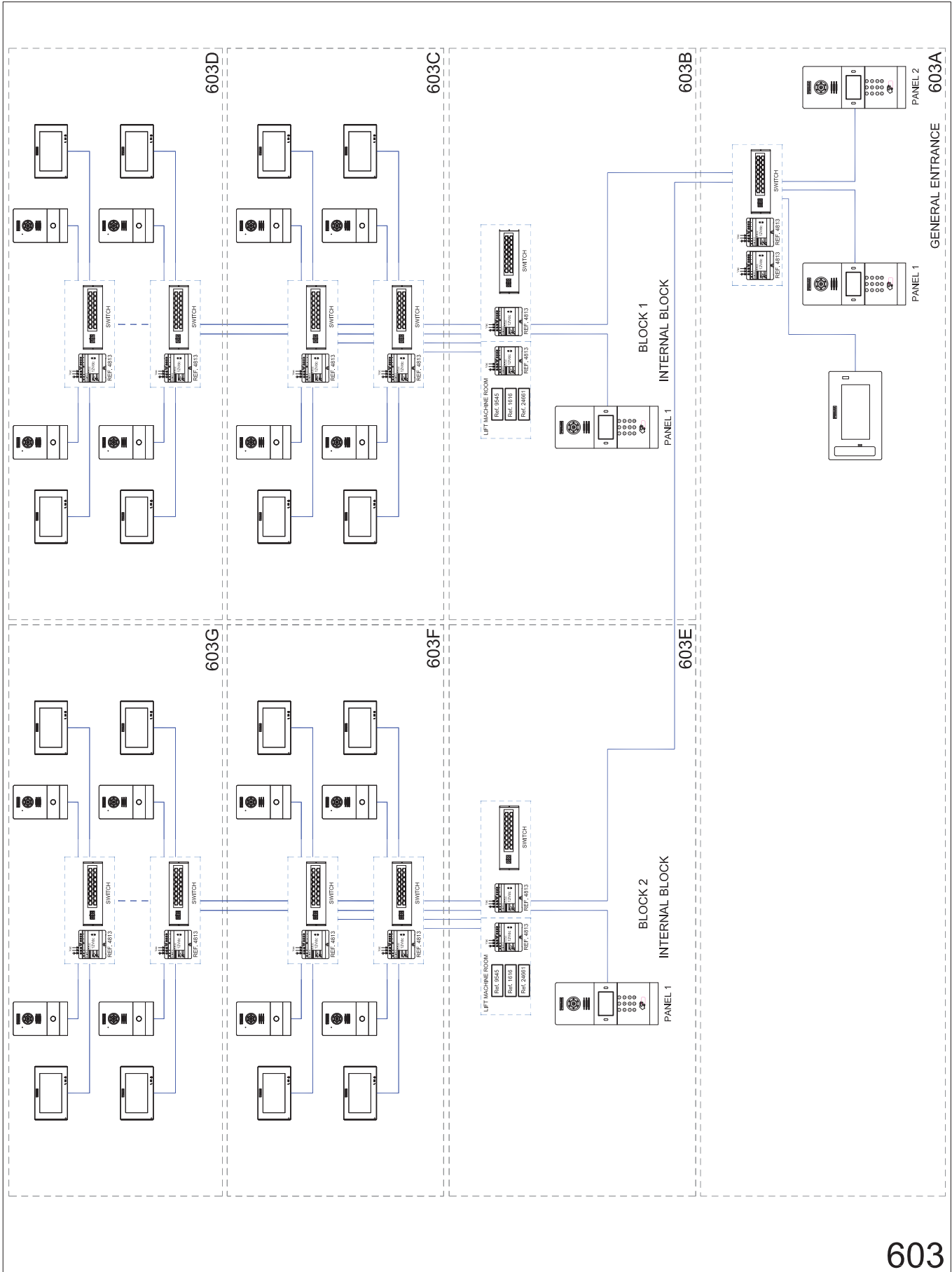
↑ 602F

602G

**600: 2 GENERAL ENTRANCE Outdoor panels + Guard Unit. 2 INTERNAL BLOCKS with 1 Outdoor Panel + Lift Control for each block. Two 1W Outdoor Panels + Monitor per floor distribution.**

**603: Non-PoE Panels – PoE Monitors**

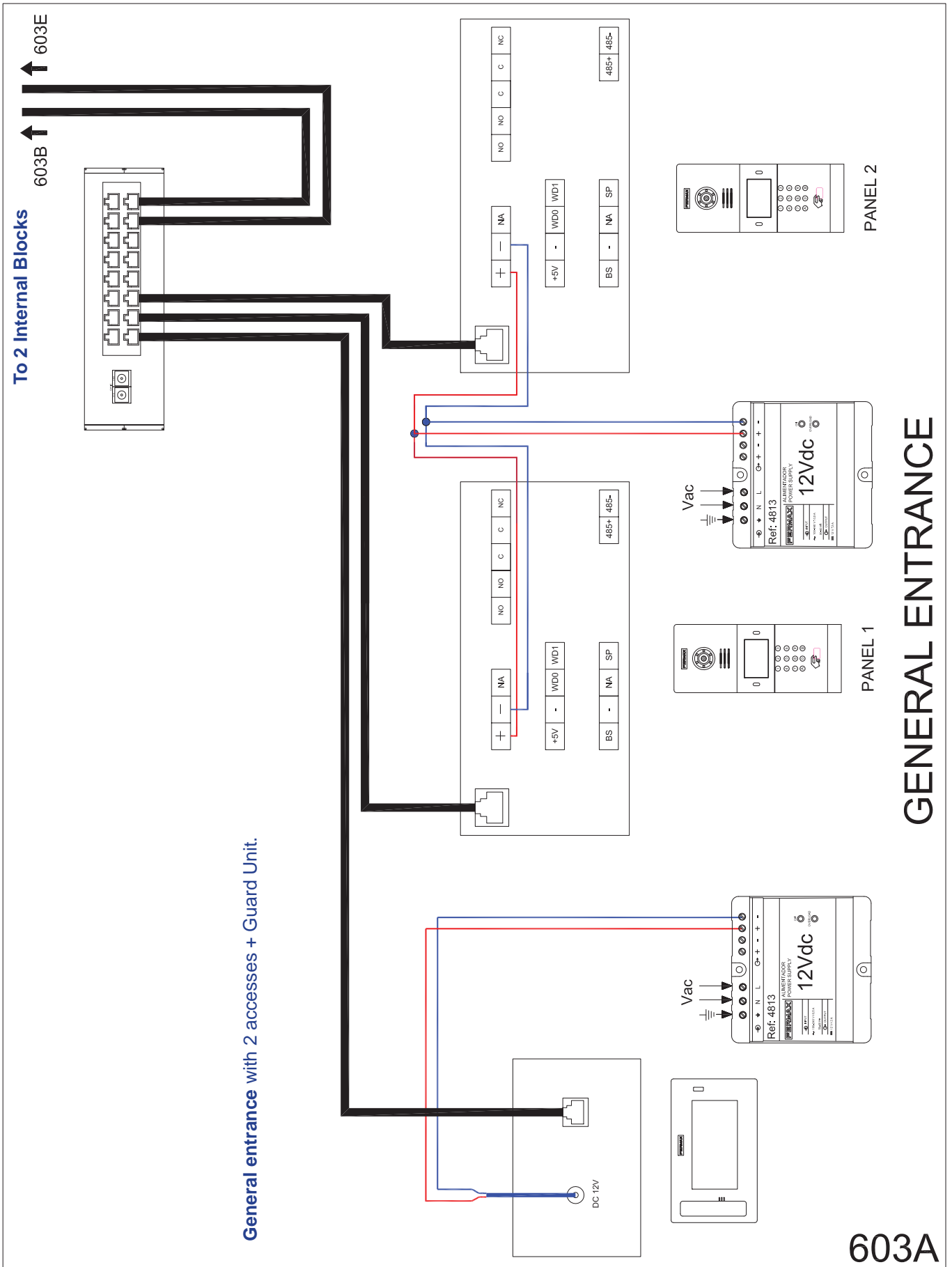
603 - SINGLE-LINE DIAGRAM.



**600:** 2 GENERAL ENTRANCE Outdoor panels + Guard Unit. 2 INTERNAL BLOCKS with 1 Outdoor Panel + Lift Control for each block. Two 1W Outdoor Panels + Monitor per floor distribution.

**603: Non-PoE Panels – PoE Monitors**

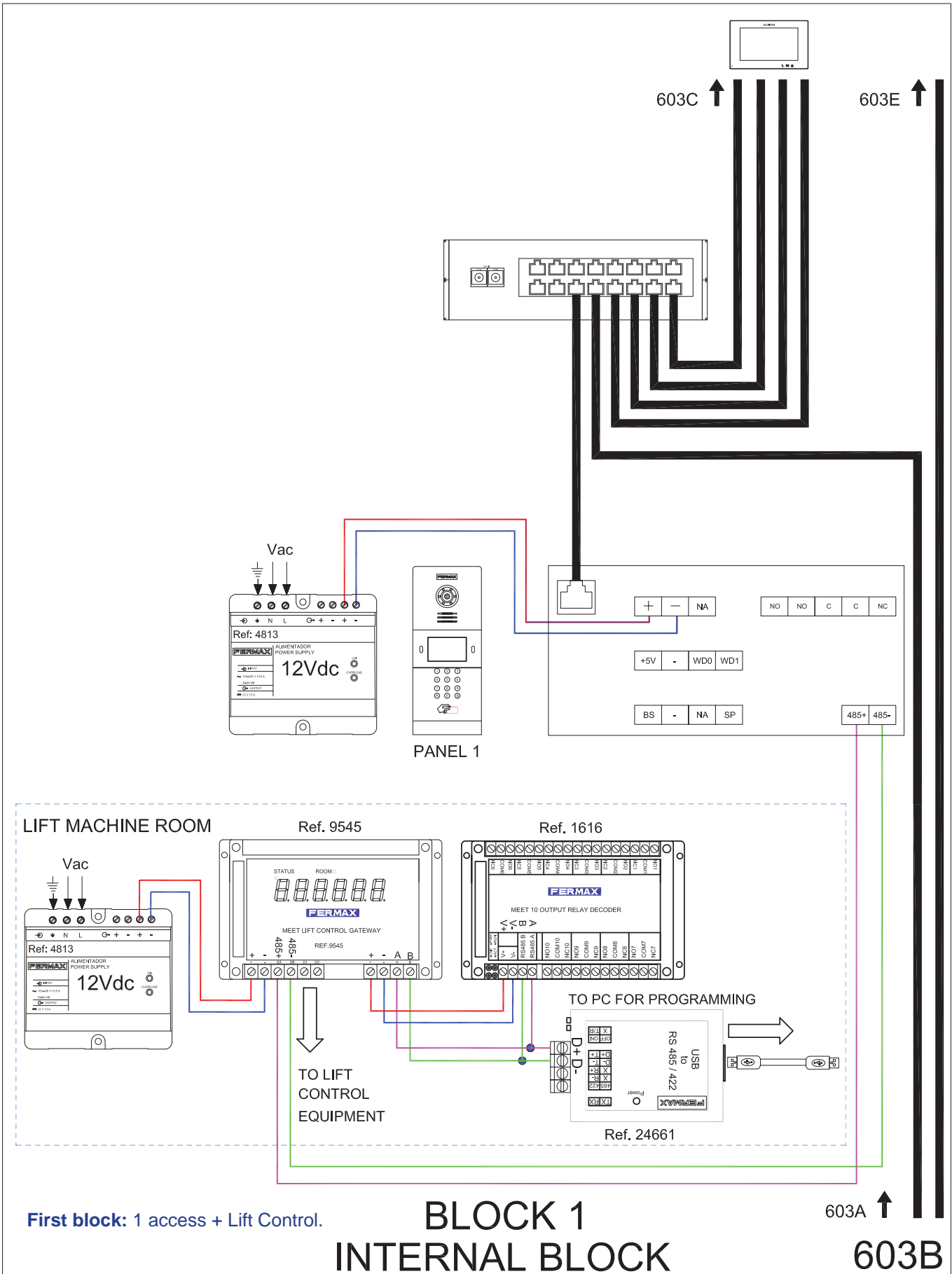
603A - WIRING DIAGRAM. Connection detail: 2 General video accesses + Guard Unit to 2 internal blocks



**600:** 2 GENERAL ENTRANCE Outdoor panels + Guard Unit. 2 INTERNAL BLOCKS with 1 Outdoor Panel + Lift Control for each block. Two 1W Outdoor Panels + Monitor per floor distribution.

**603: Non-PoE Panels – PoE Monitors**

603B - WIRING DIAGRAM. Connection detail: First block: 1 video access + Lift Control.



First block: 1 access + Lift Control.

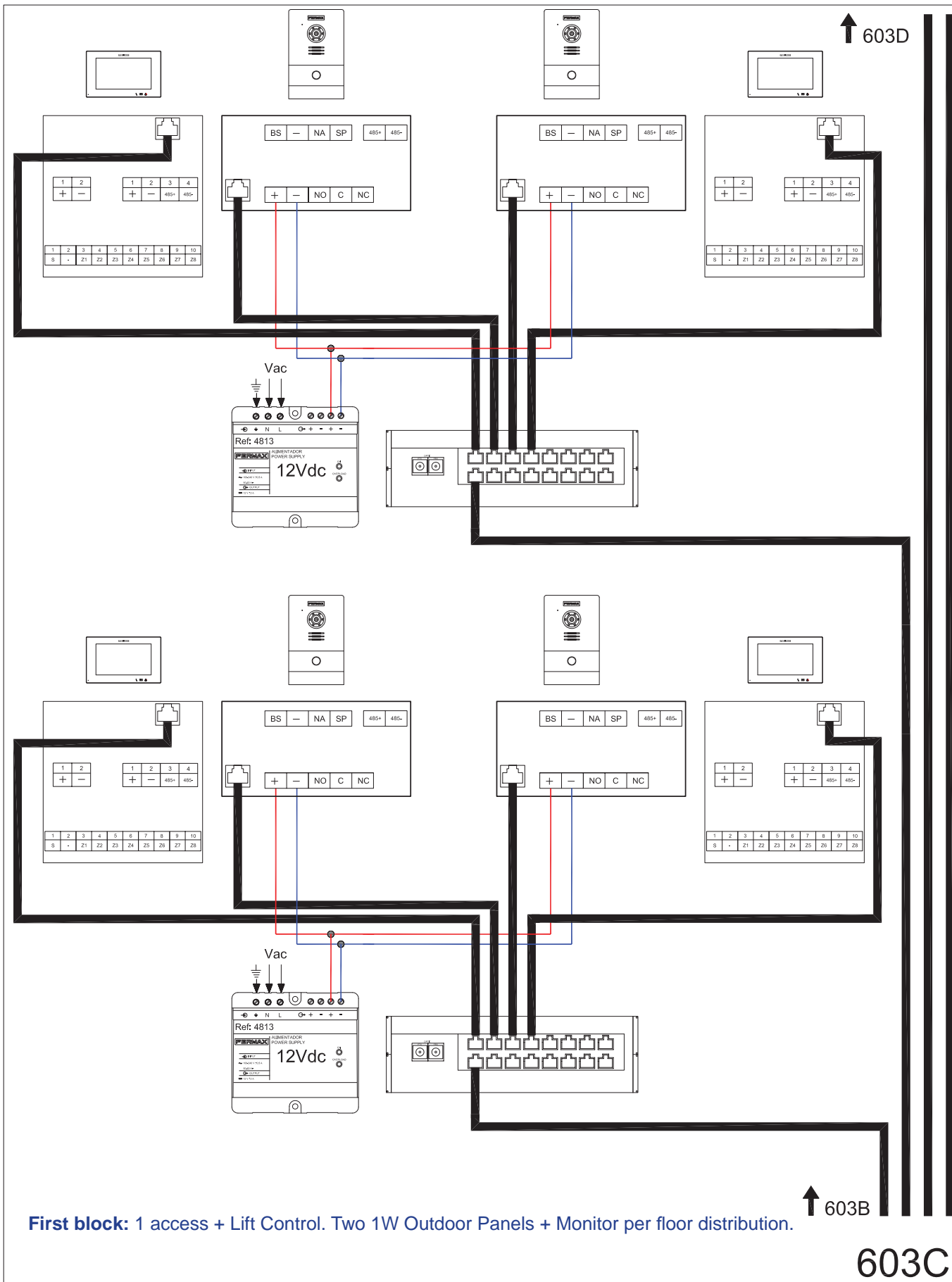
**BLOCK 1  
INTERNAL BLOCK**

603A ↑  
603B

**600:** 2 GENERAL ENTRANCE Outdoor panels + Guard Unit. 2 INTERNAL BLOCKS with 1 Outdoor Panel + Lift Control for each block. Two 1W Outdoor Panels + Monitor per floor distribution.

**603: Non-PoE Panels – PoE Monitors**

603C - WIRING DIAGRAM. Connection detail: Two 1W Outdoor Panels + Monitor per floor distribution.



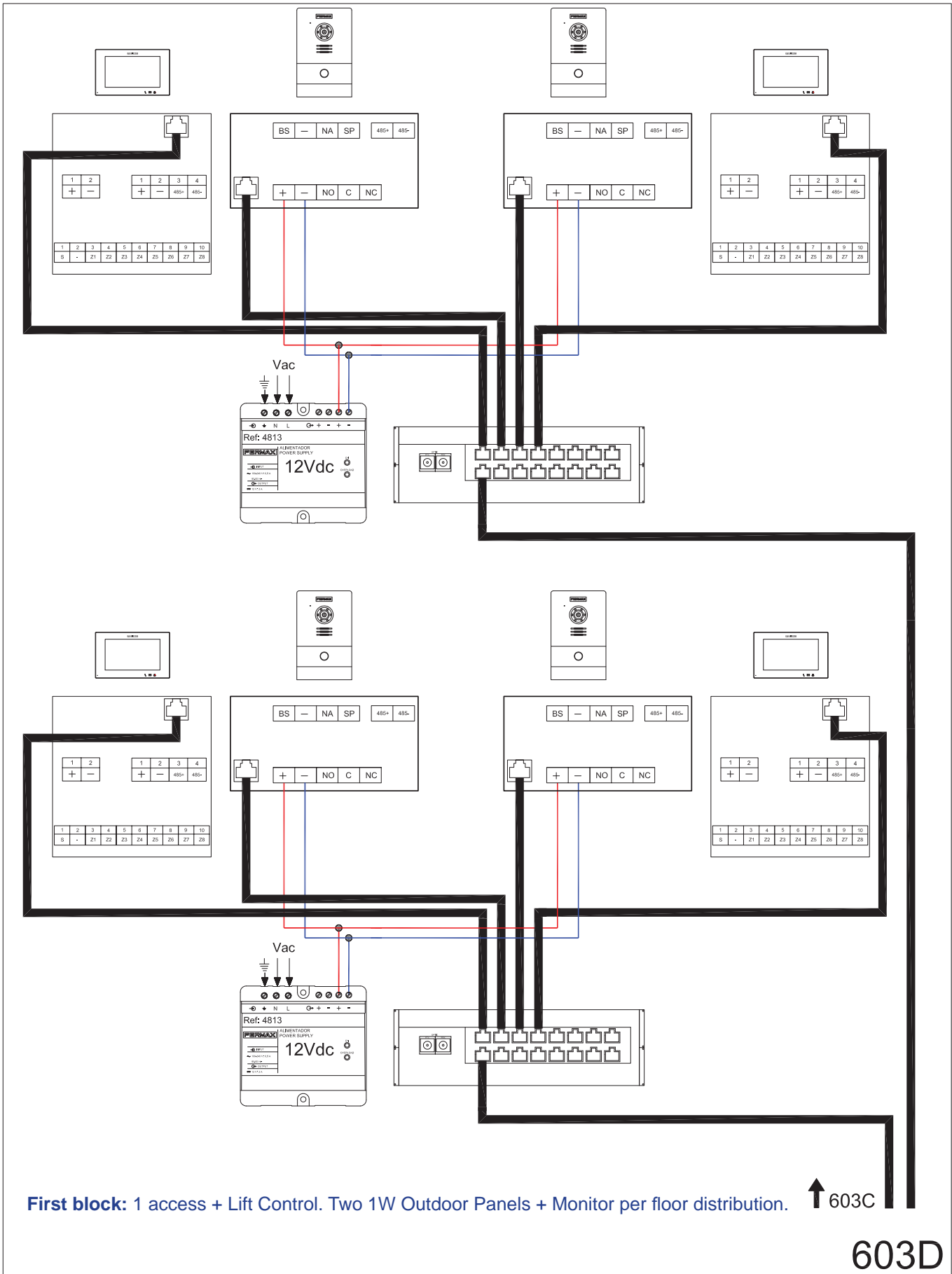
**First block:** 1 access + Lift Control. Two 1W Outdoor Panels + Monitor per floor distribution.

603C

**600: 2 GENERAL ENTRANCE Outdoor panels + Guard Unit. 2 INTERNAL BLOCKS with 1 Outdoor Panel + Lift Control for each block. Two 1W Outdoor Panels + Monitor per floor distribution.**

**603: Non-PoE Panels – PoE Monitors**

603D - WIRING DIAGRAM. Connection detail: Two 1W Outdoor Panels + Monitor per floor distribution.



**First block: 1 access + Lift Control. Two 1W Outdoor Panels + Monitor per floor distribution.**

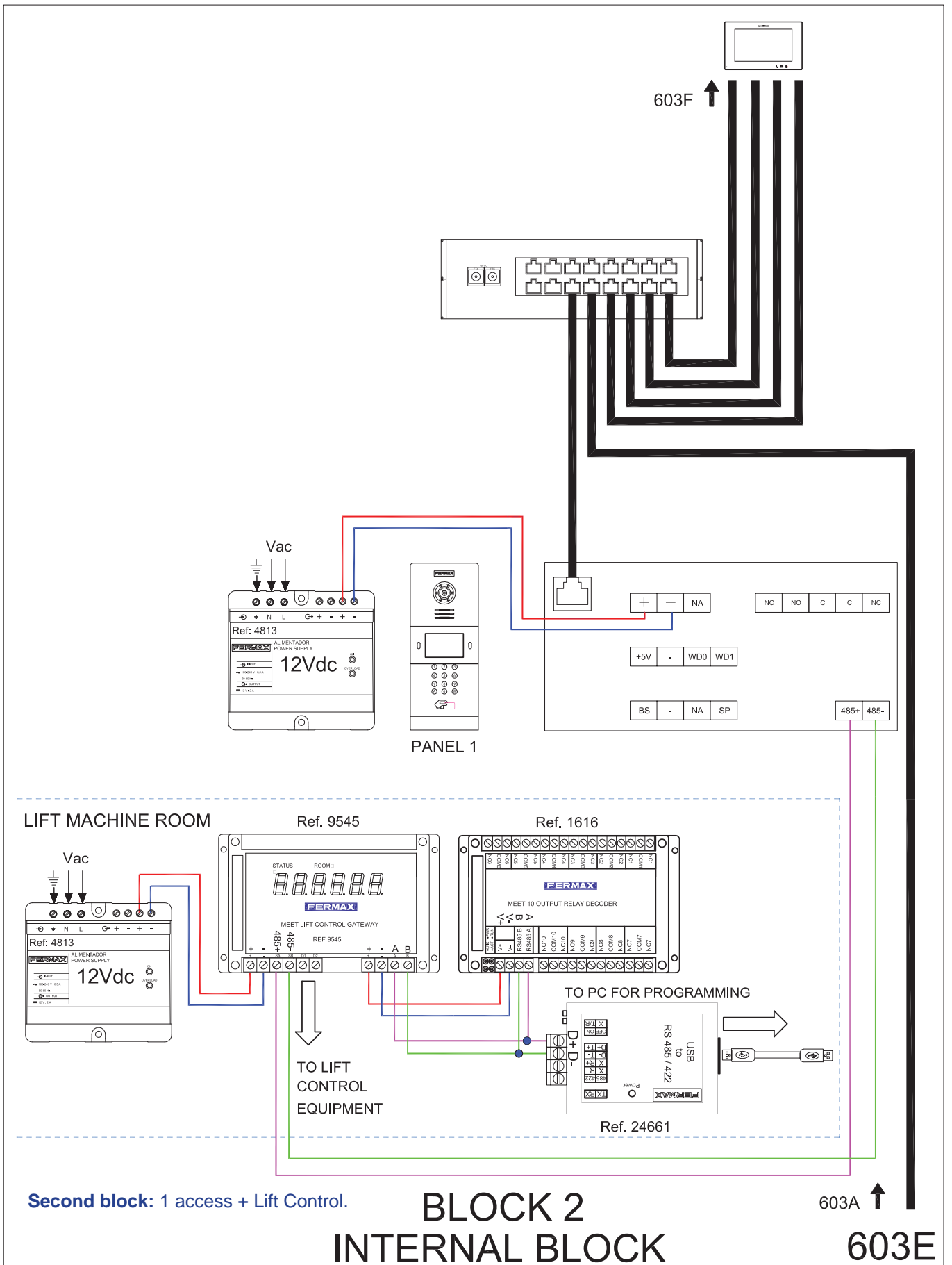
↑ 603C

603D

**600: 2 GENERAL ENTRANCE** Outdoor panels + Guard Unit. **2 INTERNAL BLOCKS** with 1 Outdoor Panel + Lift Control for each block. Two 1W Outdoor Panels + Monitor per floor distribution.

**603: Non-PoE Panels – PoE Monitors**

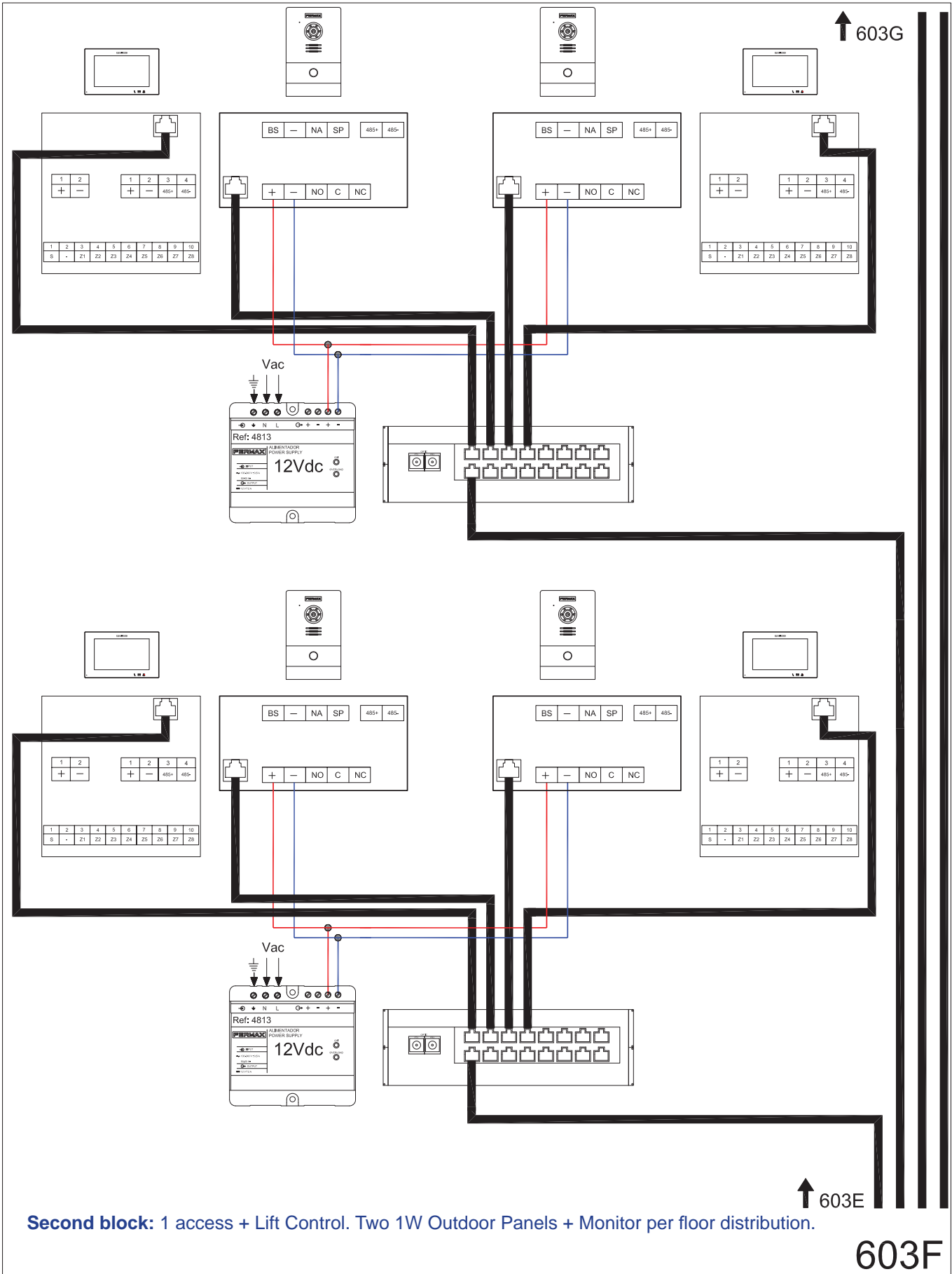
603E - WIRING DIAGRAM. Connection detail: Second block: 1 video access + Lift Control.



600: 2 GENERAL ENTRANCE Outdoor panels + Guard Unit. 2 INTERNAL BLOCKS with 1 Outdoor Panel + Lift Control for each block. Two 1W Outdoor Panels + Monitor per floor distribution.

603: Non-PoE Panels – PoE Monitors

603F - WIRING DIAGRAM. Connection detail: Two 1W Outdoor Panels + Monitor per floor distribution.



Second block: 1 access + Lift Control. Two 1W Outdoor Panels + Monitor per floor distribution.

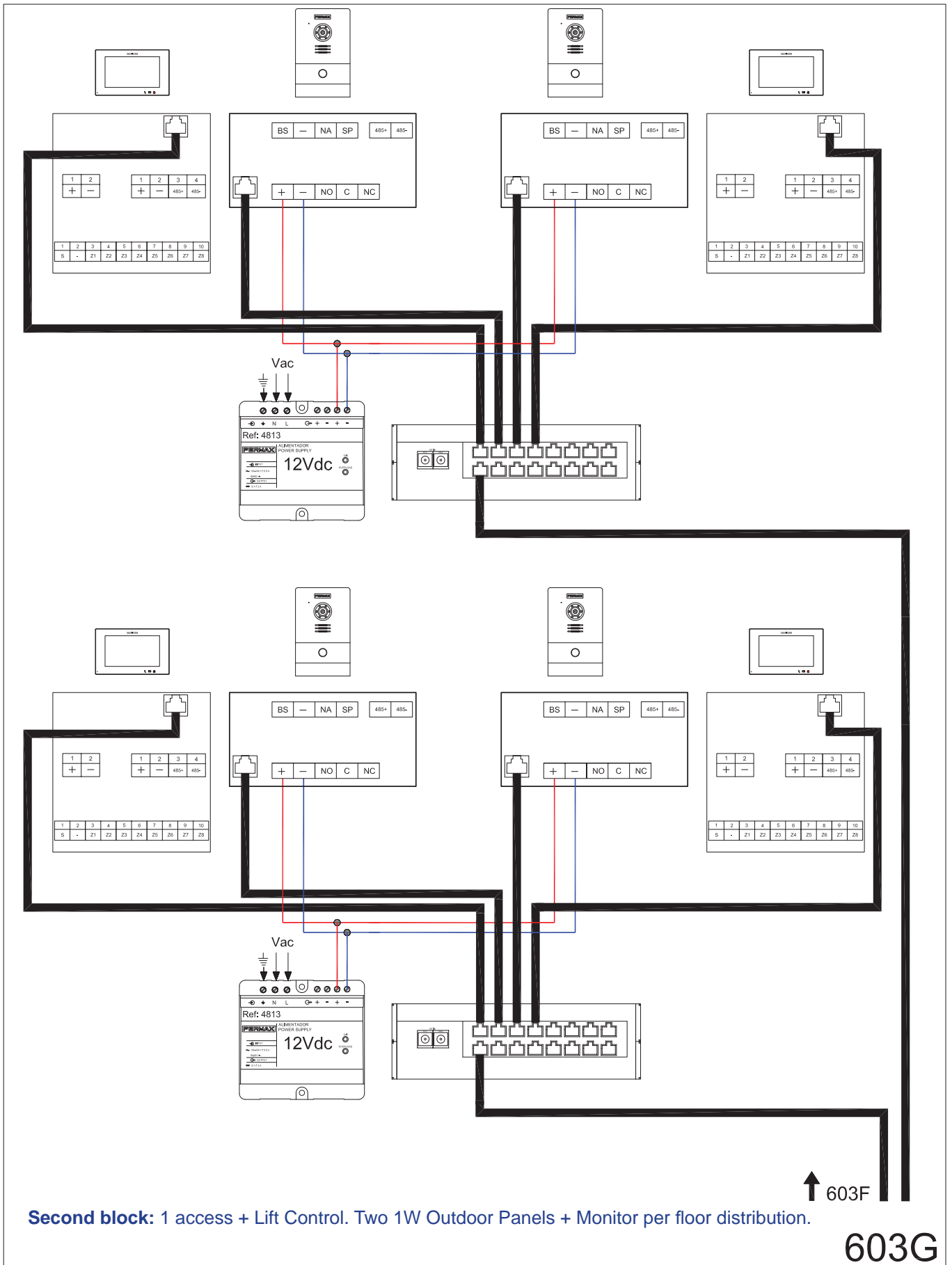
603F



**600: 2 GENERAL ENTRANCE Outdoor panels + Guard Unit. 2 INTERNAL BLOCKS with 1 Outdoor Panel + Lift Control for each block. Two 1W Outdoor Panels + Monitor per floor distribution.**

**603: Non-PoE Panels – PoE Monitors**

603G - WIRING DIAGRAM. Connection detail: Two 1W Outdoor Panels + Monitor per floor distribution.



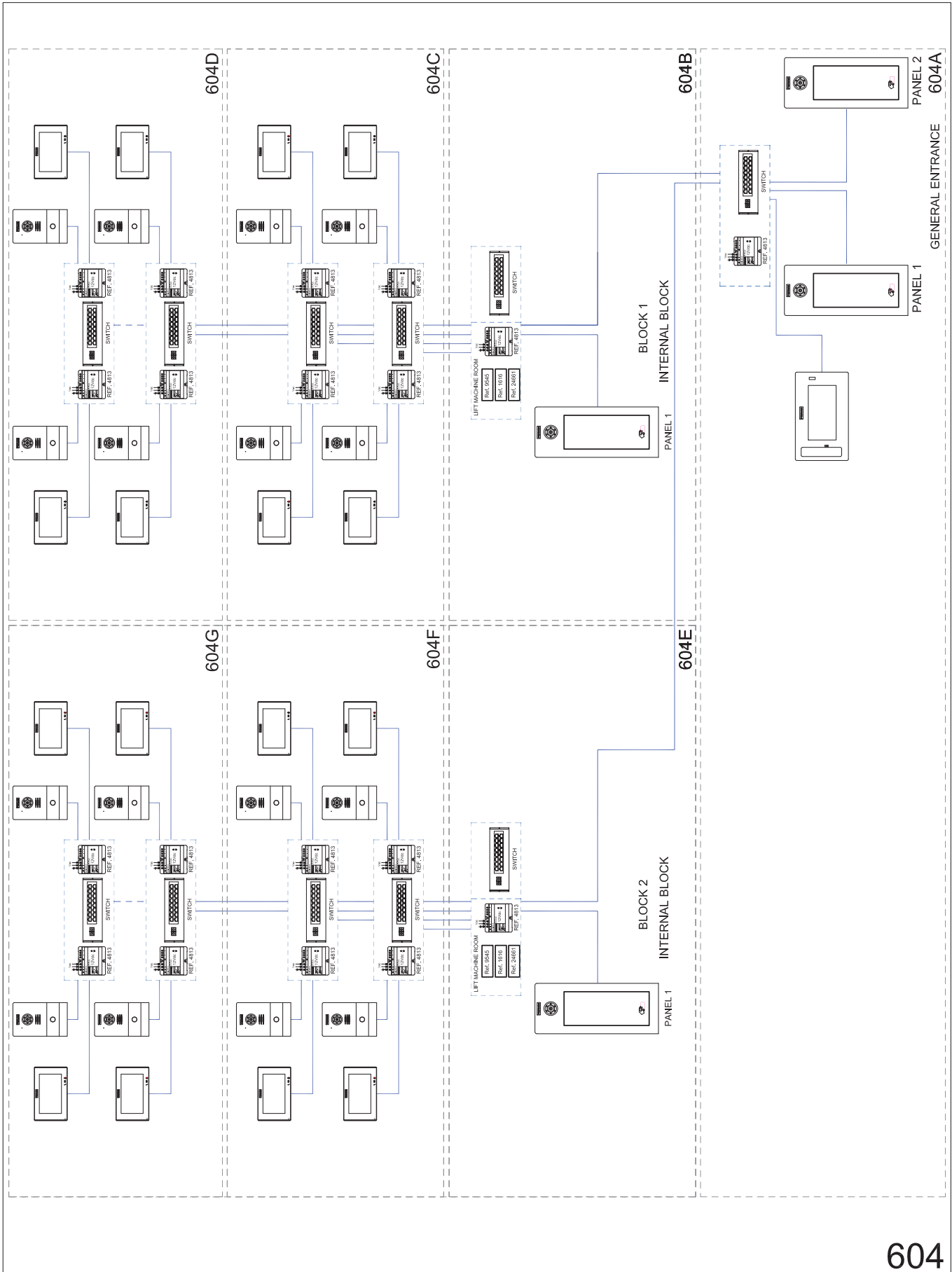
**Second block: 1 access + Lift Control. Two 1W Outdoor Panels + Monitor per floor distribution.**

603G

600: 2 GENERAL ENTRANCE Outdoor panels + Guard Unit. 2 INTERNAL BLOCKS with 1 Outdoor Panel + Lift Control for each block. Two 1W Outdoor Panels + Monitor per floor distribution.

604: PoE Panels – Non PoE Monitors

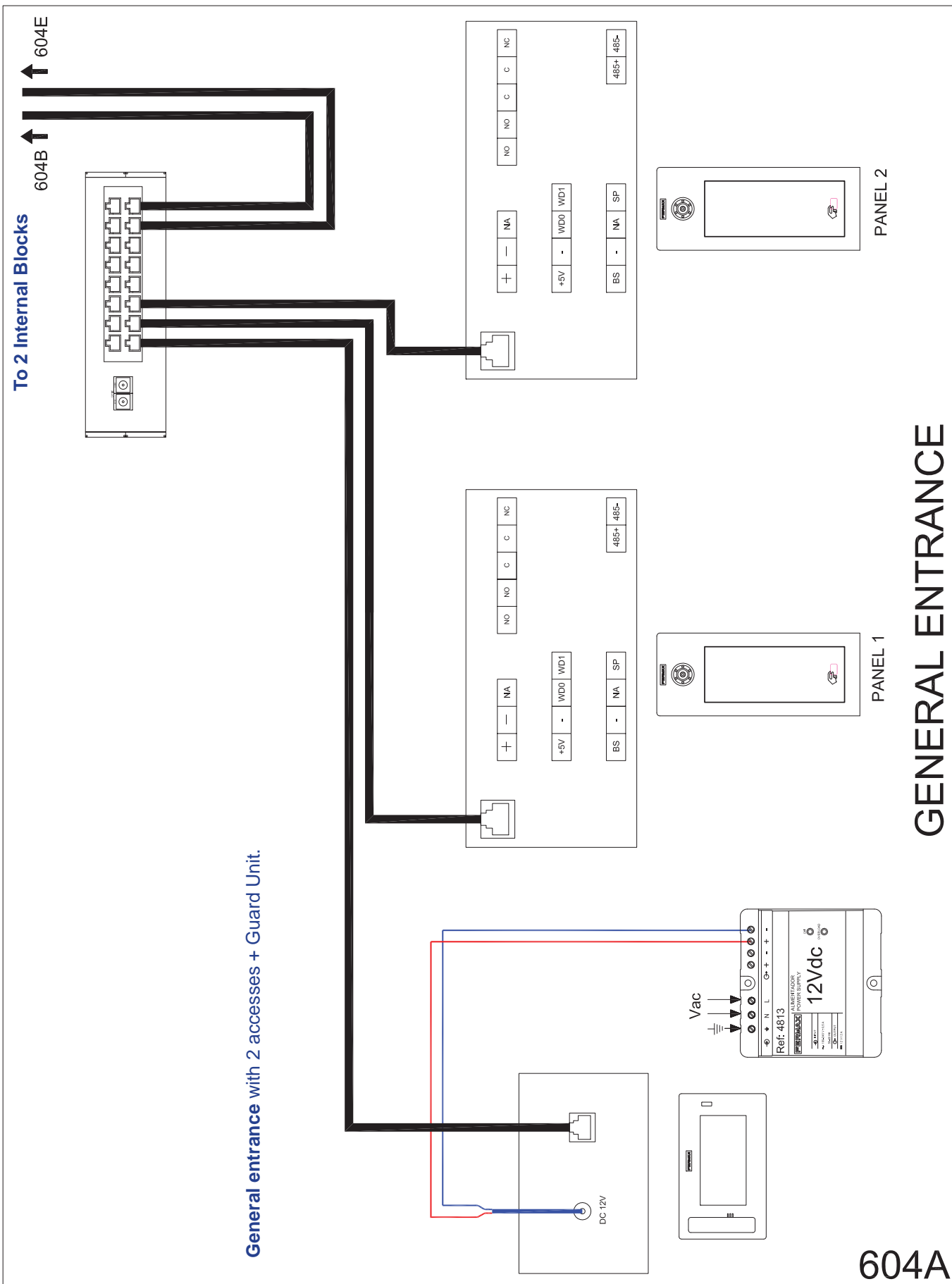
604 - SINGLE-LINE DIAGRAM.



**600:** 2 GENERAL ENTRANCE Outdoor panels + Guard Unit. 2 INTERNAL BLOCKS with 1 Outdoor Panel + Lift Control for each block. Two 1W Outdoor Panels + Monitor per floor distribution.

**604: PoE Panels – Non PoE Monitors**

604A - WIRING DIAGRAM. Connection detail: 2 General video accesses + Guard Unit to 2 internal blocks

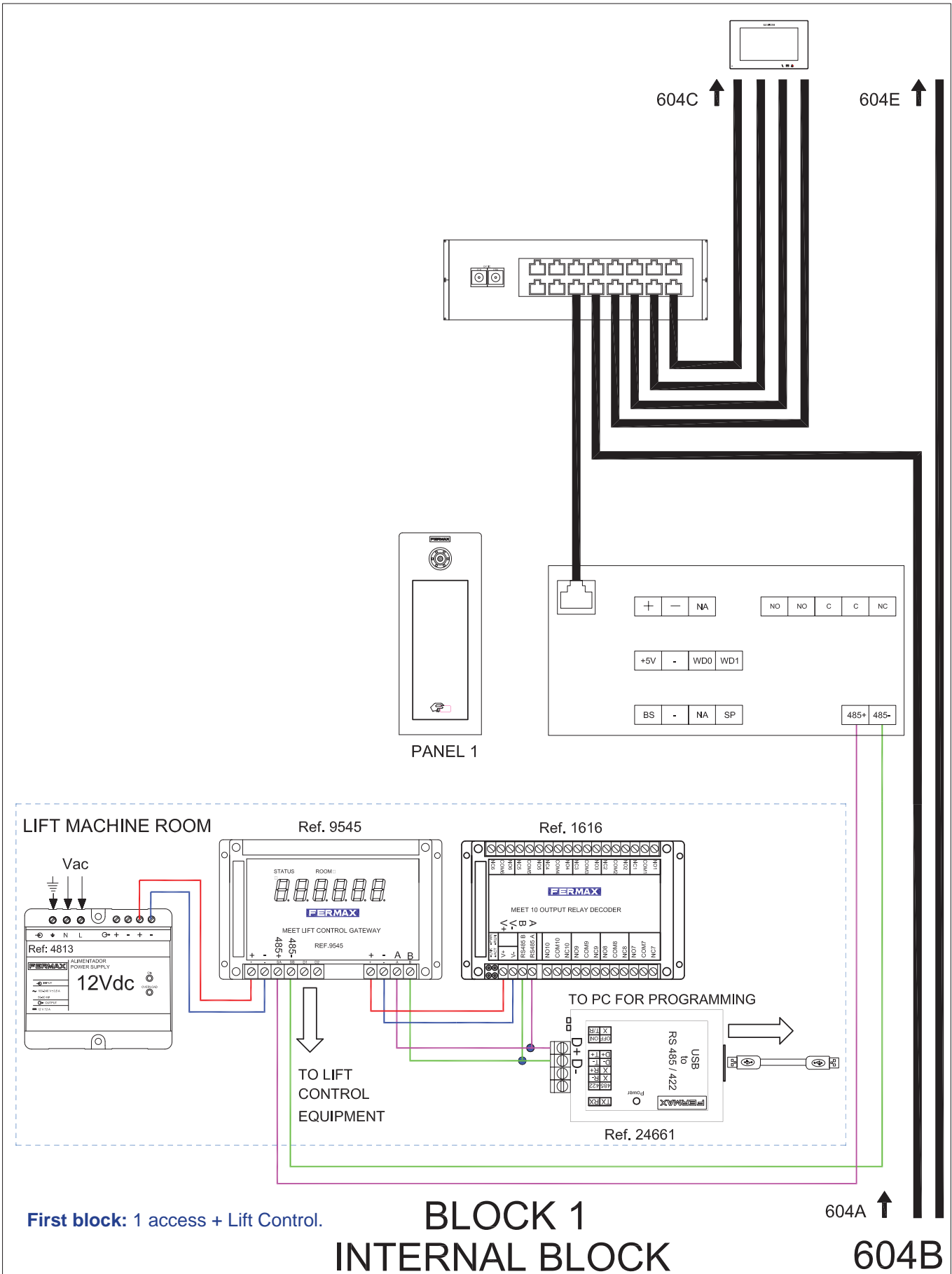


604A

**600:** 2 GENERAL ENTRANCE Outdoor panels + Guard Unit. 2 INTERNAL BLOCKS with 1 Outdoor Panel + Lift Control for each block. Two 1W Outdoor Panels + Monitor per floor distribution.

**604: PoE Panels – Non PoE Monitors**

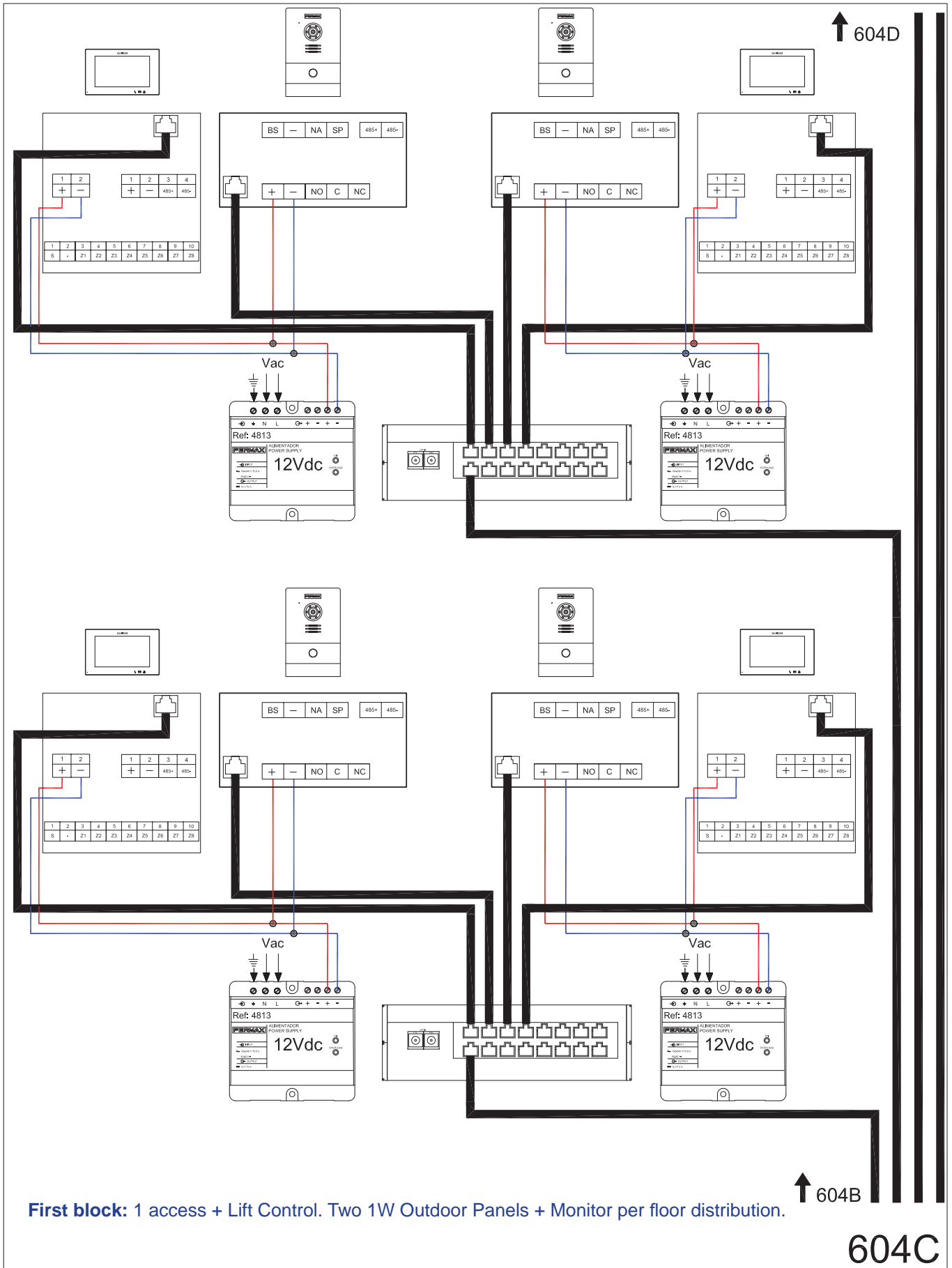
604B - WIRING DIAGRAM. Connection detail: First block: 1 video access + Lift Control.



**600: 2 GENERAL ENTRANCE Outdoor panels + Guard Unit. 2 INTERNAL BLOCKS with 1 Outdoor Panel + Lift Control for each block. Two 1W Outdoor Panels + Monitor per floor distribution.**

**604: PoE Panels – Non PoE Monitors**

604C - WIRING DIAGRAM. Connection detail: Two 1W Outdoor Panels + Monitor per floor distribution.



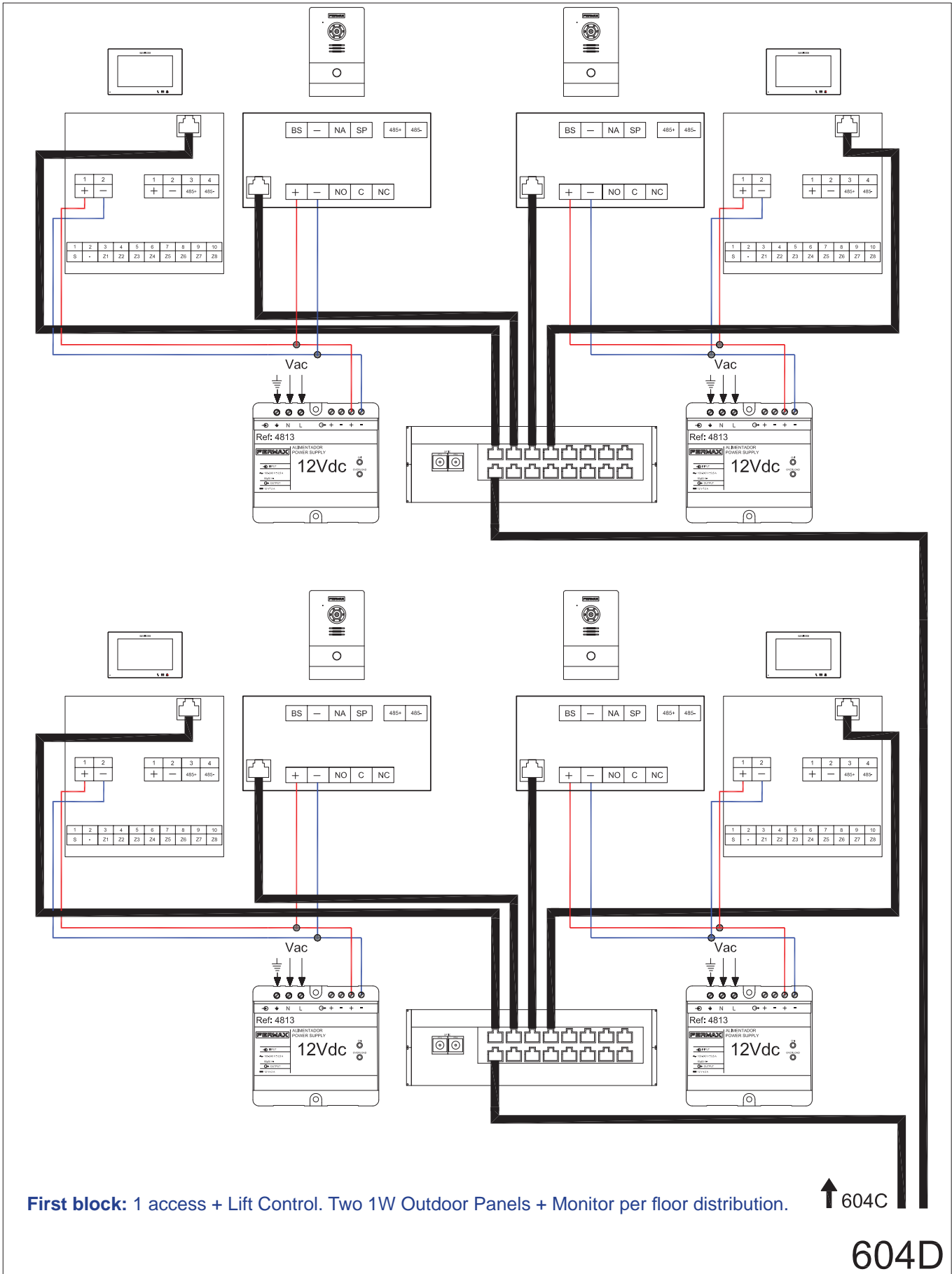
**First block: 1 access + Lift Control. Two 1W Outdoor Panels + Monitor per floor distribution.**

604C

**600: 2 GENERAL ENTRANCE Outdoor panels + Guard Unit. 2 INTERNAL BLOCKS with 1 Outdoor Panel + Lift Control for each block. Two 1W Outdoor Panels + Monitor per floor distribution.**

**604: PoE Panels – Non PoE Monitors**

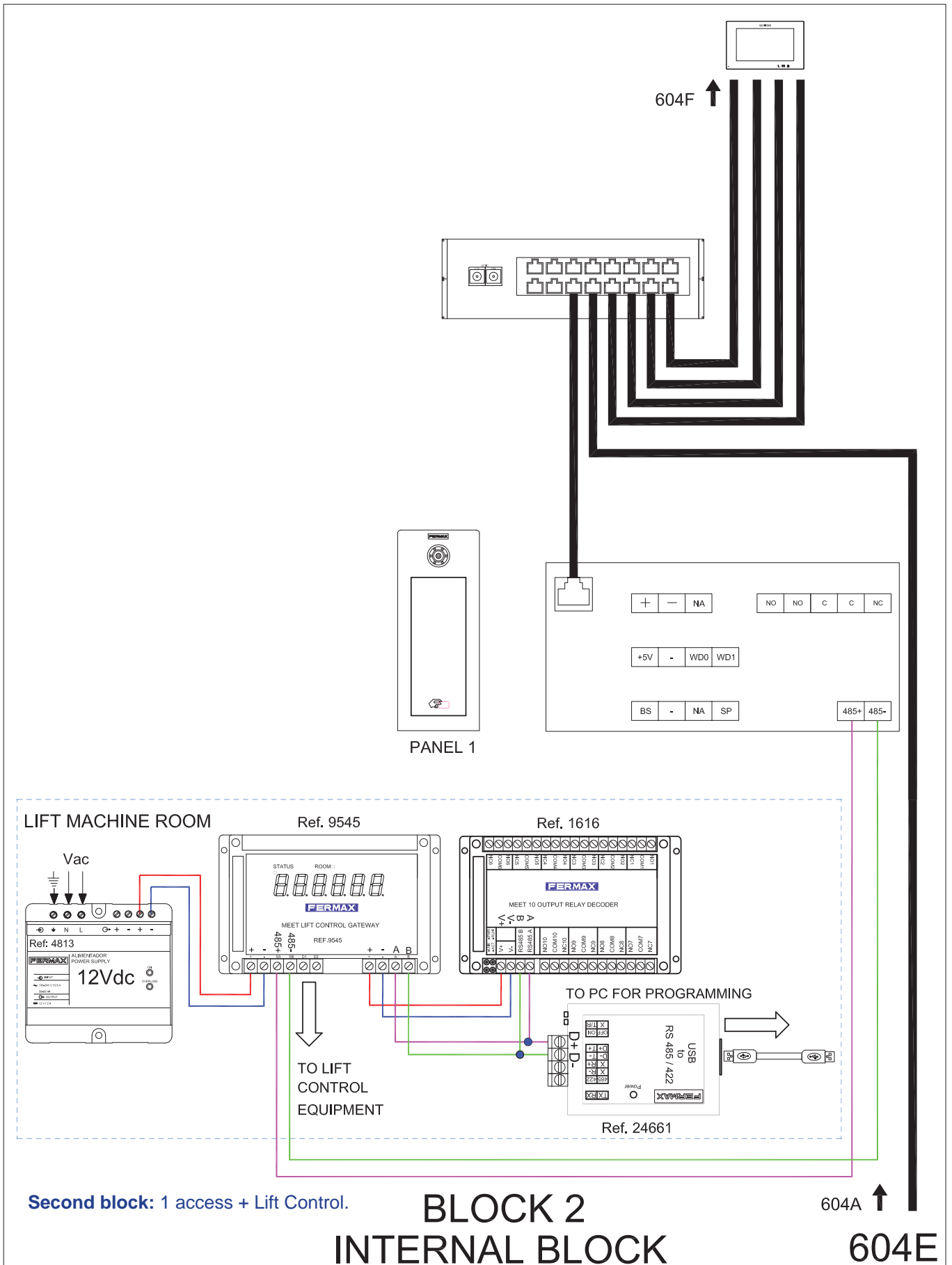
604D - WIRING DIAGRAM. Connection detail: Two 1W Outdoor Panels + Monitor per floor distribution.



**600:** 2 GENERAL ENTRANCE Outdoor panels + Guard Unit. 2 INTERNAL BLOCKS with 1 Outdoor Panel + Lift Control for each block. Two 1W Outdoor Panels + Monitor per floor distribution.

**604: PoE Panels – Non PoE Monitors**

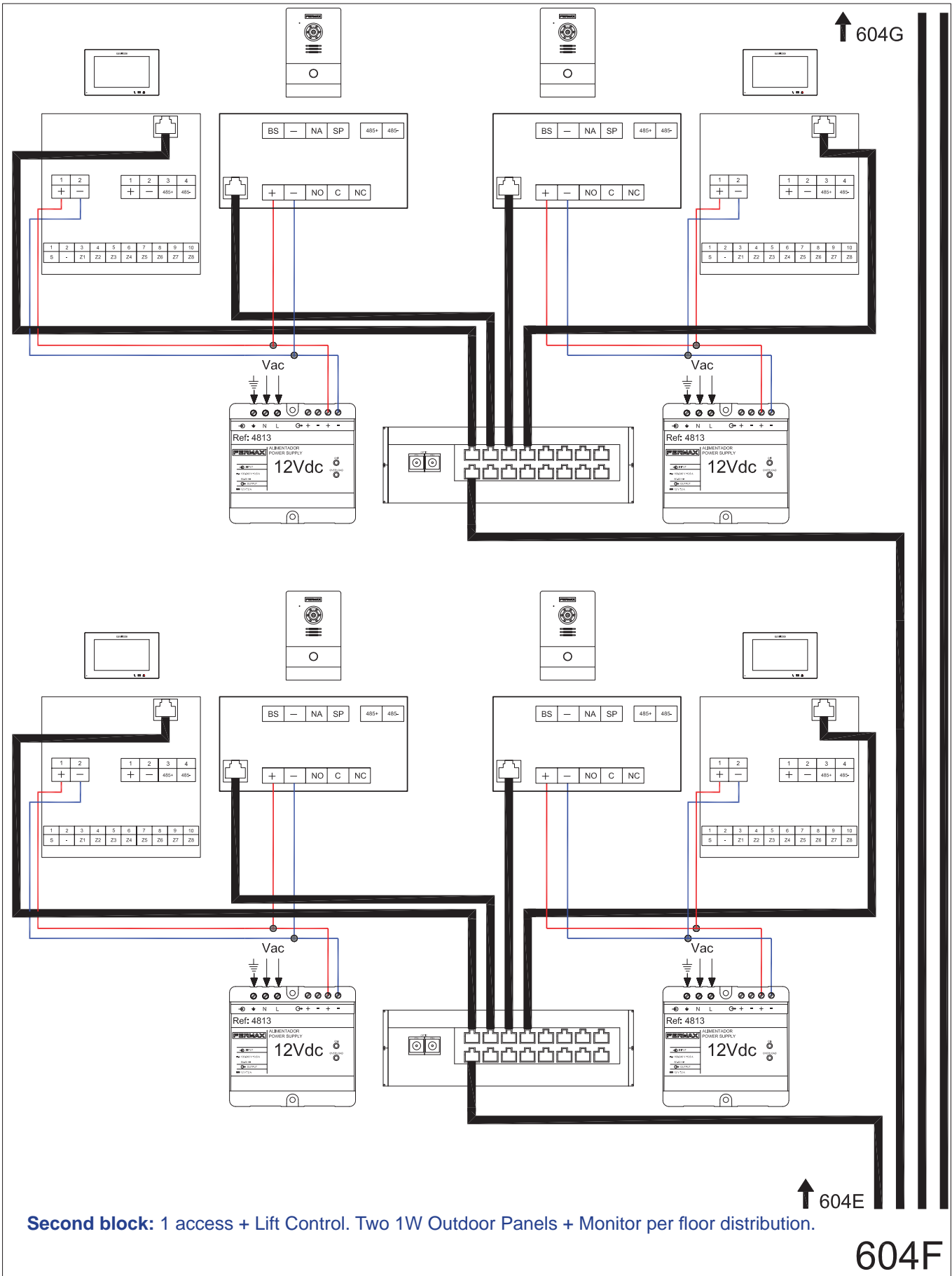
604E - WIRING DIAGRAM. Connection detail: Second block: 1 video access + Lift Control.



**600: 2 GENERAL ENTRANCE Outdoor panels + Guard Unit. 2 INTERNAL BLOCKS with 1 Outdoor Panel + Lift Control for each block. Two 1W Outdoor Panels + Monitor per floor distribution.**

**604: PoE Panels – Non PoE Monitors**

604F - WIRING DIAGRAM. Connection detail: Two 1W Outdoor Panels + Monitor per floor distribution.



**Second block: 1 access + Lift Control. Two 1W Outdoor Panels + Monitor per floor distribution.**

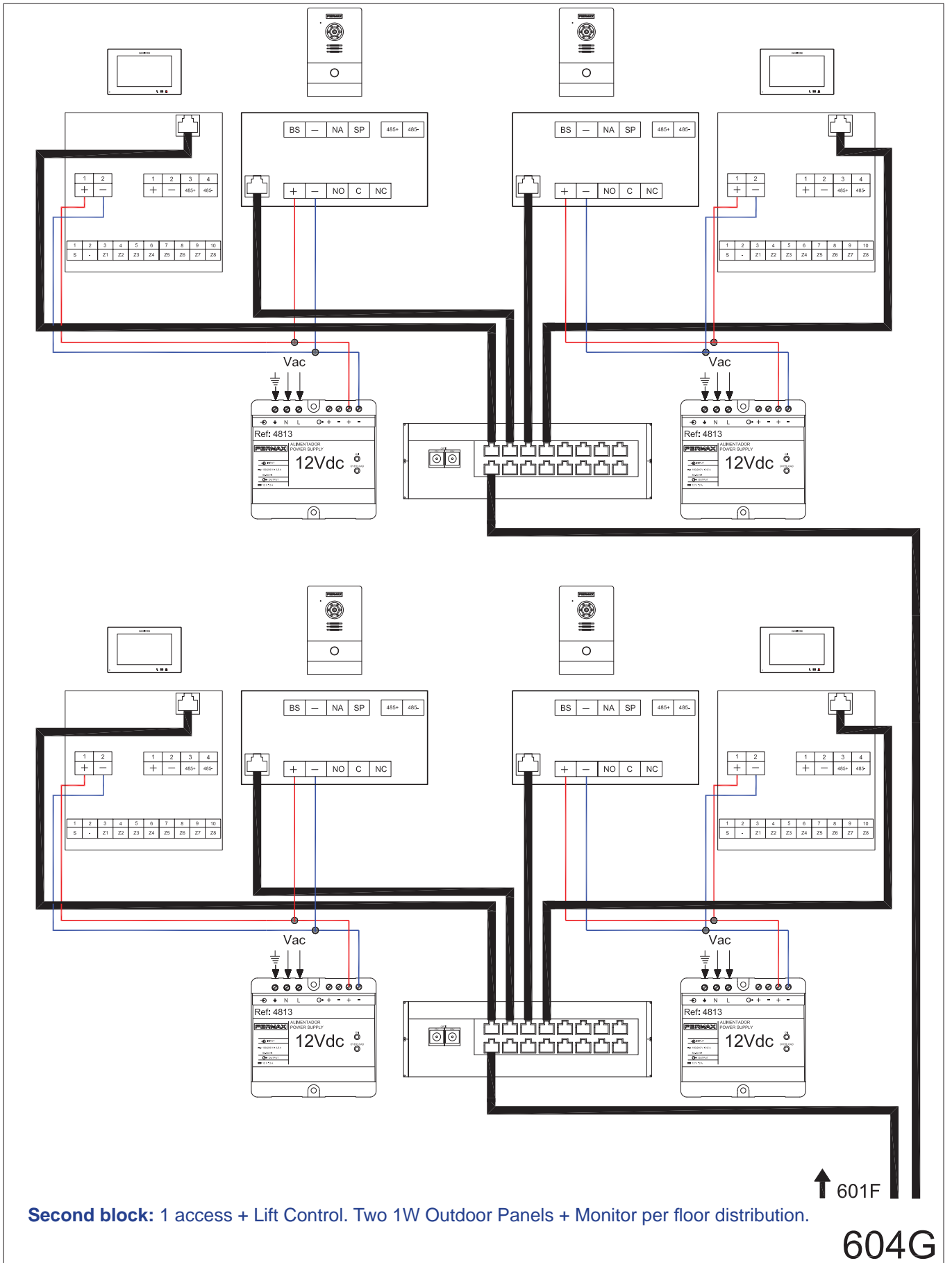
604F



**600: 2 GENERAL ENTRANCE Outdoor panels + Guard Unit. 2 INTERNAL BLOCKS with 1 Outdoor Panel + Lift Control for each block. Two 1W Outdoor Panels + Monitor per floor distribution.**

**604: PoE Panels – Non PoE Monitors**

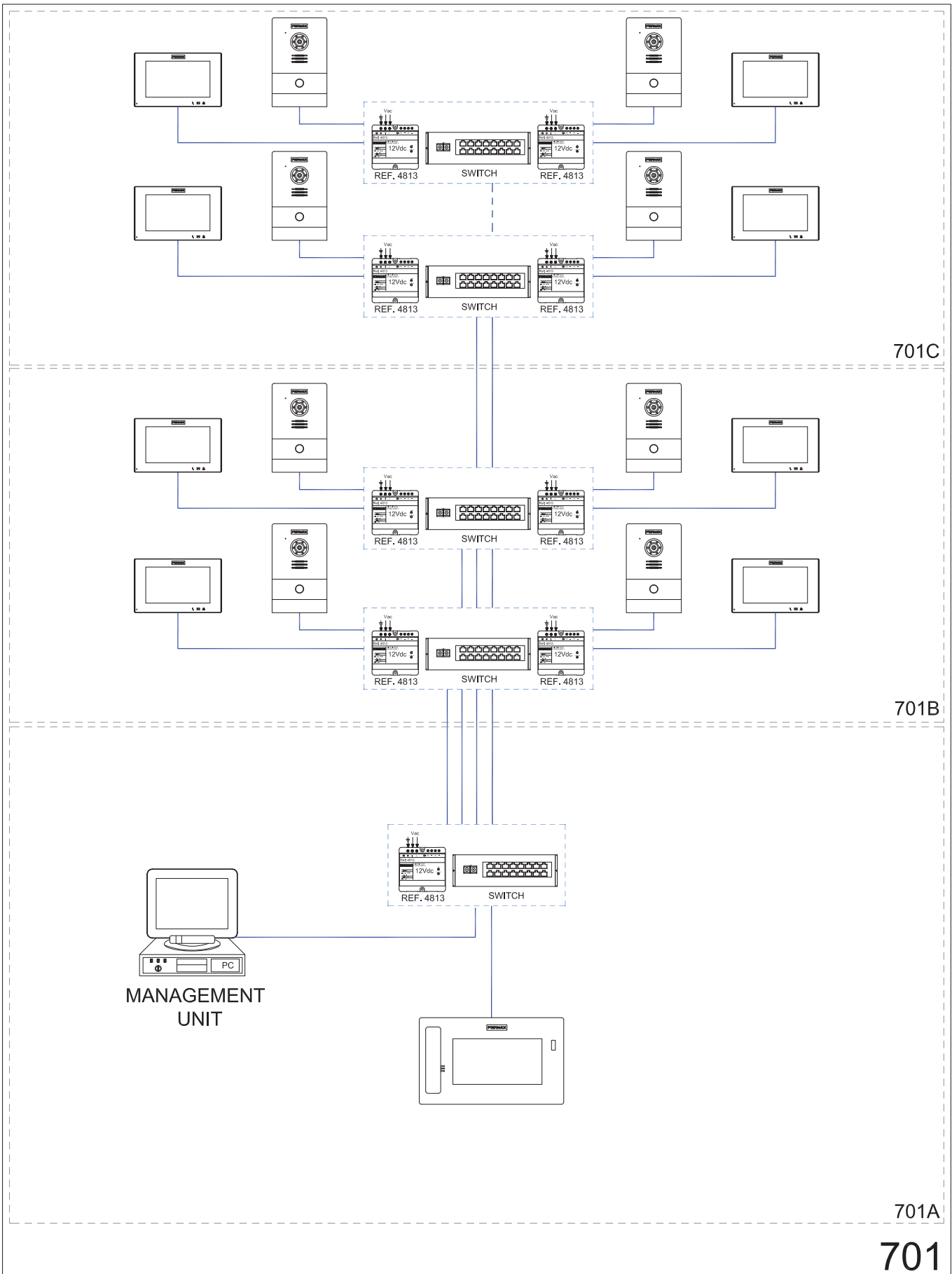
604G - WIRING DIAGRAM. Connection detail: Two 1W Outdoor Panels + Monitor per floor distribution.



700: Guard Unit GENERAL ENTRANCE and PC Management Unit to offices: Two 1W Outdoor Panels + Monitor per floor distribution.

701: Non-PoE Devices (Panels & Monitors).

701 - SINGLE-LINE DIAGRAM.



701C

701B

701A

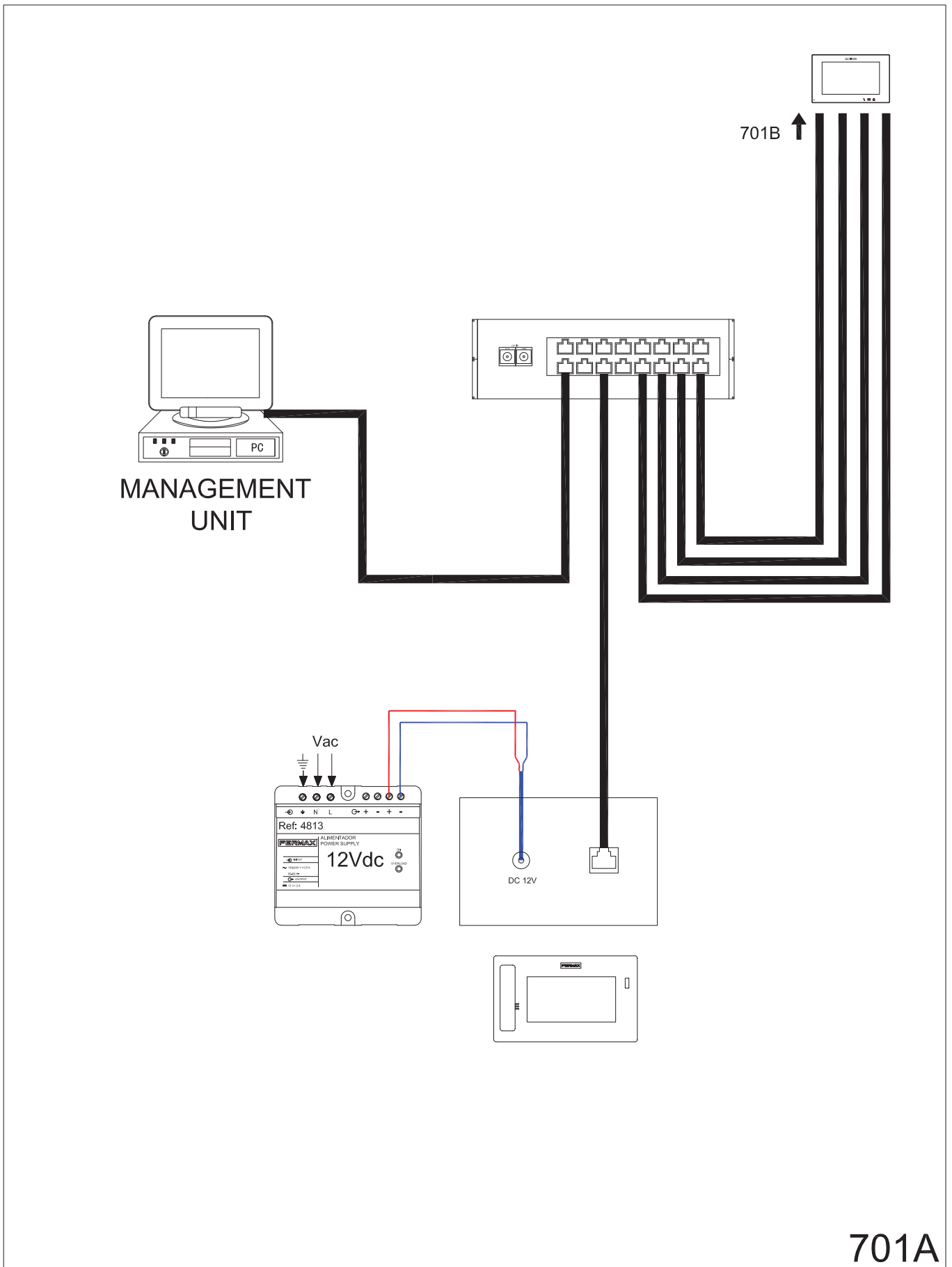
701

MANAGEMENT  
UNIT

700: Guard Unit GENERAL ENTRANCE and PC Management Unit to offices: Two 1W Outdoor Panels + Monitor per floor distribution.

701: Non-PoE Devices (Panels & Monitors).

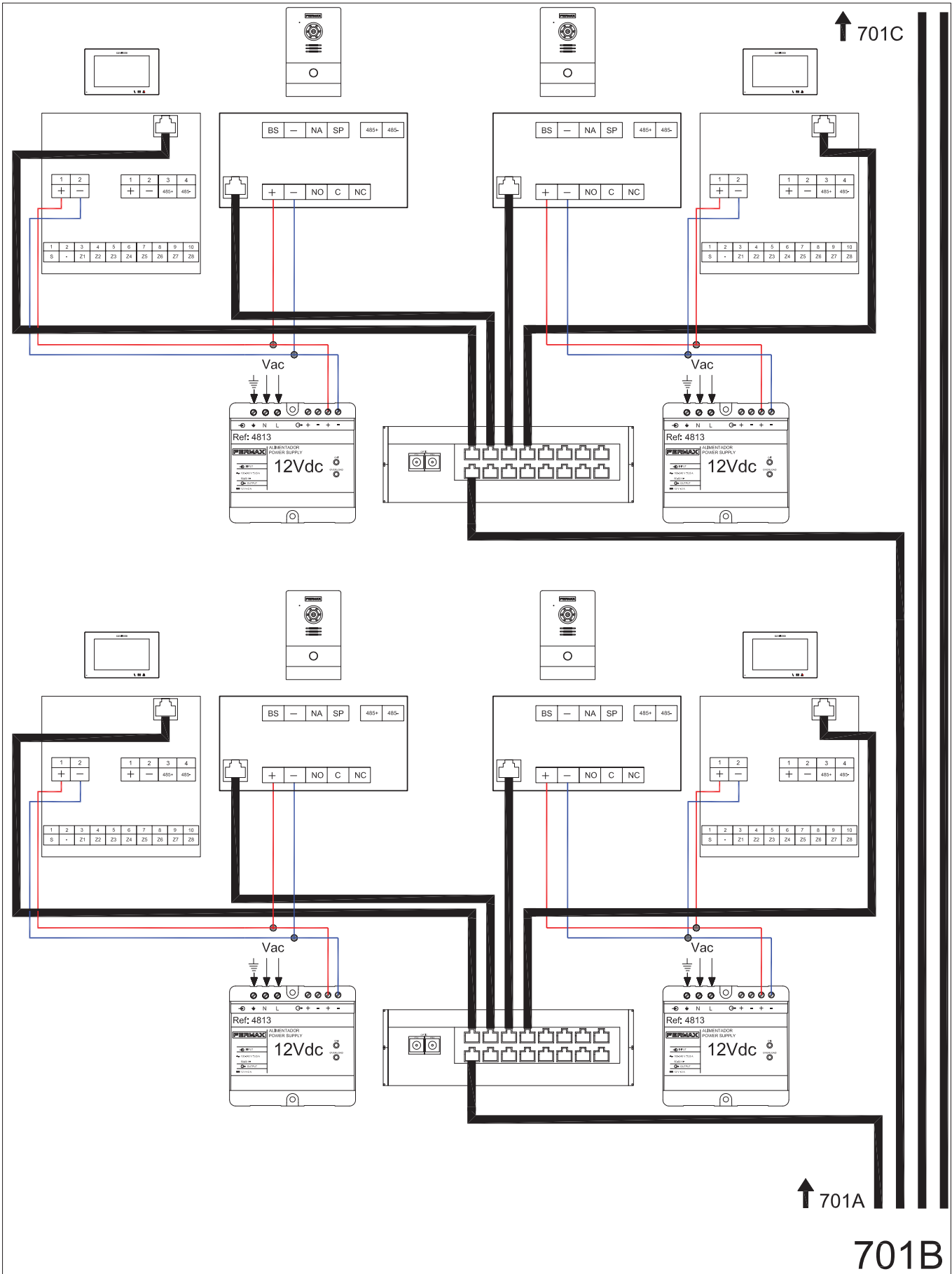
701A - WIRING DIAGRAM. Connection detail: Outdoor panels + PC Management Unit.



**700: Guard Unit GENERAL ENTRANCE and PC Management Unit to offices: Two 1W Outdoor Panels + Monitor per floor distribution.**

**701: Non-PoE Devices (Panels & Monitors)**

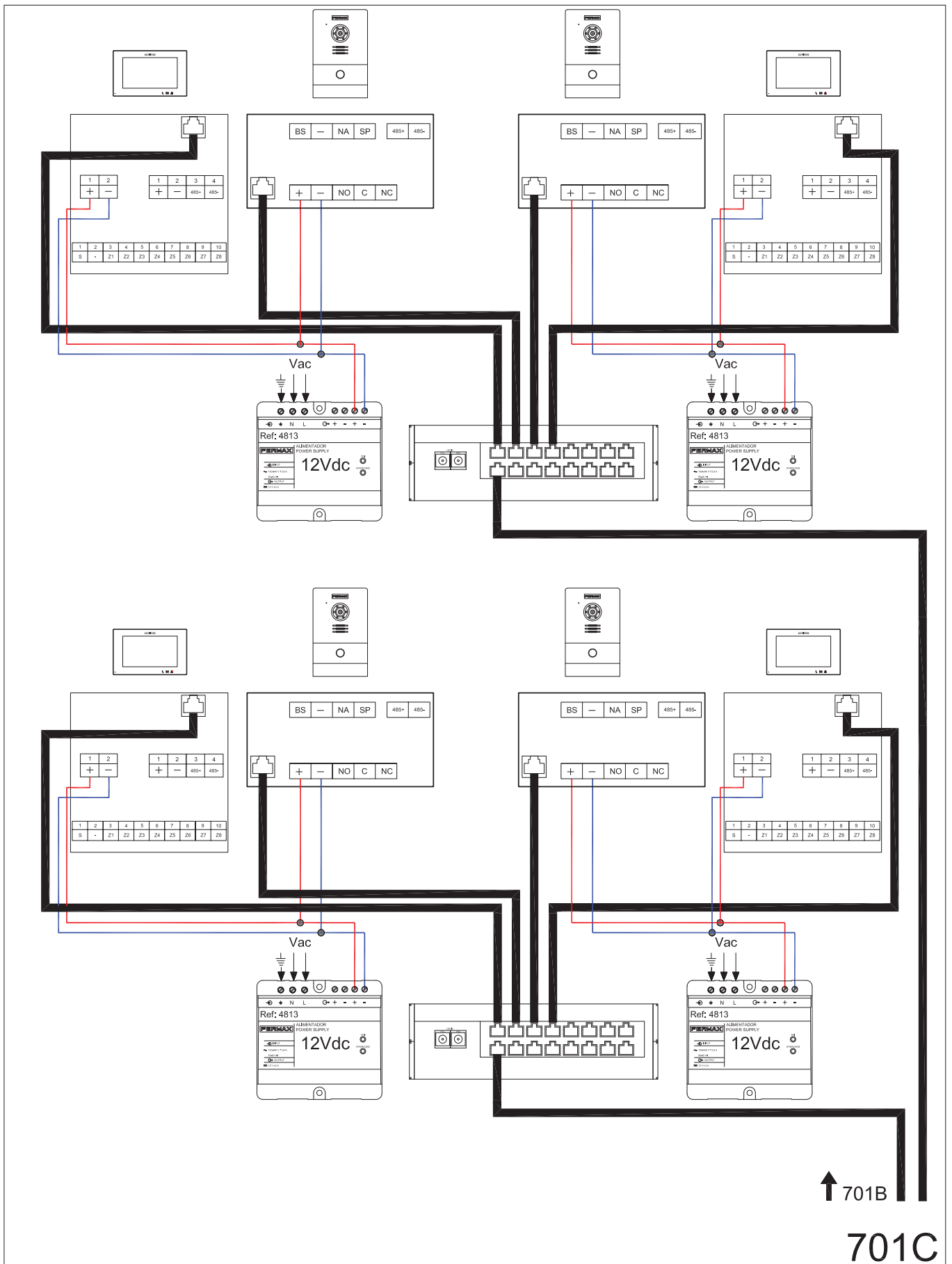
701B - WIRING DIAGRAM. Connection detail: Two 1W Outdoor Panels + Monitor per floor distribution.



**700: Guard Unit GENERAL ENTRANCE and PC Management Unit to offices: Two 1W Outdoor Panels + Monitor per floor distribution.**

**701: Non-PoE Devices (Panels & Monitors)**

**701C - WIRING DIAGRAM. Connection detail: Two 1W Outdoor Panels + Monitor per floor distribution.**

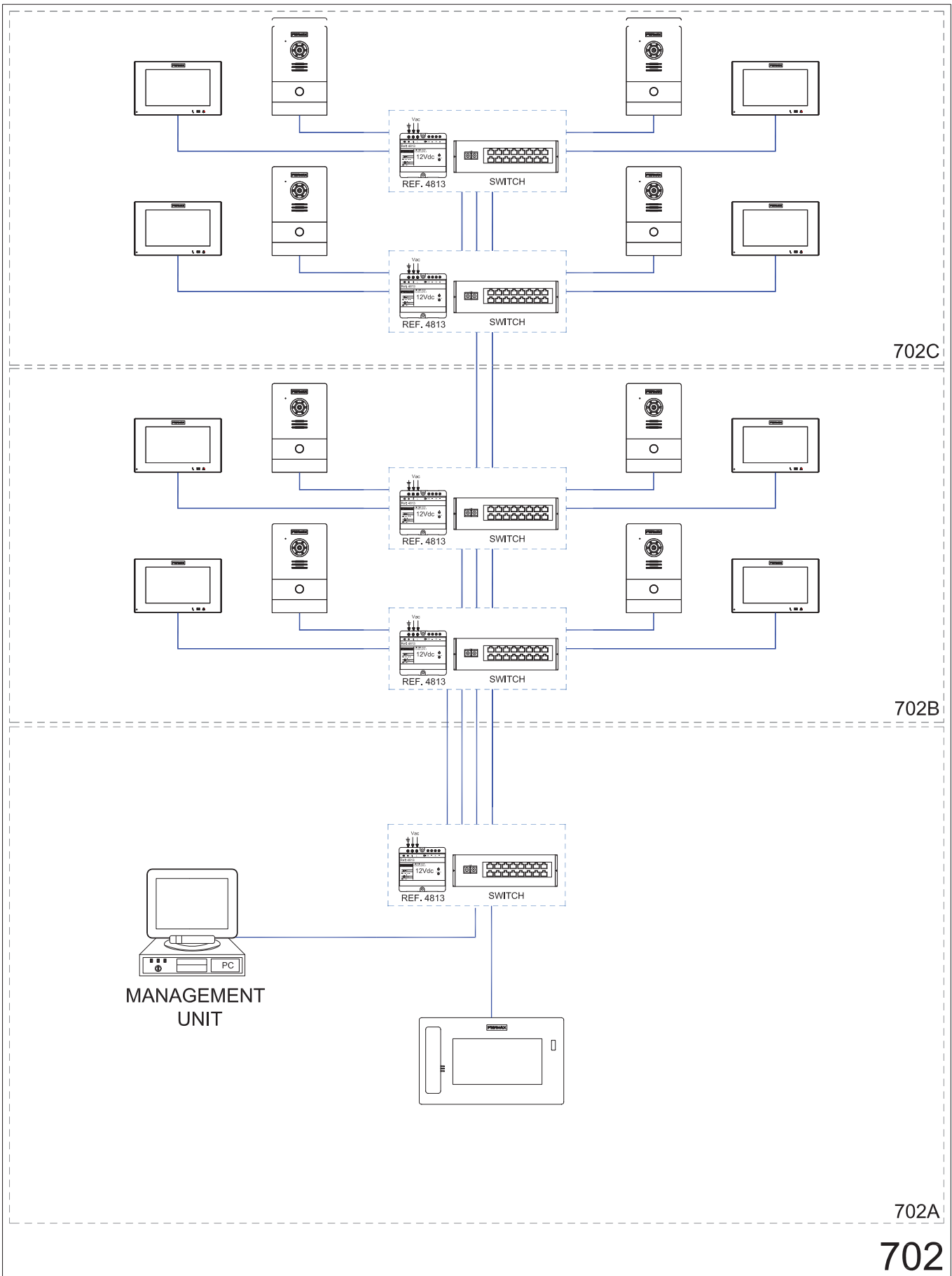


700: Guard Unit GENERAL ENTRANCE and PC Management Unit to offices: Two 1W Outdoor Panels + Monitor per floor distribution.

702: All PoE Devices (Panels & Monitors).

(Note: 1W Outdoor Panel and Guard Unit are Non-PoE Devices)

702 - SINGLE-LINE DIAGRAM.



702C

702B

702A

702

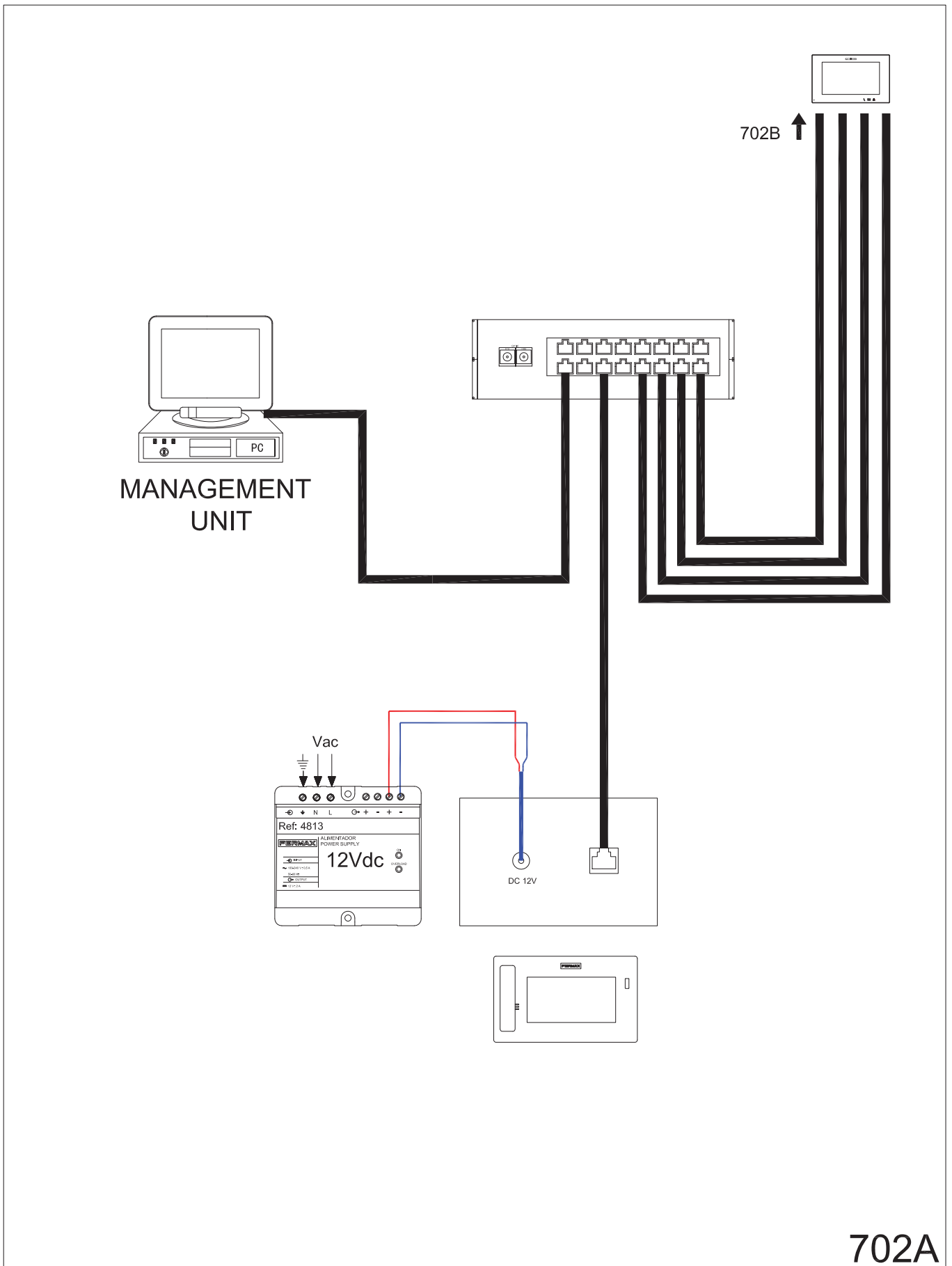
MANAGEMENT  
UNIT

**700: Guard Unit GENERAL ENTRANCE and PC Management Unit to offices: Two 1W Outdoor Panels + Monitor per floor distribution.**

**702: All PoE Devices (Panels & Monitors).**

(Note: 1W Outdoor Panel and Guard Unit are Non-PoE Devices)

702A - WIRING DIAGRAM. Connection detail: Outdoor panels + PC Management Unit.



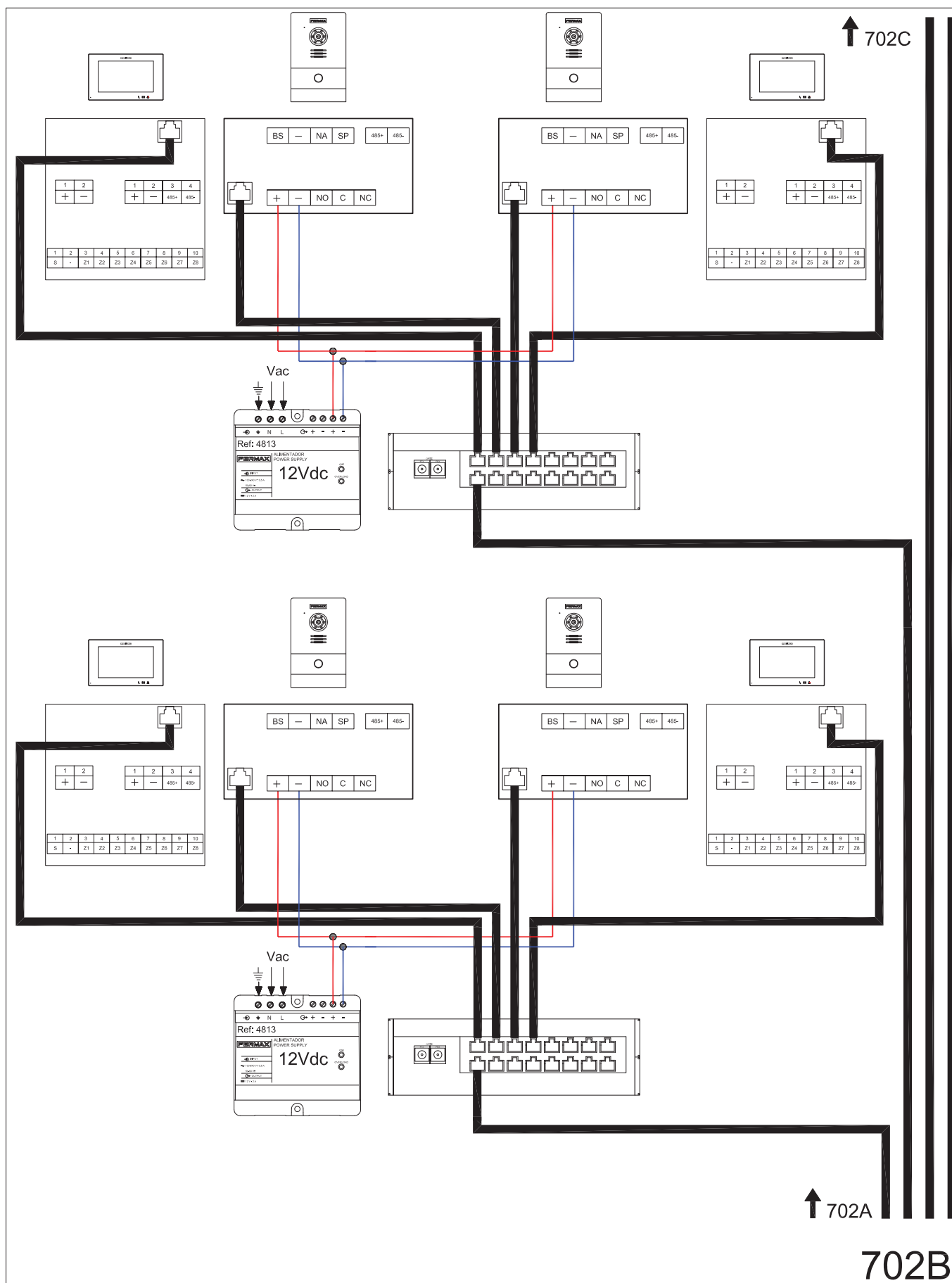
702A

**700: Guard Unit GENERAL ENTRANCE and PC Management Unit to offices: Two 1W Outdoor Panels + Monitor per floor distribution.**

**702: All PoE Devices (Panels & Monitors).**

(Note: 1W Outdoor Panel and Guard Unit are Non-PoE Devices)

702B - WIRING DIAGRAM. Connection detail: Two 1W Outdoor Panels + Monitor per floor distribution.



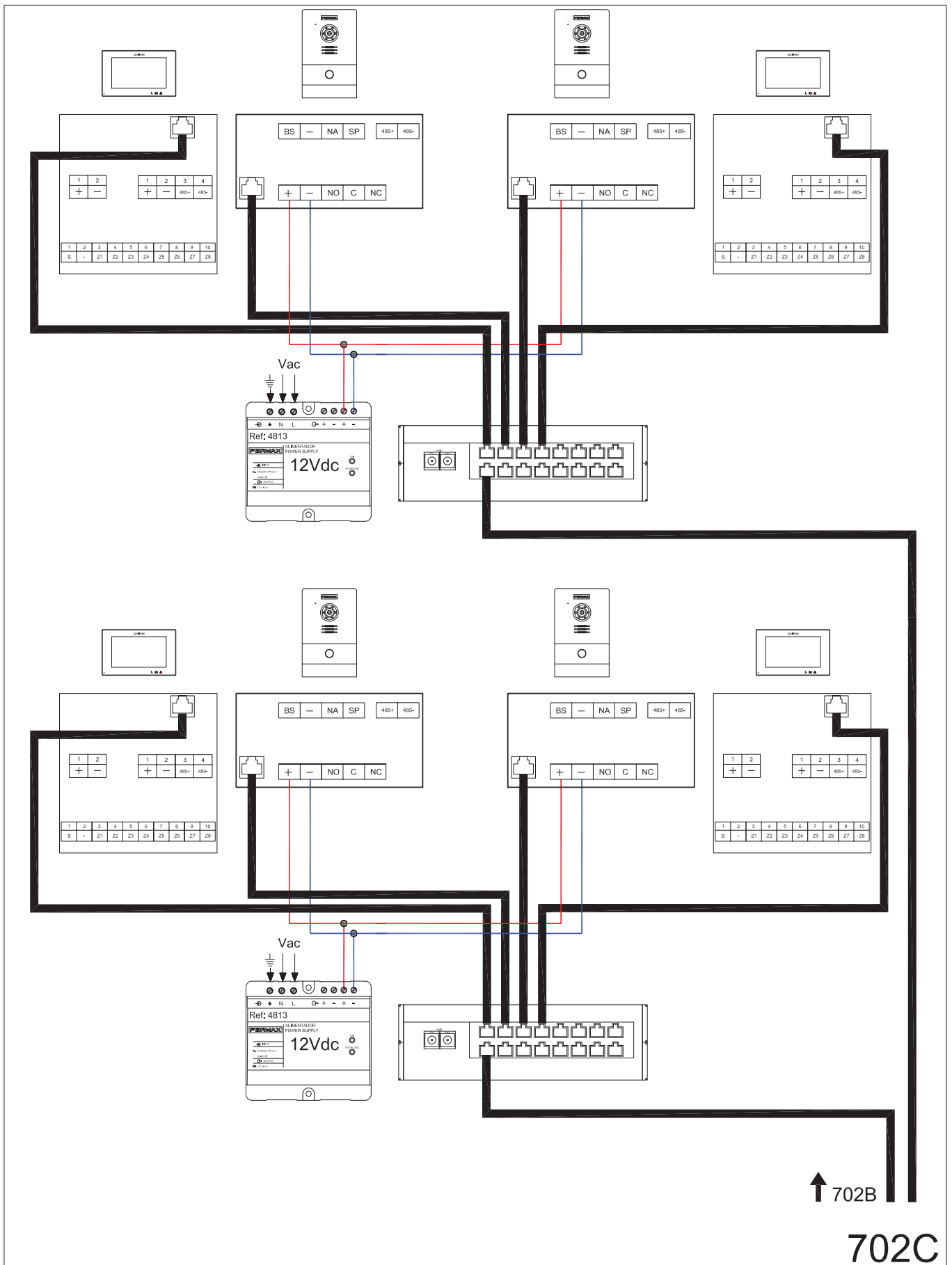


**700: Guard Unit GENERAL ENTRANCE and PC Management Unit to offices: Two 1W Outdoor Panels + Monitor per floor distribution.**

**702: All PoE Devices (Panels & Monitors).**

(Note: 1W Outdoor Panel and Guard Unit are Non-PoE Devices)

**702C - WIRING DIAGRAM. Connection detail: Two 1W Outdoor Panels + Monitor per floor distribution.**









Avd. Tres Cruces, 133  
46017 Valencia  
Spain